



Parts Index 2025

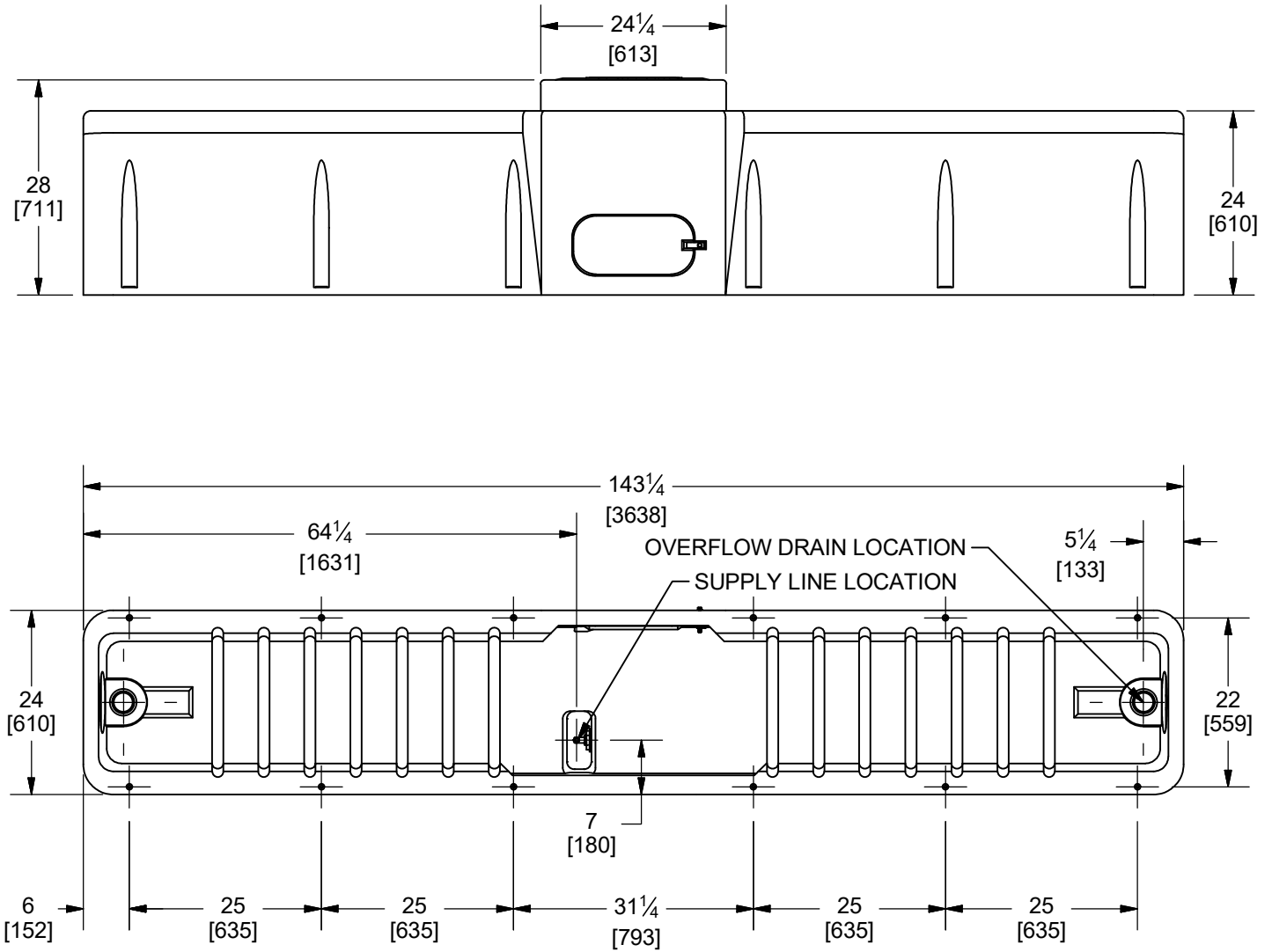
Description	Pg.	Description	Pg.
General Information		Classic Equine by Ritchie	
Ritchie Part Index	1	EZFount	80
Ritchie Spare Part Quick Guide	2	AUTOFount	81
Overall Dimensions of Units	3-41	AUTOFount 1	82
Electrical Components	42	ULTRAFount	83
Typical Ritchie Wiring Guide	43	ULTRAFount 1	84
3/4" Valve Configuration	44-45	Equine StallFount	85
1/2" Valve Configurations	46		
Common Parts	47	EcoFount	
Supply Hose Assemblies	48	EcoFount 2	86
		EcoFount 1	87
WaterMaster		StallFount	
WaterMaster 1200	49	StallFount 125 - Electric	88
WaterMaster 600	50	StallFount - Unheated	89
WaterMaster 96	51		
WaterMaster 90	52	Misc. Units	
WaterMaster 54	53	Stock Tank Valve	90
WaterMaster 54D	54		
WaterMaster 800	55	Discontinued Units	91
		Obsolete Components	92
WaterMatic		Misc. Units	
WaterMatic 1000	56	Ritchie Gas Burner	93
WaterMatic 300	57	3/4" Valve Configurations	94
WaterMatic 150-S	58	Omni Combination Conversion (Disc. 07/2022)	95
WaterMatic 150	59		
WaterMatic 100	60	StallFount	
		StallFount II	96
Thrifty King CT		Cattle & Combination Fountain	
Thrifty King CT6	61	#5 Electric Cattle Fountain (Disc. 01/2013)	97
Thrifty King CT4-2000	62	#3 Electric Cattle Fountain (Disc. 01/2013)	98
Thrifty King CT2-2000	63	#3 Electric Combination Fountain (Disc. 01/2013)	99
Thrifty King CT1-2000	64		
OmniFount		AC Series Fountain	
OmniFount 10	65	2AC (Disc. 01/2013)	100
OmniFount 5	66	2AC Special (Disc. 01/2013)	101
OmniFount 3	67	1AC (Disc. 01/2013)	102
OmniFount 2	68		
OmniFount 2 SP	69	Thrifty King for Swine	
OmniFount 1	70	Thrifty King HG4 (Disc. 07/2022)	103
		Thrifty King HG2 (Disc. 07/2022)	104
OmniMaster		Pork King	
OmniMaster 8	71	Pork King 4 (Disc. 07/2022)	105
		Pork King 2-1 (Disc. 07/2022)	106
CattleMaster		Pork King 2 (Disc. 07/2022)	107
CattleMaster 10T	72	Pork King 1 (Disc. 07/2022)	108
CattleMaster 1440	73		
CattleMaster 840	74		
CattleMaster 480	75		
CattleMaster Constant Flow	76		
Genesis Series			
Genesis G-1	77		
Genesis G-2	78		
Genesis GC-2	79		

Ritchie Spare Parts Quick Guide

	Valve Assemblies for different pressures (Valve assembled standard in bold)				Drain Plug	Thermostat	120 Volt		240 Volt				
	Low <i>White</i>	Medium <i>Red</i>	High <i>Green</i>	HP 3/4" <i>Yellow</i>			Float with Hardware	Hardware for Float	Heater	Supply Line Heater	Heater	Supply Line Heater	
WaterMaster Family													
WM1200, WM600, WM800, WM96, WM90, WM54, WM54D	16697	11101	15377	18832	18835	18834	18470	16311	16276	17960	16713		
WaterMatic Family													
300, 1000	16697	11101	15377	18832	18835	18834	18470	16311	16276	17960	16713		
100, 150, 150S	12574	12575	13597		13613		18470	16311	16276	17960	16713		
Thrifty King													
CT6, CT4-2000, CT2-2000	16697	11101	15377	18832	18835	18834	18849	16311	16276	17960	16713		
CT1-2000	12574	12575	13597		13613		18849	16311	16276	17960	16713		
OmniFount													
Omni 3, Omni 5, Omni 10	16697	11101	15377	18832	18314	18313	18628	11419	13830	11403	16424		
Omni 1, Omni 2, Omni 2 SP	12574	12575	13597		13613		18628	14150	13830	16664	16424		
OmniMaster													
OM8	16697	11101	15377	18832	18835	18834	18849	11419	13830	11403	16424		
CattleMaster													
CM1440, CM840, CM480, CM10T	16697	11101	15377	18832	18835	18834	18849	11419	13830	11403	16424		
Genesis Series													
G-1, G-2	12574	12575	13597		13613		18849	16311	16276	17960	16713		
GC-2				18832	18835	18834	18470	16311	16276	17960	16713		
Classic Equine by Ritchie													
EZFount	12574	12575	13597		13613		18849						
AUTOFount, AUTOFount 1	12574	12575	13597		13613		18470	16311	16276	17960	16713		
ULTRAFount, ULTRAFount 1	12574	12575	13597		13613		18628	14150	13830	16664	16424		
Equine STALLFount	12574	12575	13597		18642		18643	14150	13830	16664	16424		
EcoFount Series													
EcoFount 1, EcoFount 2	12574	12575	13597		13613		14647	14150	13830	16664	16424		
Stall Founts													
Stall Fount	12574	12575	13597		13613		18221						
Stall Fount 125	12574	12575	13597		13613		18221	11885	13830	16664	16424		

WATERMASTER 1200

OVERALL DIMENSIONS

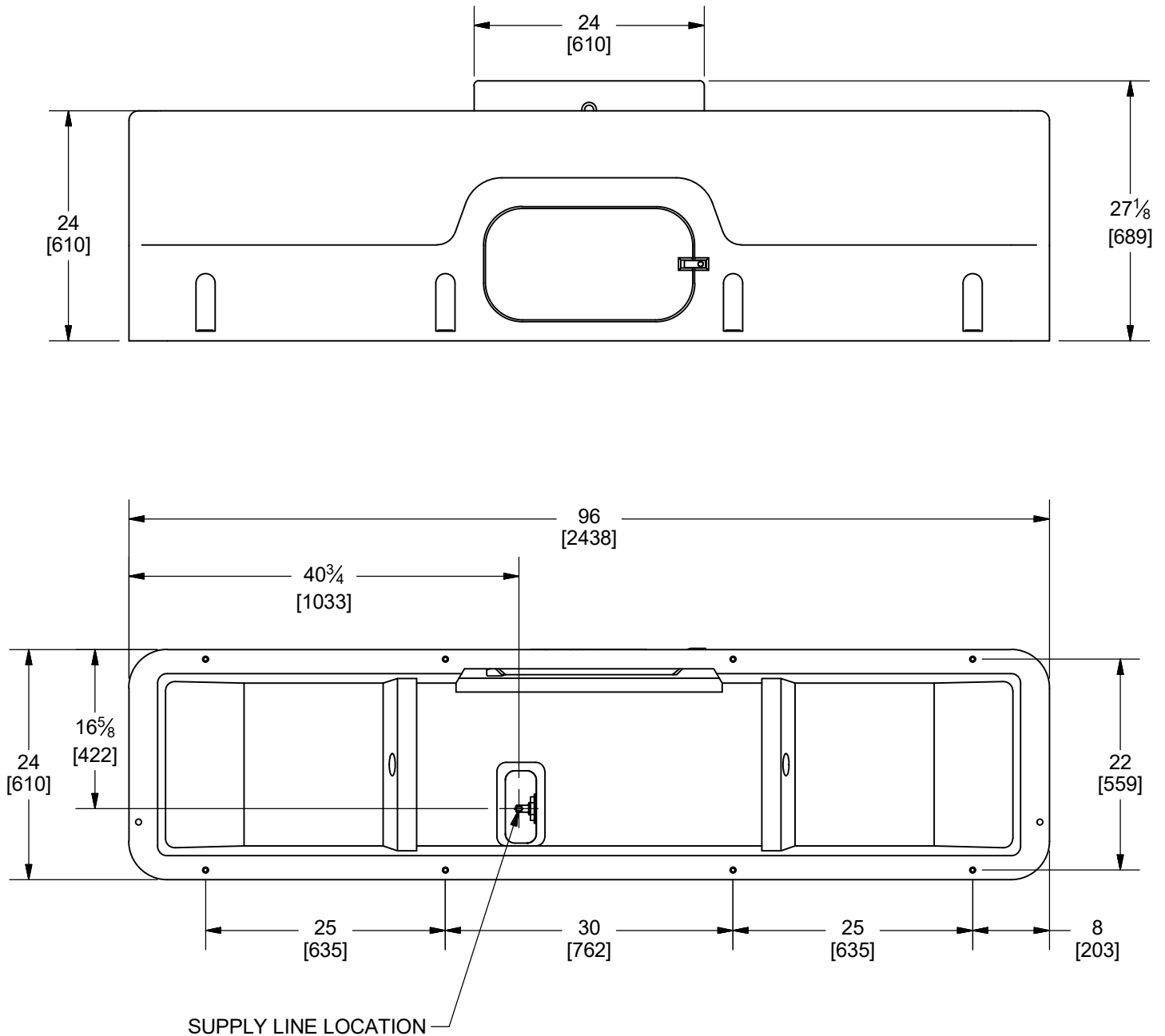


NOTE:

MOUNTING HOLE LOCATIONS ARE APPROXIMATE. DUE TO VARIATIONS IN MOLDING PROCESS, IT IS NOT RECOMMENDED TO USE THIS DRAWING FOR LOCATING CONCRETE ANCHORS. IT IS RECOMMENDED TO WAIT UNTIL UNIT IS AVAILABLE FOR MEASUREMENT.

WATERMASTER 800

OVERALL DIMENSIONS

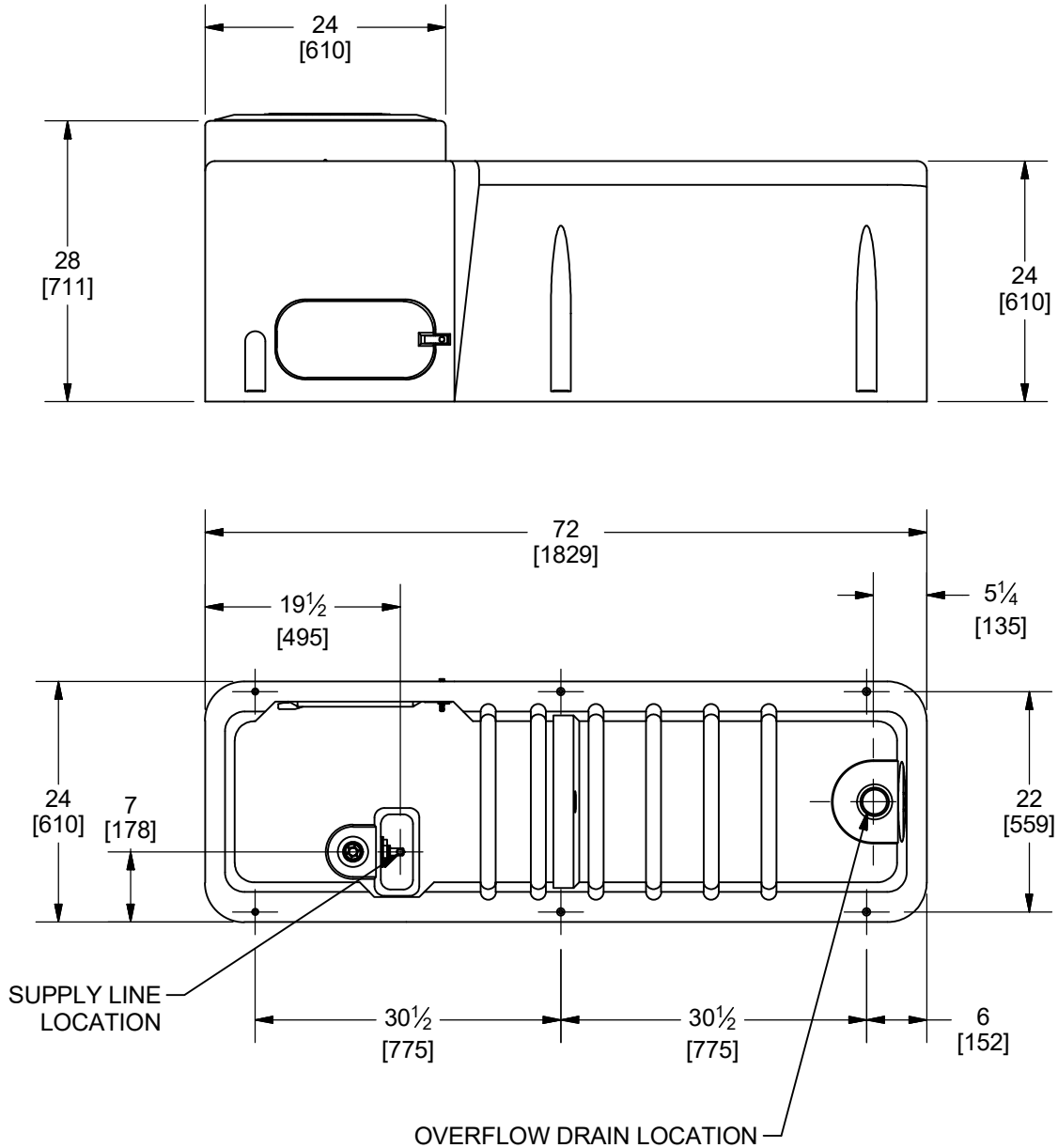


NOTE:

MOUNTING HOLE LOCATIONS ARE APPROXIMATE. DUE TO VARIATIONS IN MOLDING PROCESS, IT IS NOT RECOMMENDED TO USE THIS DRAWING FOR LOCATING CONCRETE ANCHORS. IT IS RECOMMENDED TO WAIT UNTIL UNIT IS AVAILABLE FOR MEASUREMENT.

WATERMASTER 600

OVERALL DIMENSIONS

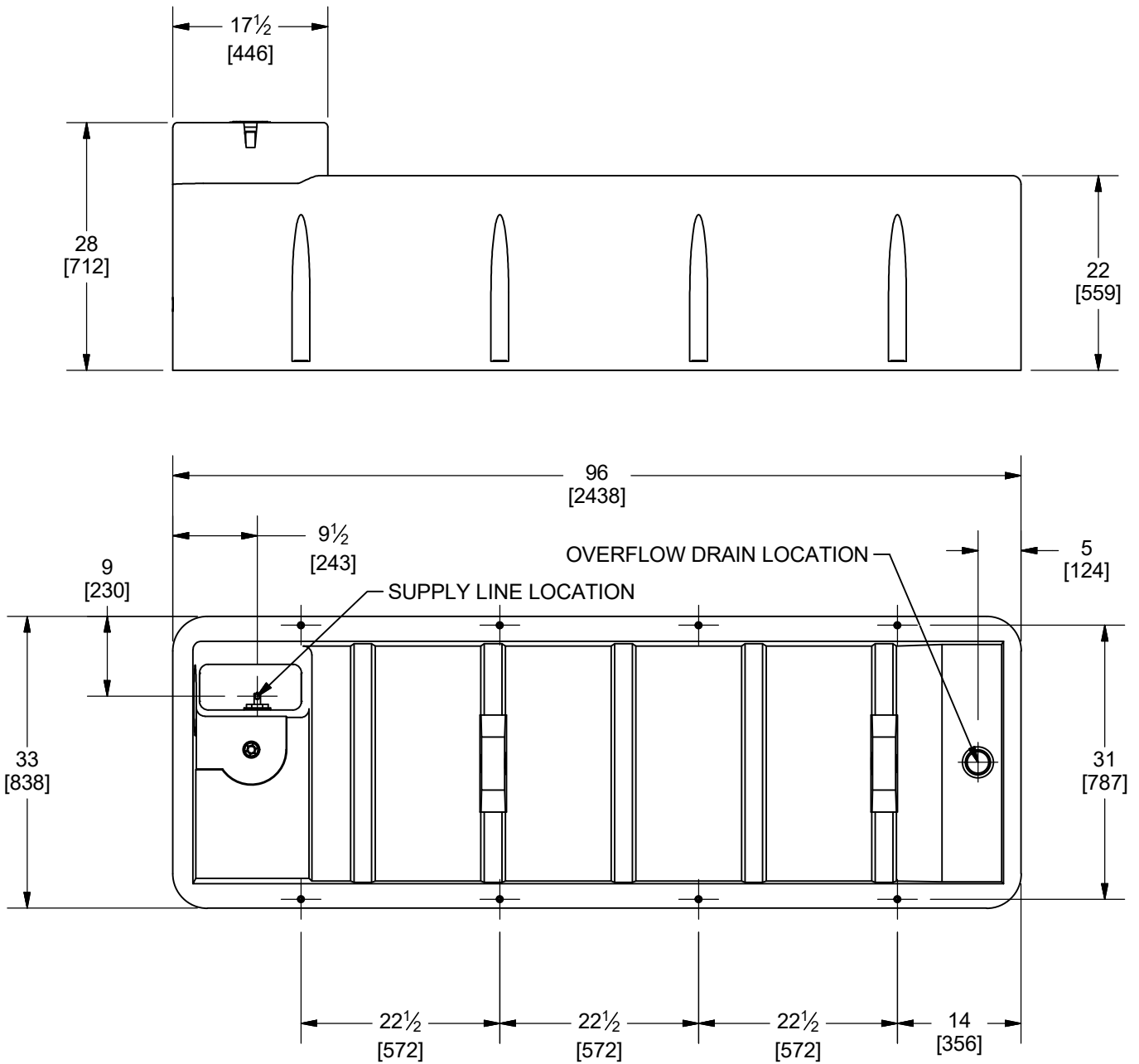


NOTE:

MOUNTING HOLE LOCATIONS ARE APPROXIMATE. DUE TO VARIATIONS IN MOLDING PROCESS, IT IS NOT RECOMMENDED TO USE THIS DRAWING FOR LOCATING CONCRETE ANCHORS. IT IS RECOMMENDED TO WAIT UNTIL UNIT IS AVAILABLE FOR MEASUREMENT.

WATERMASTER 96

OVERALL DIMENSIONS

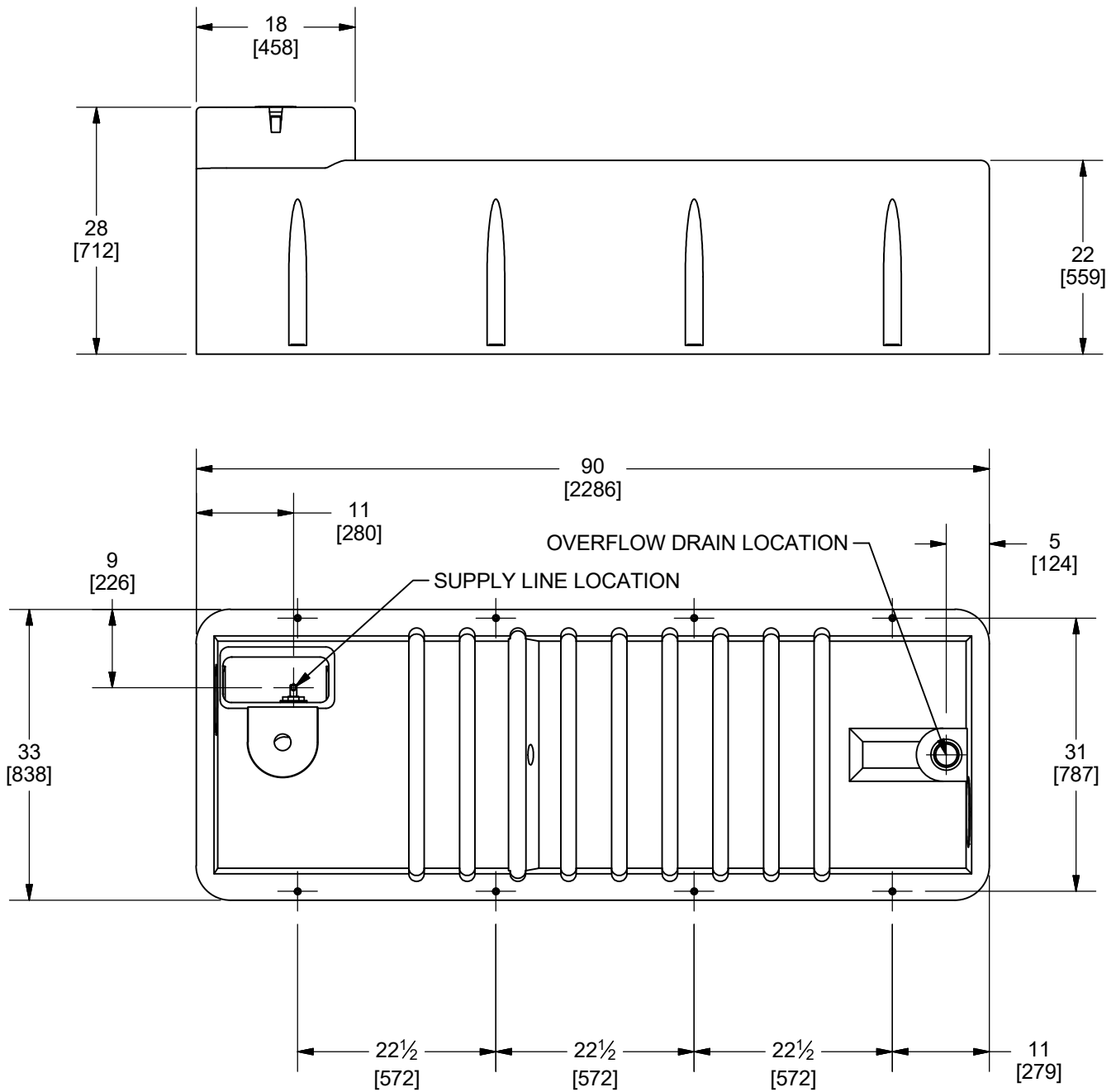


NOTE:

MOUNTING HOLE LOCATIONS ARE APPROXIMATE. DUE TO VARIATIONS IN MOLDING PROCESS, IT IS NOT RECOMMENDED TO USE THIS DRAWING FOR LOCATING CONCRETE ANCHORS. IT IS RECOMMENDED TO WAIT UNTIL UNIT IS AVAILABLE FOR MEASUREMENT.

WATERMASTER 90

OVERALL DIMENSIONS

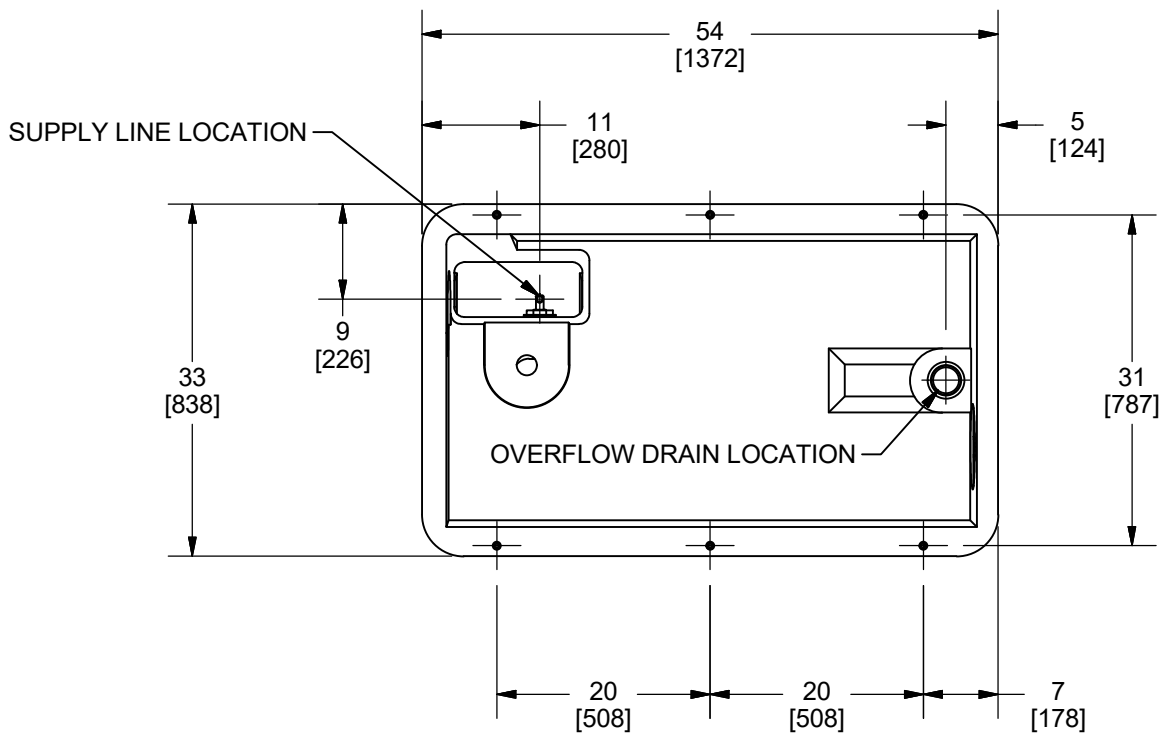
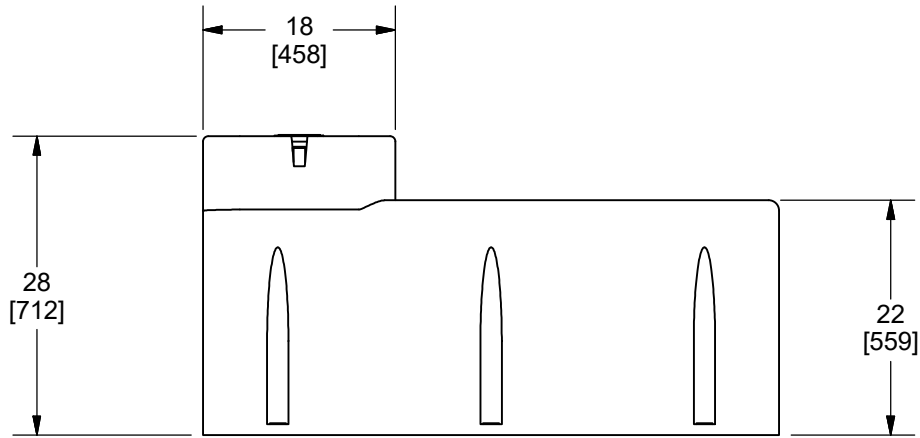


NOTE:

MOUNTING HOLE LOCATIONS ARE APPROXIMATE. DUE TO VARIATIONS IN MOLDING PROCESS, IT IS NOT RECOMMENDED TO USE THIS DRAWING FOR LOCATING CONCRETE ANCHORS. IT IS RECOMMENDED TO WAIT UNTIL UNIT IS AVAILABLE FOR MEASUREMENT.

WATERMASTER 54

OVERALL DIMENSIONS

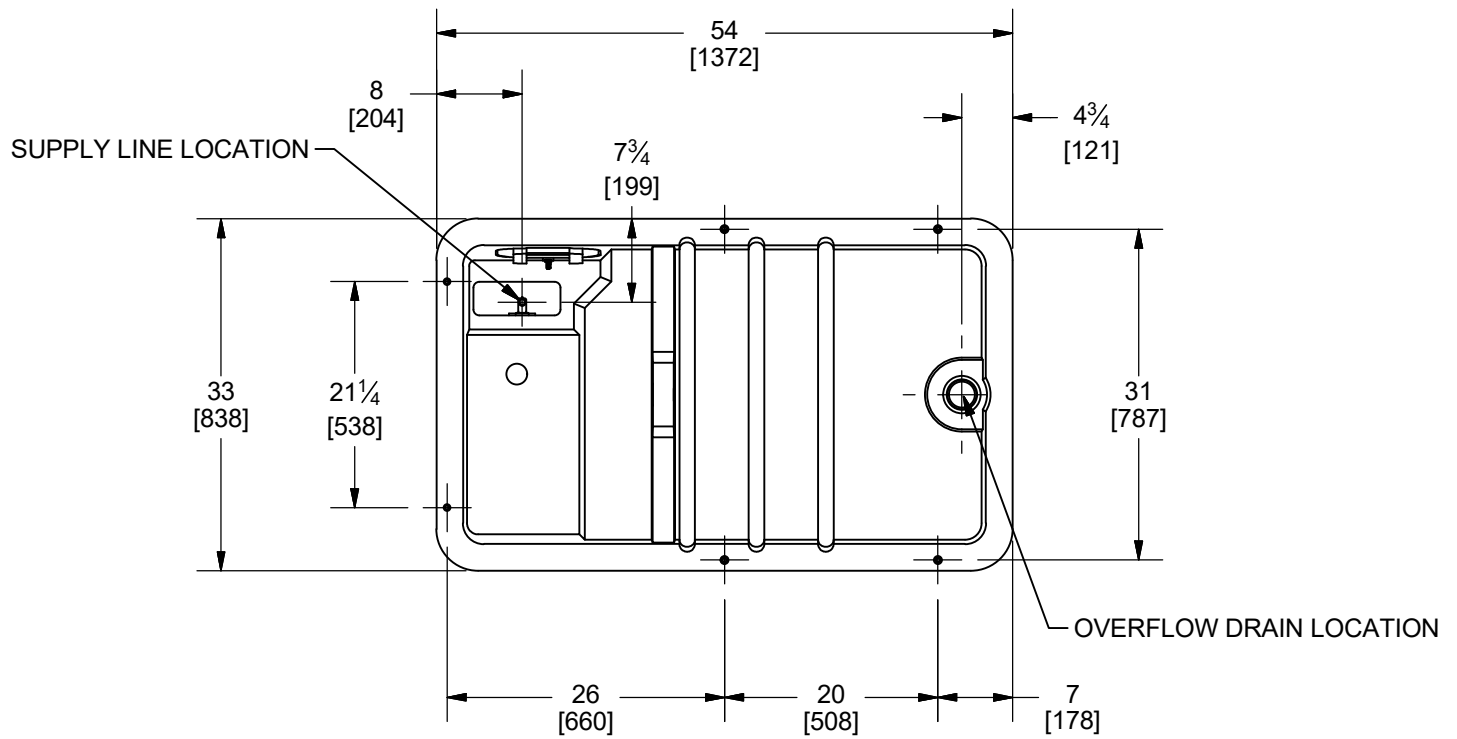
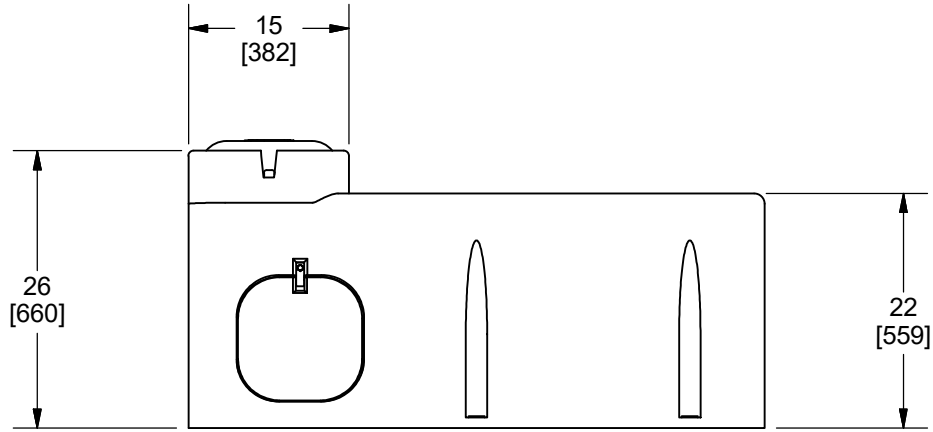


NOTE:

MOUNTING HOLE LOCATIONS ARE APPROXIMATE. DUE TO VARIATIONS IN MOLDING PROCESS, IT IS NOT RECOMMENDED TO USE THIS DRAWING FOR LOCATING CONCRETE ANCHORS. IT IS RECOMMENDED TO WAIT UNTIL UNIT IS AVAILABLE FOR MEASUREMENT.

WATERMASTER 54 DEEP

OVERALL DIMENSIONS

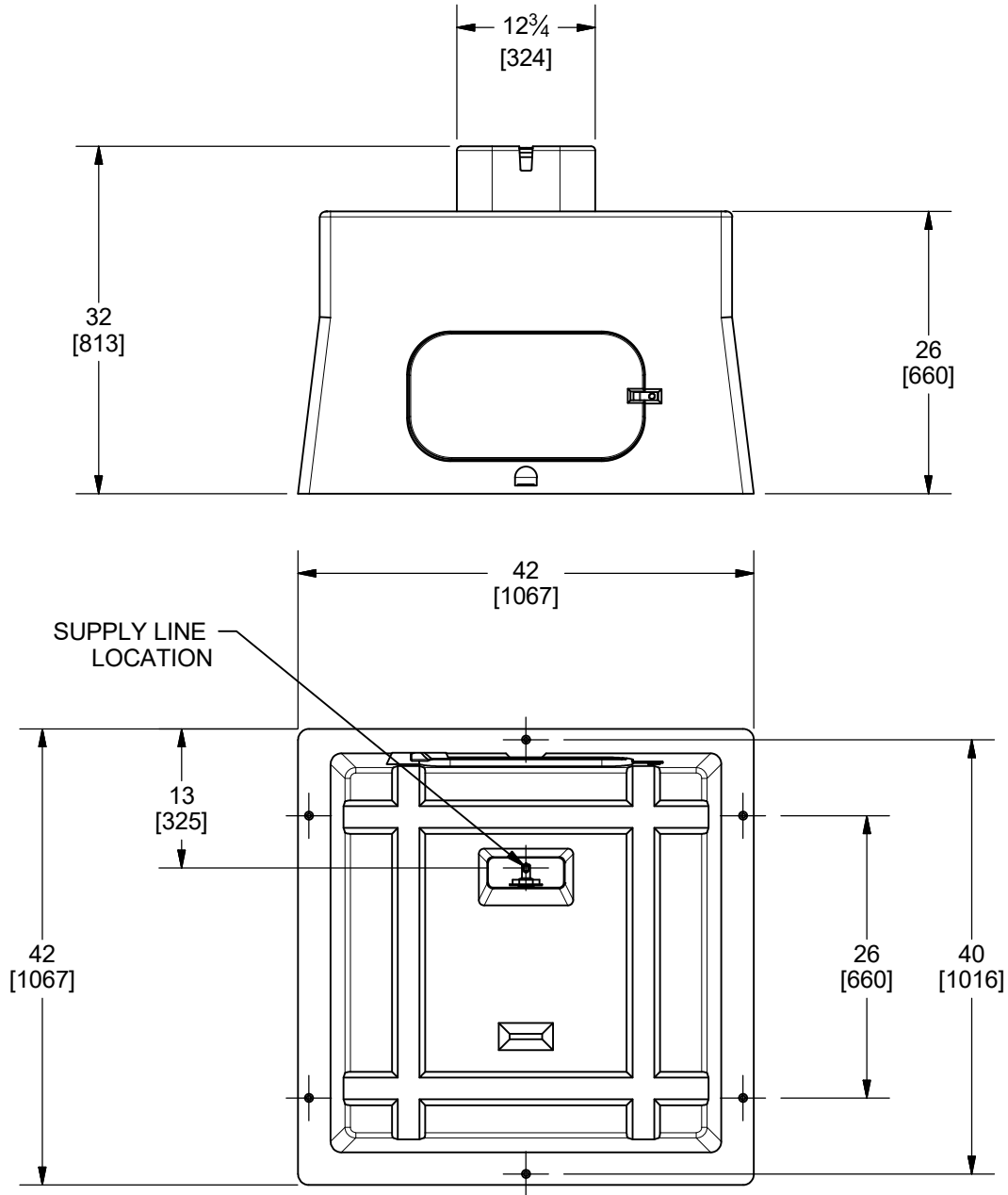


NOTE:

MOUNTING HOLE LOCATIONS ARE APPROXIMATE. DUE TO VARIATIONS IN MOLDING PROCESS, IT IS NOT RECOMMENDED TO USE THIS DRAWING FOR LOCATING CONCRETE ANCHORS. IT IS RECOMMENDED TO WAIT UNTIL UNIT IS AVAILABLE FOR MEASUREMENT.

WATERMATIC 1000

OVERALL DIMENSIONS

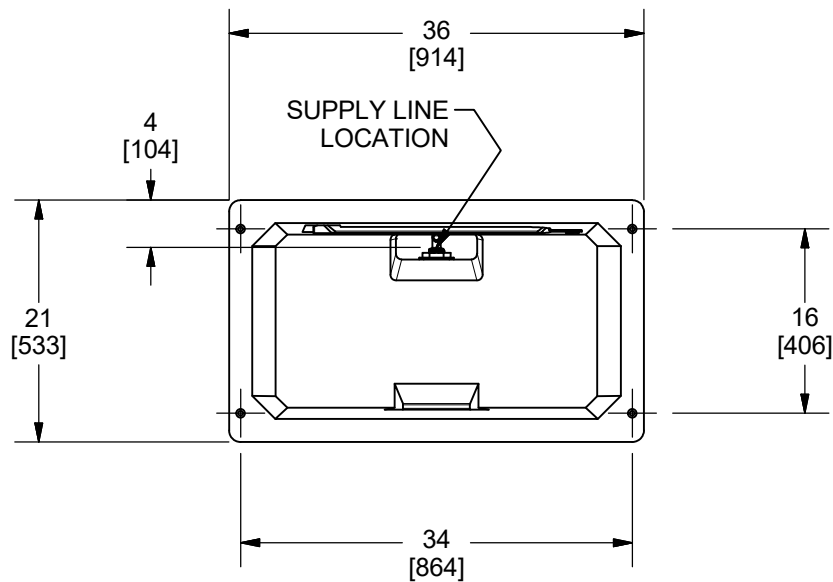
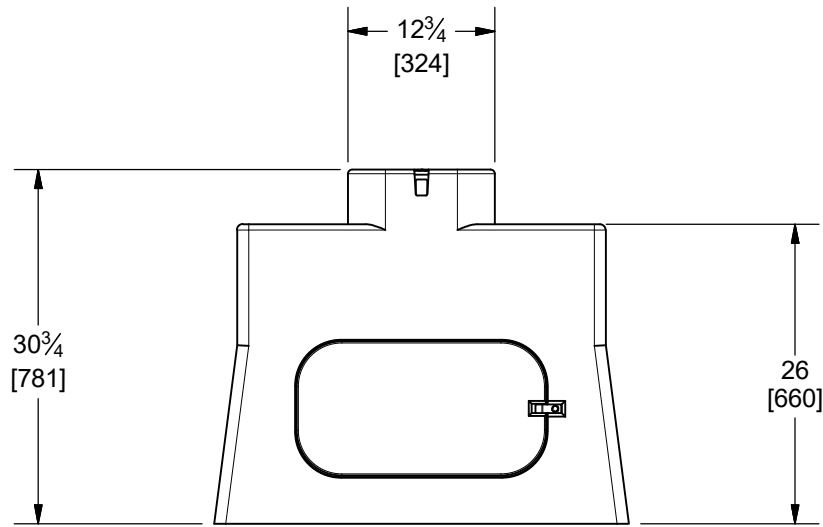


NOTE:

MOUNTING HOLE LOCATIONS ARE APPROXIMATE. DUE TO VARIATIONS IN MOLDING PROCESS, IT IS NOT RECOMMENDED TO USE THIS DRAWING FOR LOCATING CONCRETE ANCHORS. IT IS RECOMMENDED TO WAIT UNTIL UNIT IS AVAILABLE FOR MEASUREMENT.

WATERMATIC 300

OVERALL DIMENSIONS

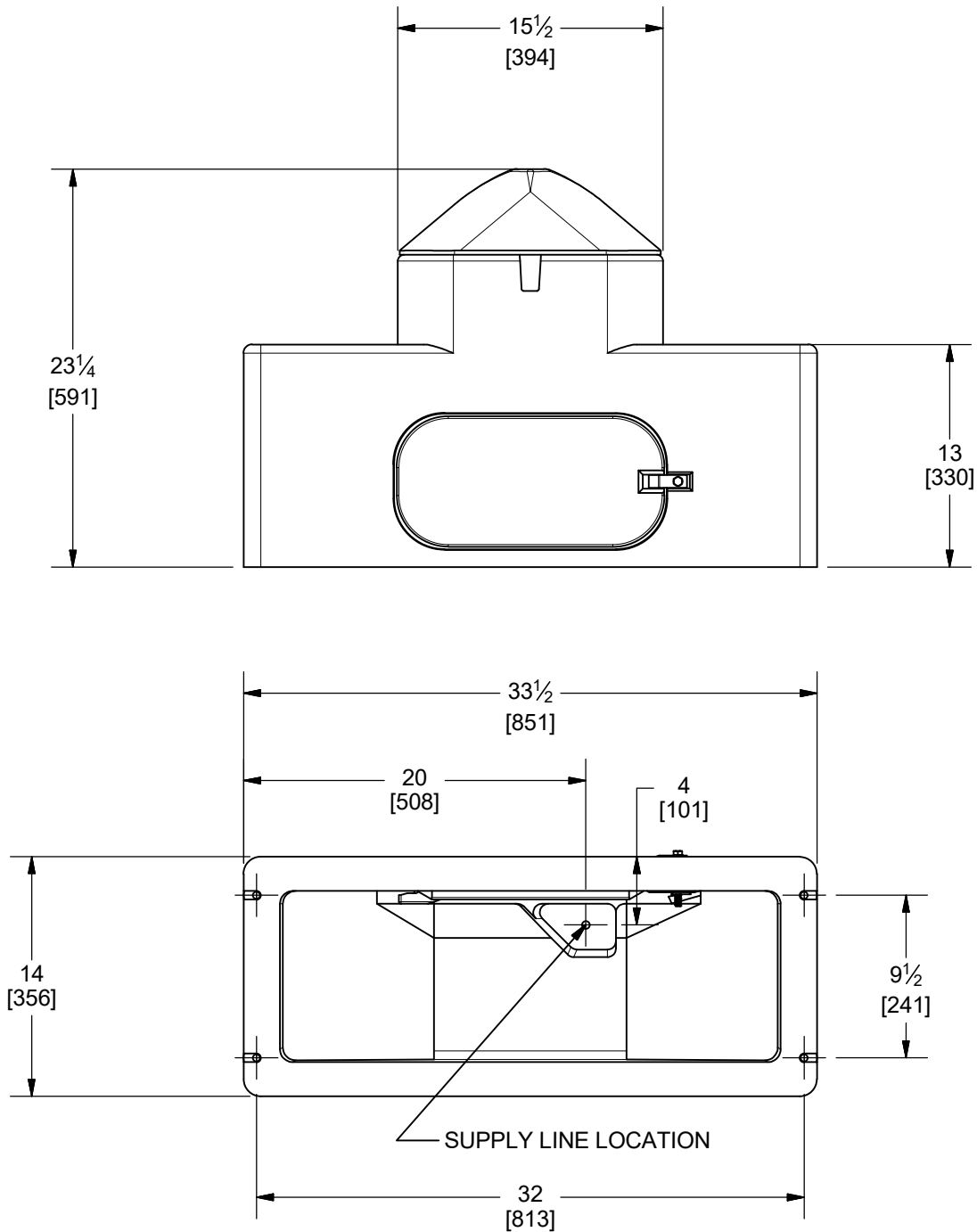


NOTE:

MOUNTING HOLE LOCATIONS ARE APPROXIMATE. DUE TO VARIATIONS IN MOLDING PROCESS, IT IS NOT RECOMMENDED TO USE THIS DRAWING FOR LOCATING CONCRETE ANCHORS. IT IS RECOMMENDED TO WAIT UNTIL UNIT IS AVAILABLE FOR MEASUREMENT.

WATERMATIC 150S

OVERALL DIMENSIONS

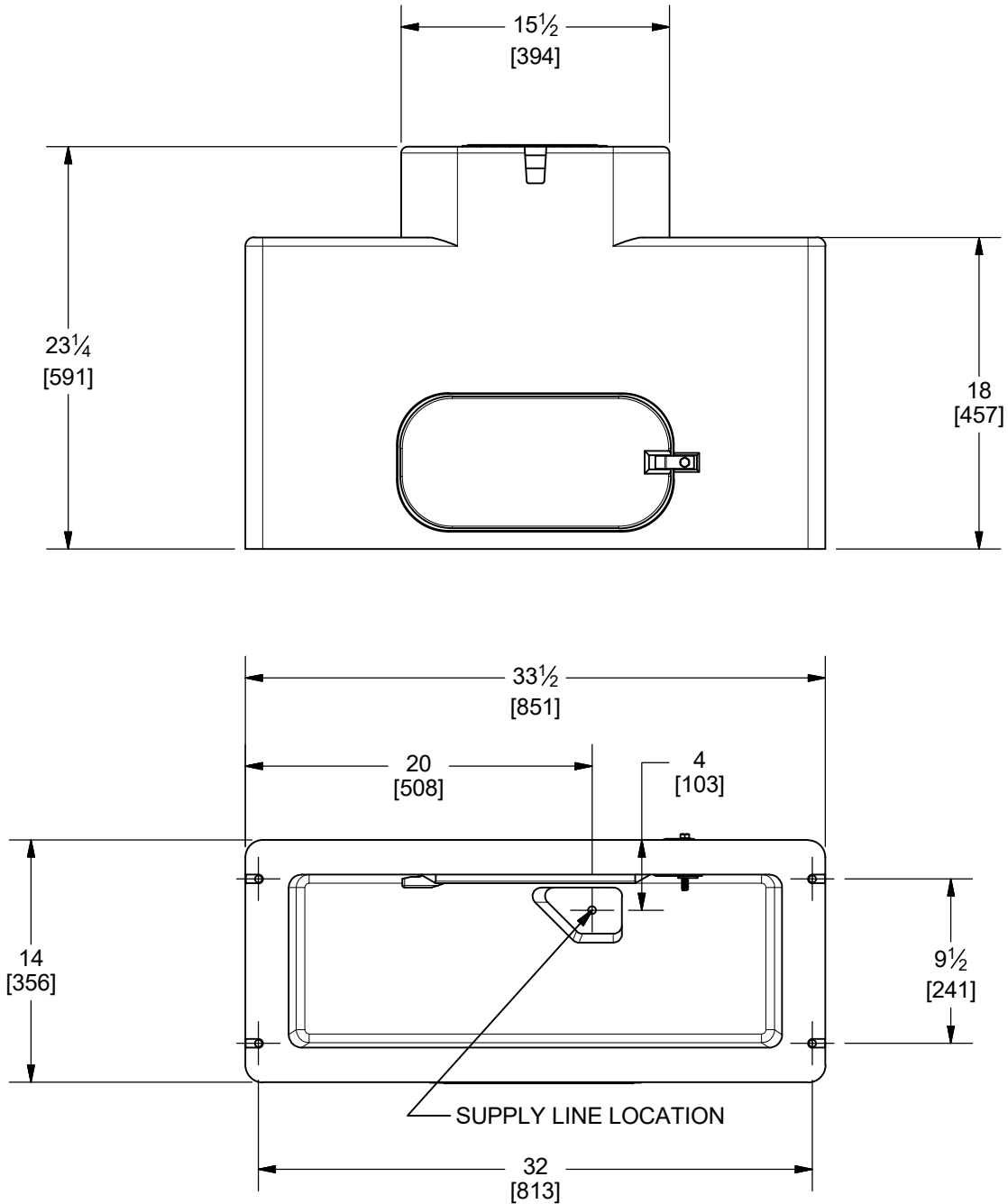


NOTE:

MOUNTING HOLE LOCATIONS ARE APPROXIMATE. DUE TO VARIATIONS IN MOLDING PROCESS, IT IS NOT RECOMMENDED TO USE THIS DRAWING FOR LOCATING CONCRETE ANCHORS. IT IS RECOMMENDED TO WAIT UNTIL UNIT IS AVAILABLE FOR MEASUREMENT.

WATERMATIC 150

OVERALL DIMENSIONS

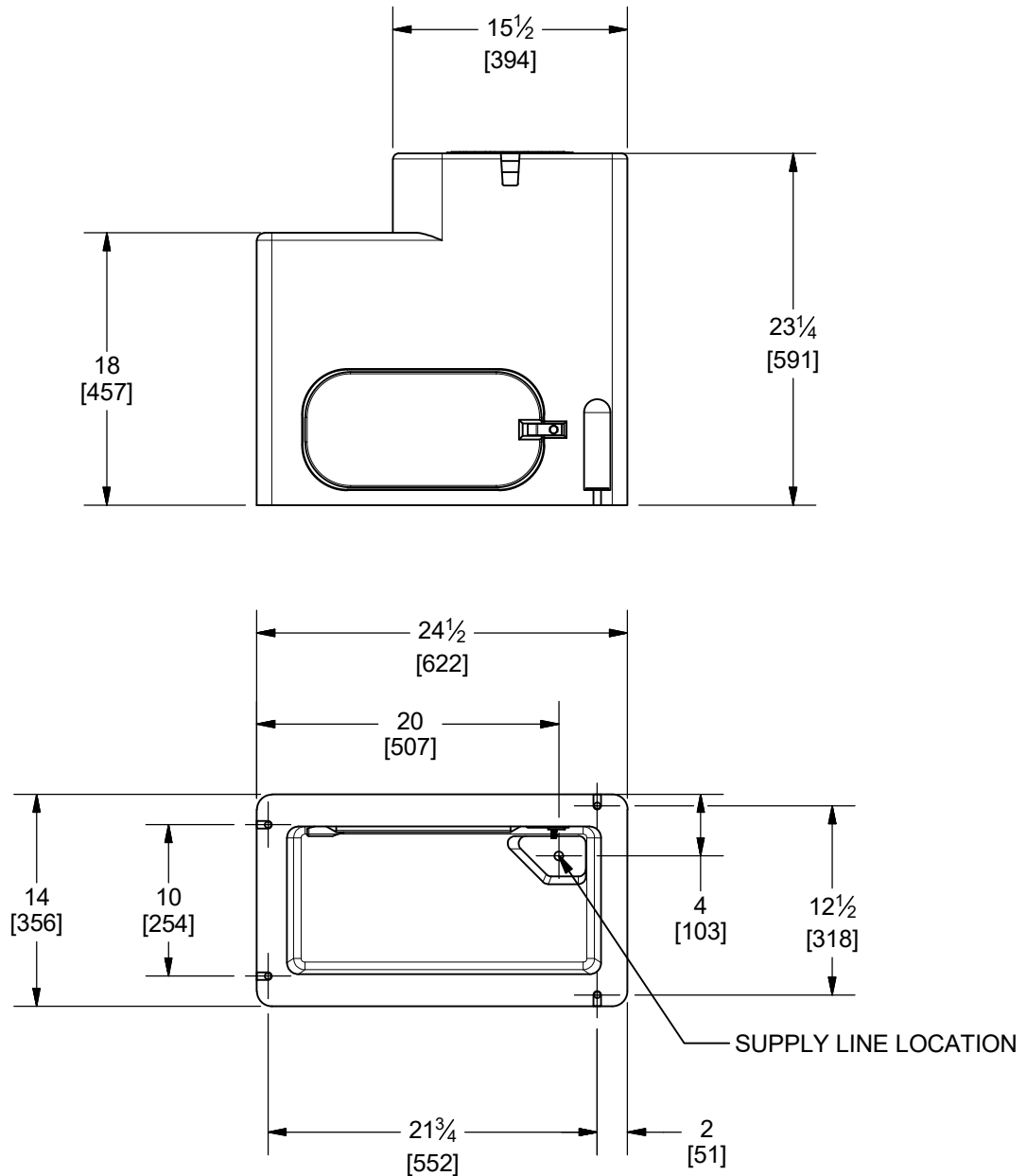


NOTE:

MOUNTING HOLE LOCATIONS ARE APPROXIMATE. DUE TO VARIATIONS IN MOLDING PROCESS, IT IS NOT RECOMMENDED TO USE THIS DRAWING FOR LOCATING CONCRETE ANCHORS. IT IS RECOMMENDED TO WAIT UNTIL UNIT IS AVAILABLE FOR MEASUREMENT.

WATERMATIC 100

OVERALL DIMENSIONS

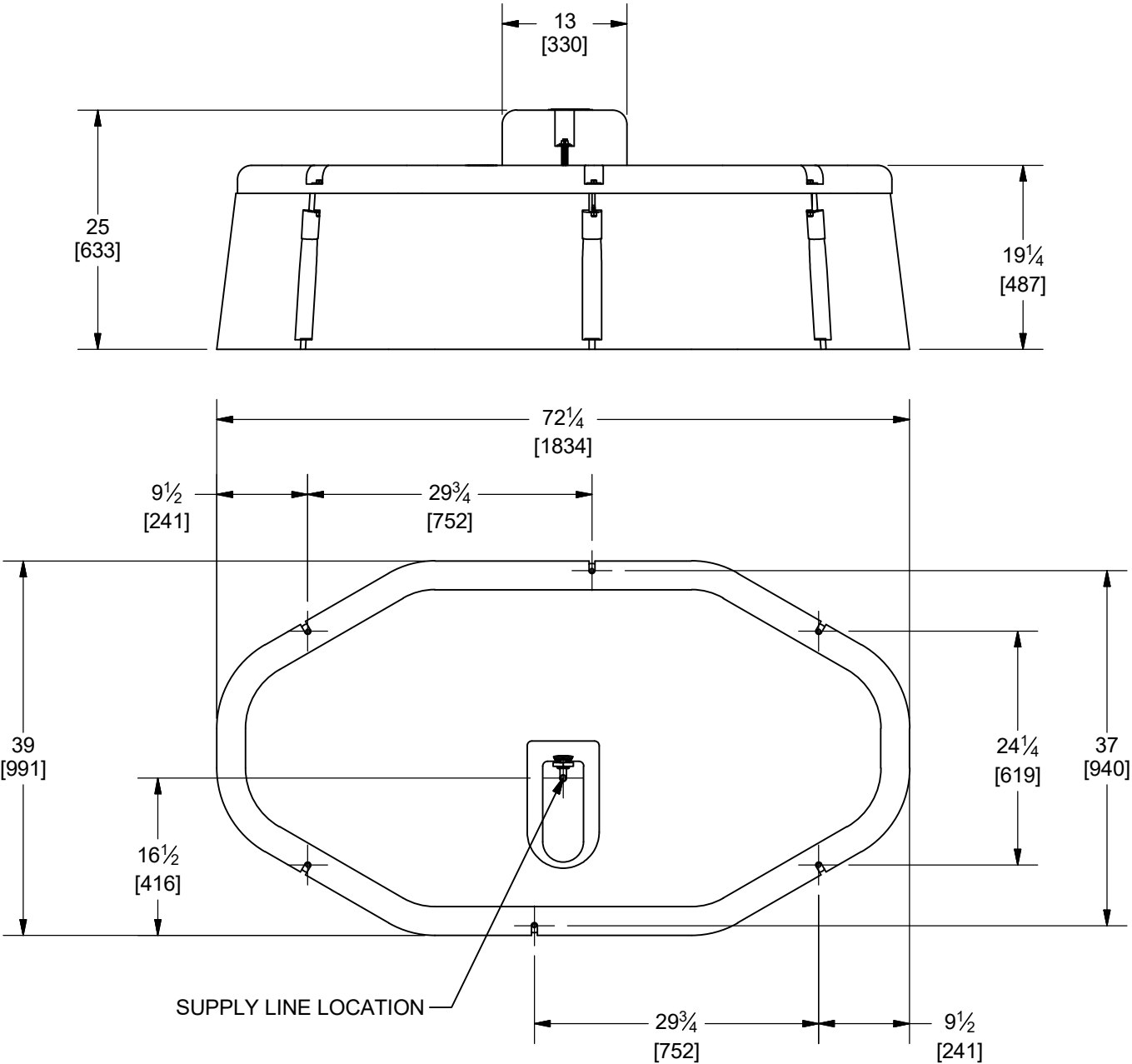


NOTE:

MOUNTING HOLE LOCATIONS ARE APPROXIMATE. DUE TO VARIATIONS IN MOLDING PROCESS, IT IS NOT RECOMMENDED TO USE THIS DRAWING FOR LOCATING CONCRETE ANCHORS. IT IS RECOMMENDED TO WAIT UNTIL UNIT IS AVAILABLE FOR MEASUREMENT.

THRIFTY KING CT 6

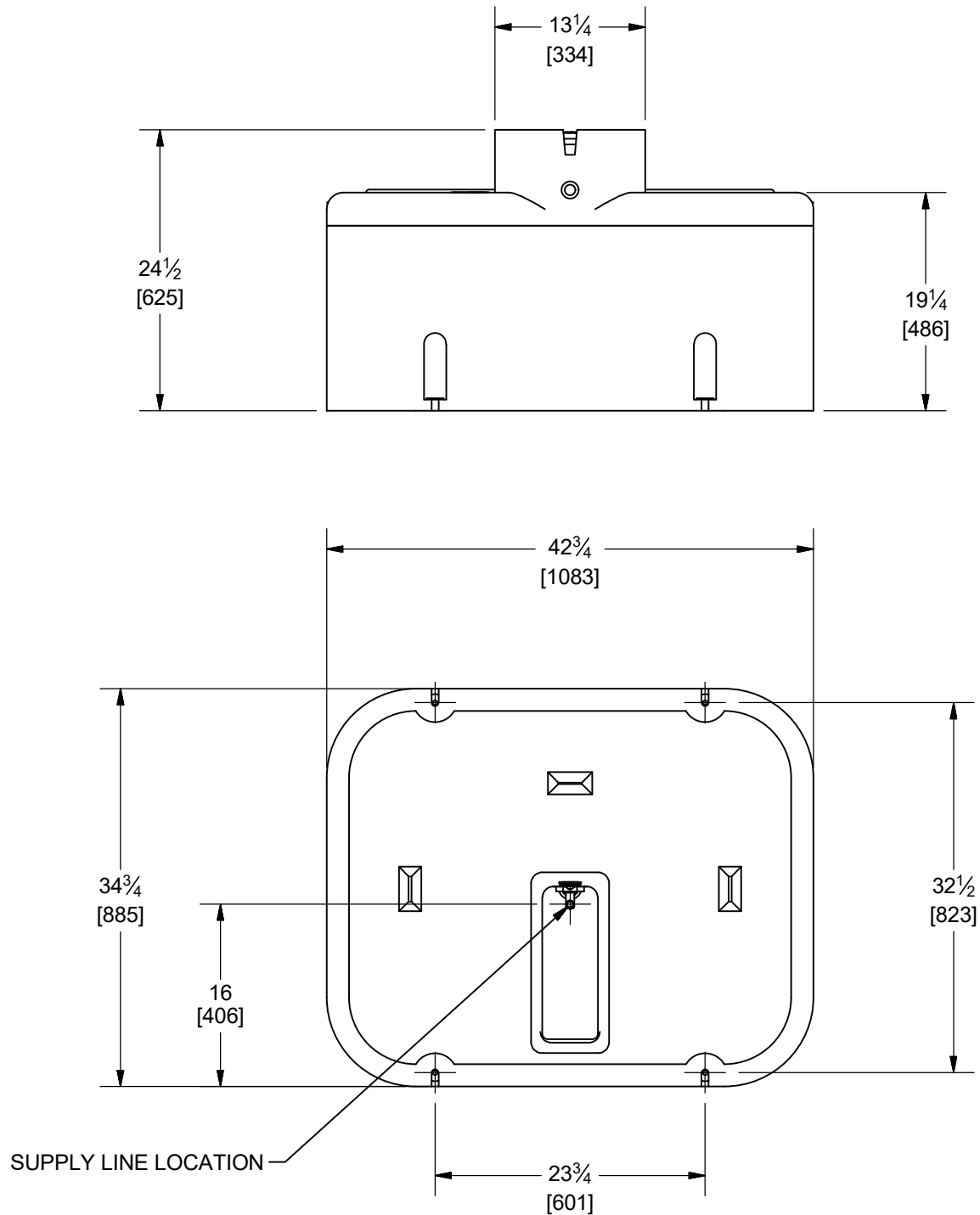
OVERALL DIMENSIONS



NOTE:
MOUNTING HOLE LOCATIONS ARE APPROXIMATE. DUE TO VARIATIONS IN MOLDING PROCESS, IT IS NOT RECOMMENDED TO USE THIS DRAWING FOR LOCATING CONCRETE ANCHORS. IT IS RECOMMENDED TO WAIT UNTIL UNIT IS AVAILABLE FOR MEASUREMENT.

THRIFTY KING CT 4

OVERALL DIMENSIONS

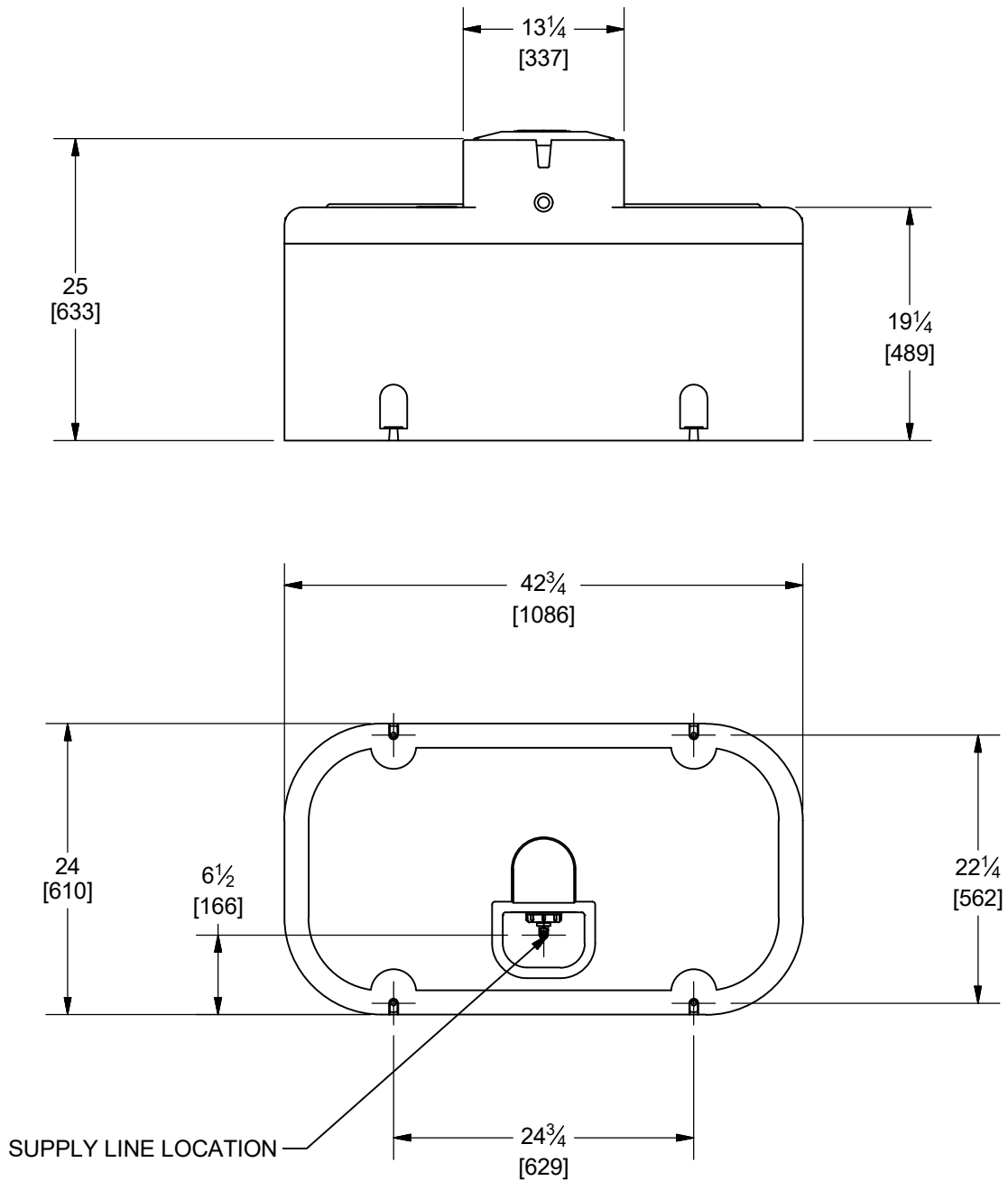


NOTE:

MOUNTING HOLE LOCATIONS ARE APPROXIMATE. DUE TO VARIATIONS IN MOLDING PROCESS, IT IS NOT RECOMMENDED TO USE THIS DRAWING FOR LOCATING CONCRETE ANCHORS. IT IS RECOMMENDED TO WAIT UNTIL UNIT IS AVAILABLE FOR MEASUREMENT.

THRIFTY KING CT 2

OVERALL DIMENSIONS

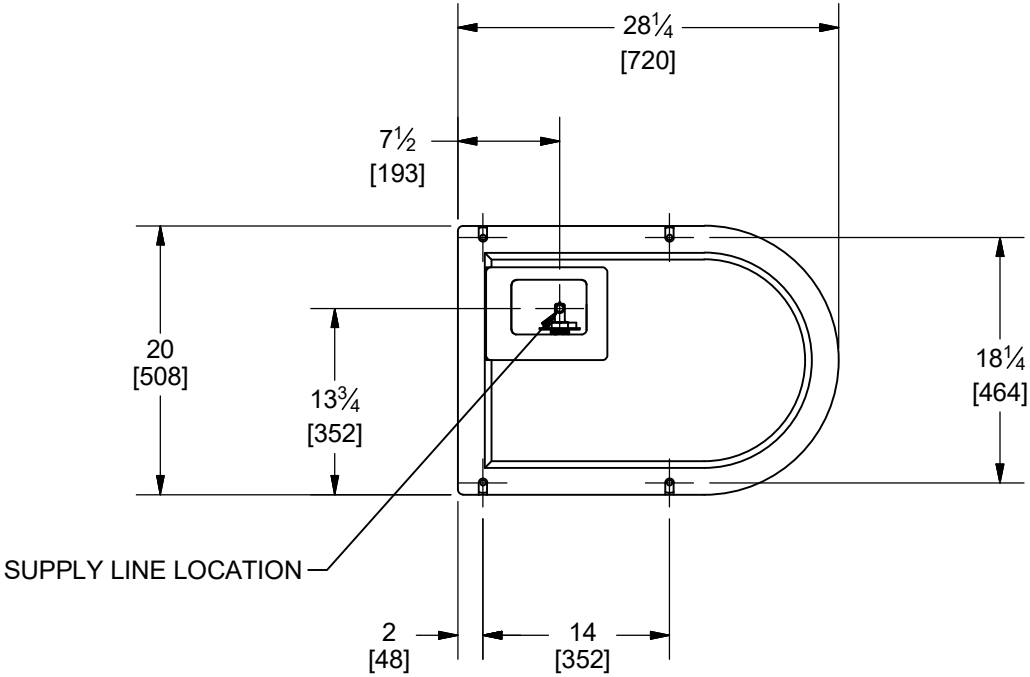
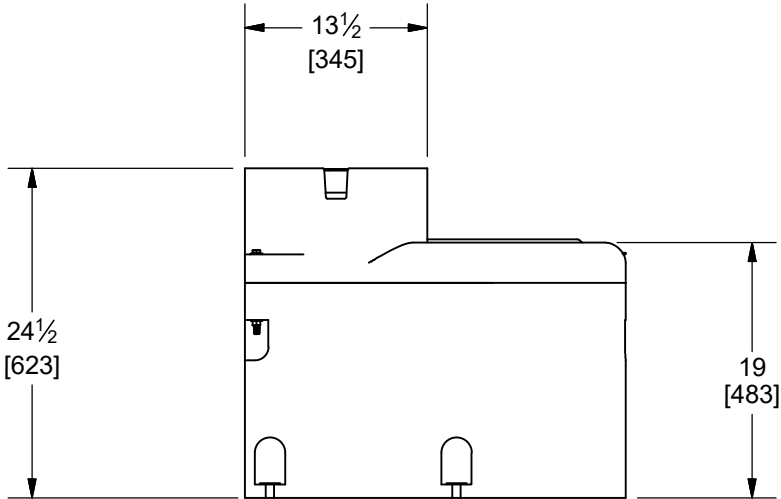


NOTE:

MOUNTING HOLE LOCATIONS ARE APPROXIMATE. DUE TO VARIATIONS IN MOLDING PROCESS, IT IS NOT RECOMMENDED TO USE THIS DRAWING FOR LOCATING CONCRETE ANCHORS. IT IS RECOMMENDED TO WAIT UNTIL UNIT IS AVAILABLE FOR MEASUREMENT.

THRIFTY KING CT 1

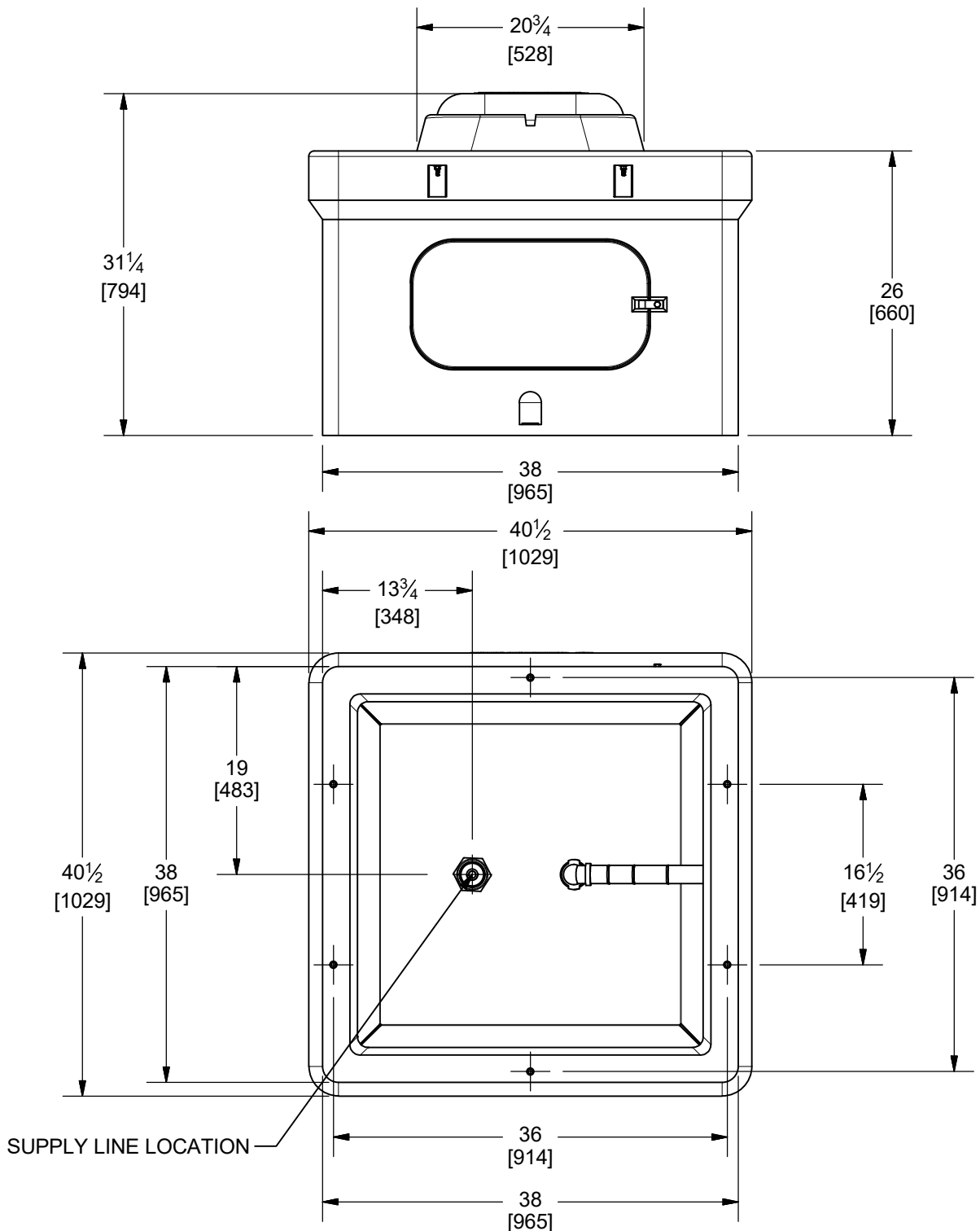
OVERALL DIMENSIONS



NOTE:
MOUNTING HOLE LOCATIONS ARE APPROXIMATE. DUE TO VARIATIONS IN MOLDING PROCESS, IT IS NOT RECOMMENDED TO USE THIS DRAWING FOR LOCATING CONCRETE ANCHORS. IT IS RECOMMENDED TO WAIT UNTIL UNIT IS AVAILABLE FOR MEASUREMENT.

OMNIFOUNT 10

OVERALL DIMENSIONS

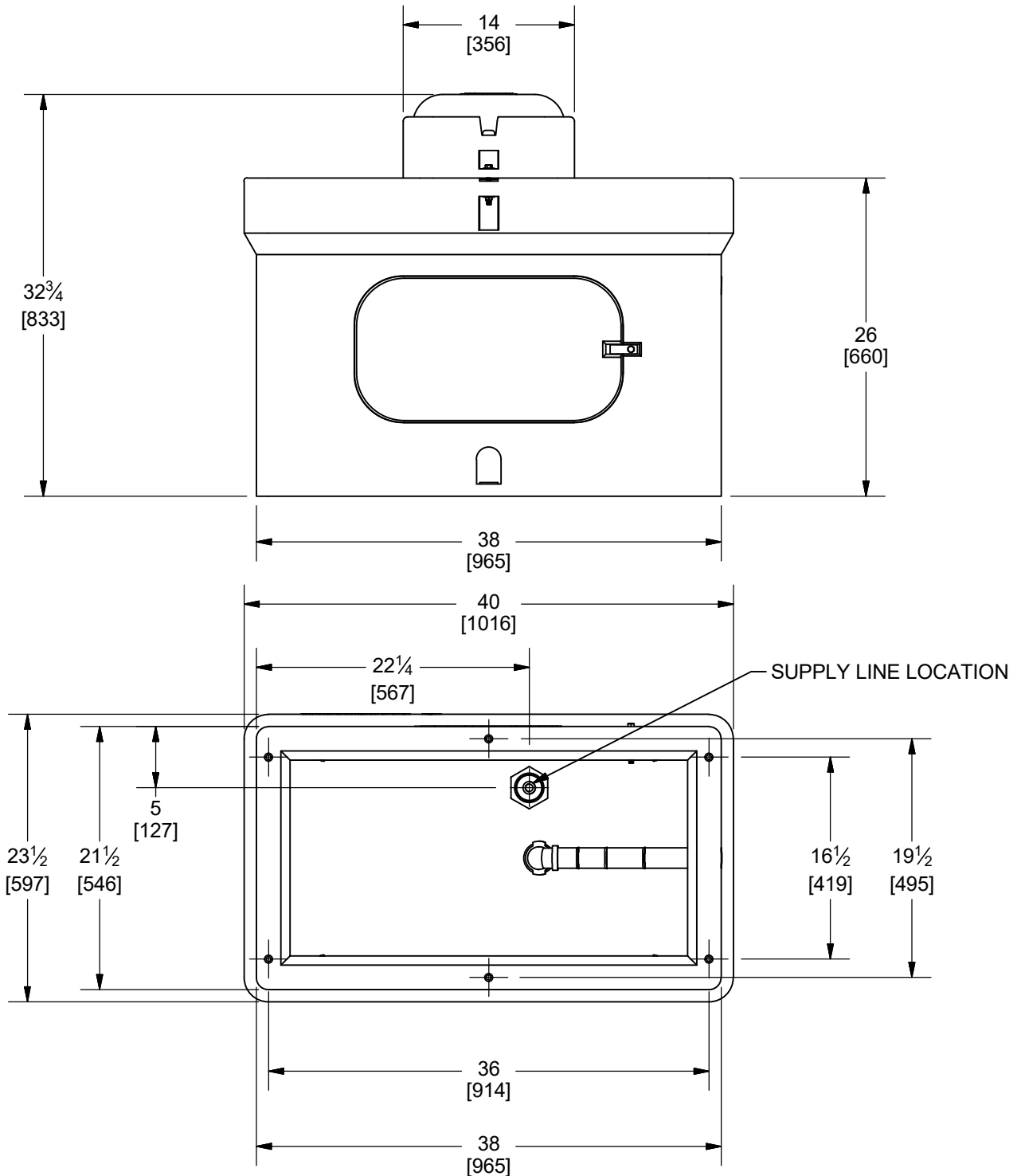


NOTE:

MOUNTING HOLE LOCATIONS ARE APPROXIMATE. DUE TO VARIATIONS IN MOLDING PROCESS, IT IS NOT RECOMMENDED TO USE THIS DRAWING FOR LOCATING CONCRETE ANCHORS. IT IS RECOMMENDED TO WAIT UNTIL UNIT IS AVAILABLE FOR MEASUREMENT.

OMNIFOUNT 5

OVERALL DIMENSIONS

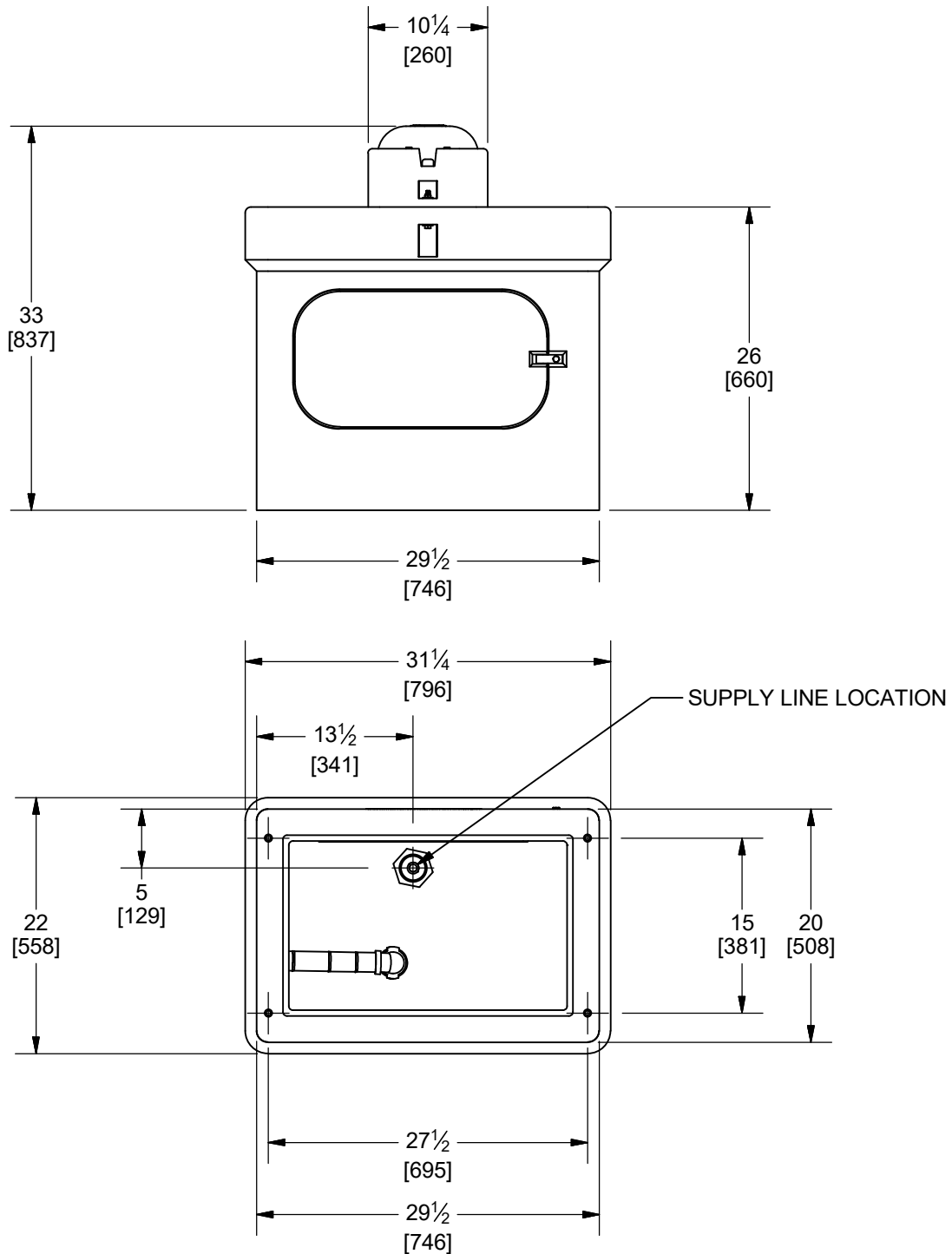


NOTE:

MOUNTING HOLE LOCATIONS ARE APPROXIMATE. DUE TO VARIATIONS IN MOLDING PROCESS, IT IS NOT RECOMMENDED TO USE THIS DRAWING FOR LOCATING CONCRETE ANCHORS. IT IS RECOMMENDED TO WAIT UNTIL UNIT IS AVAILABLE FOR MEASUREMENT.

OMNIFOUNT 3

OVERALL DIMENSIONS

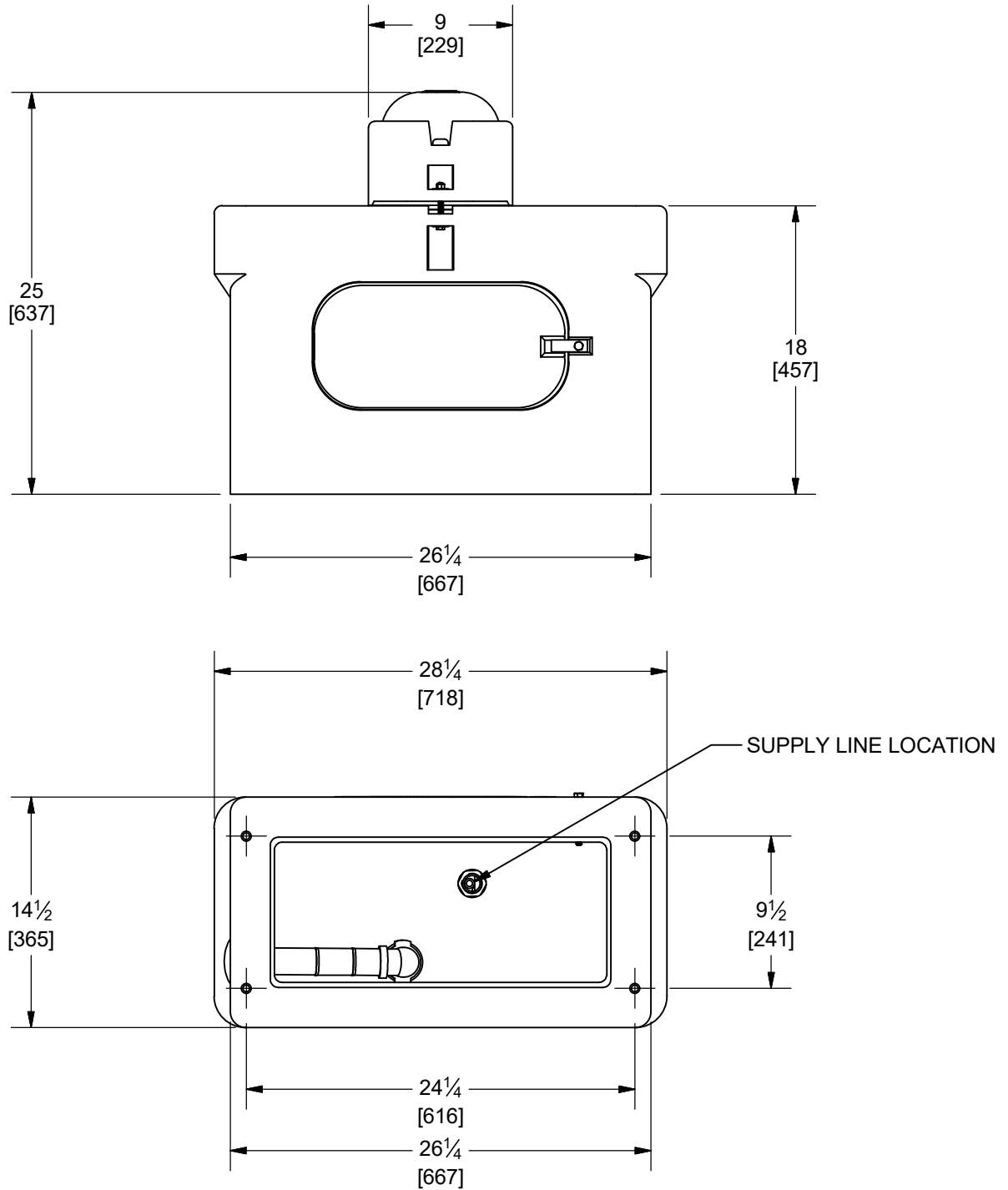


NOTE:

MOUNTING HOLE LOCATIONS ARE APPROXIMATE. DUE TO VARIATIONS IN MOLDING PROCESS, IT IS NOT RECOMMENDED TO USE THIS DRAWING FOR LOCATING CONCRETE ANCHORS. IT IS RECOMMENDED TO WAIT UNTIL UNIT IS AVAILABLE FOR MEASUREMENT.

OMNIFOUNT 2

OVERALL DIMENSIONS

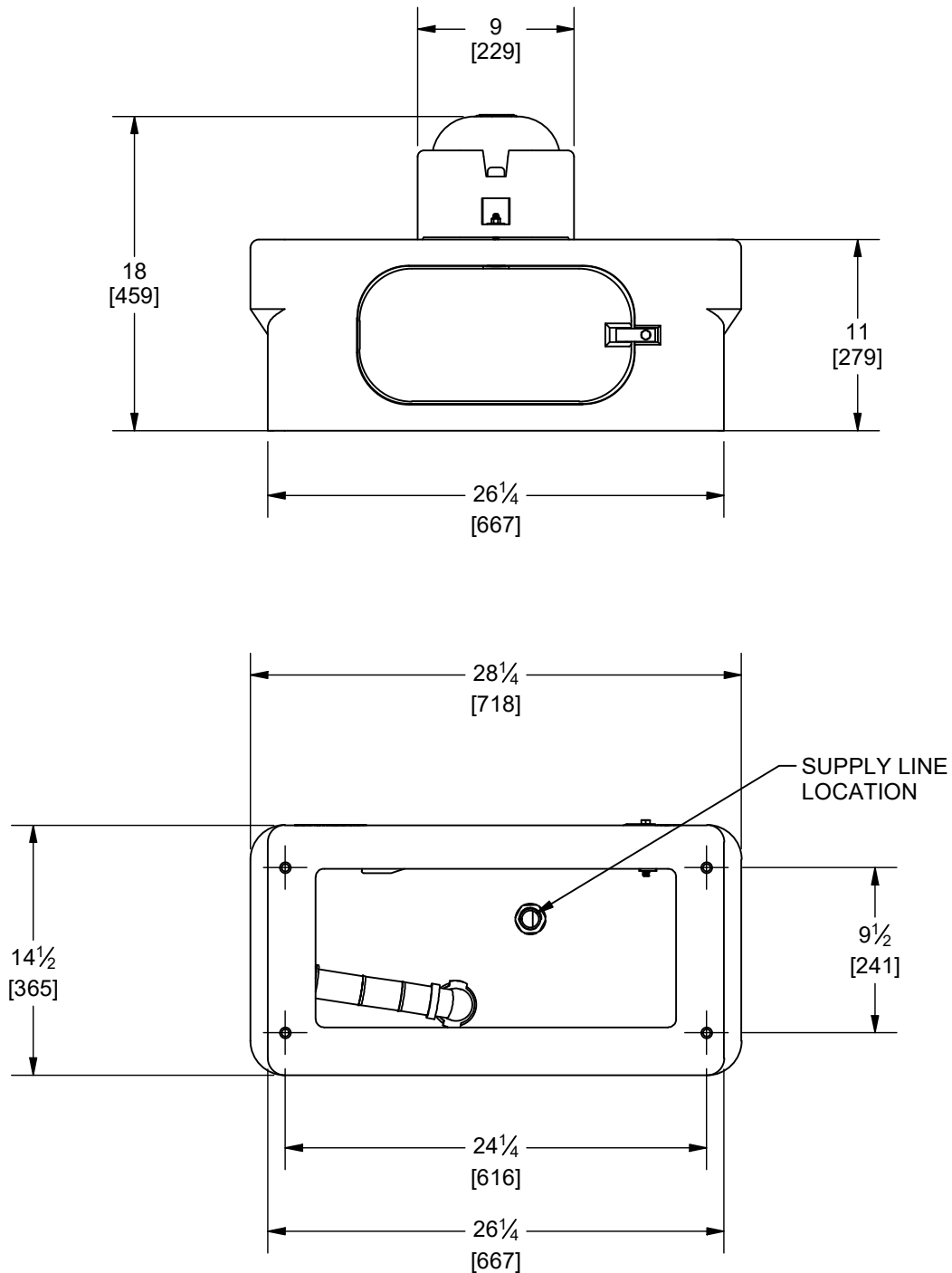


NOTE:

MOUNTING HOLE LOCATIONS ARE APPROXIMATE. DUE TO VARIATIONS IN MOLDING PROCESS, IT IS NOT RECOMMENDED TO USE THIS DRAWING FOR LOCATING CONCRETE ANCHORS. IT IS RECOMMENDED TO WAIT UNTIL UNIT IS AVAILABLE FOR MEASUREMENT.

OMNIFOUNT 2 SPECIAL

OVERALL DIMENSIONS

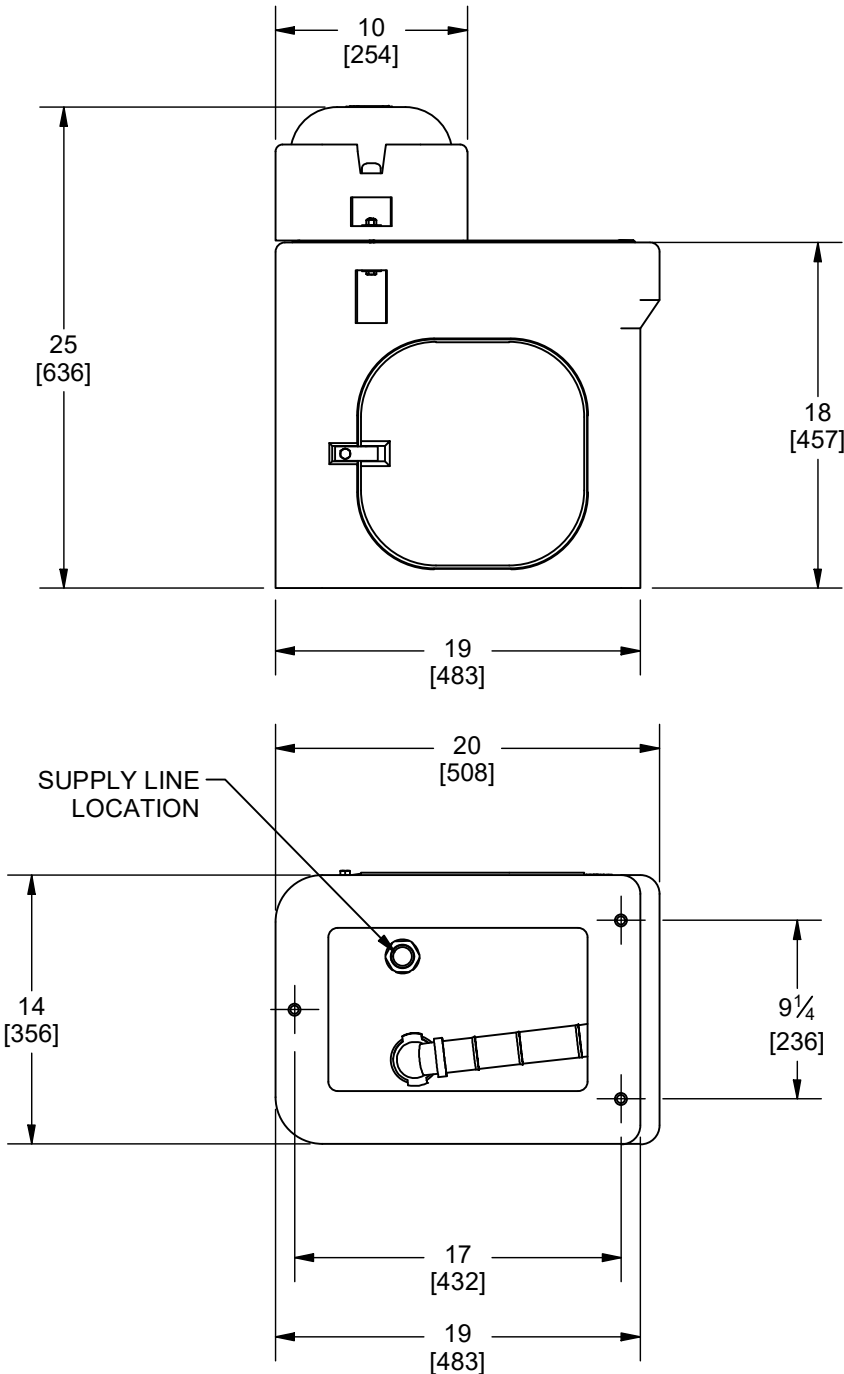


NOTE:

MOUNTING HOLE LOCATIONS ARE APPROXIMATE. DUE TO VARIATIONS IN MOLDING PROCESS, IT IS NOT RECOMMENDED TO USE THIS DRAWING FOR LOCATING CONCRETE ANCHORS. IT IS RECOMMENDED TO WAIT UNTIL UNIT IS AVAILABLE FOR MEASUREMENT.

OMNIFOUNT 1

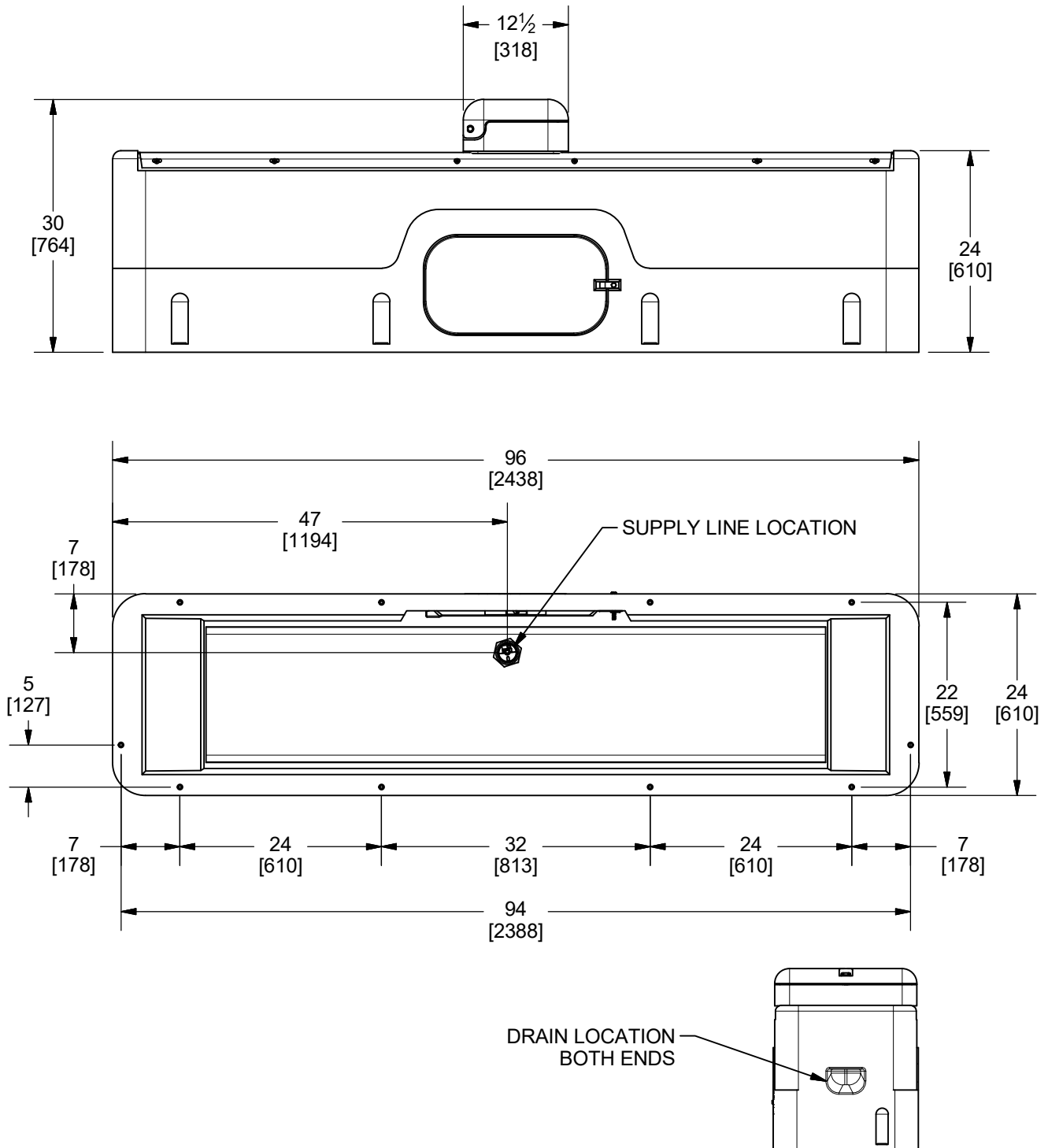
OVERALL DIMENSIONS



NOTE:
MOUNTING HOLE LOCATIONS ARE APPROXIMATE. DUE TO VARIATIONS IN MOLDING PROCESS, IT IS NOT RECOMMENDED TO USE THIS DRAWING FOR LOCATING CONCRETE ANCHORS. IT IS RECOMMENDED TO WAIT UNTIL UNIT IS AVAILABLE FOR MEASUREMENT.

OMNIMASTER 8

OVERALL DIMENSIONS

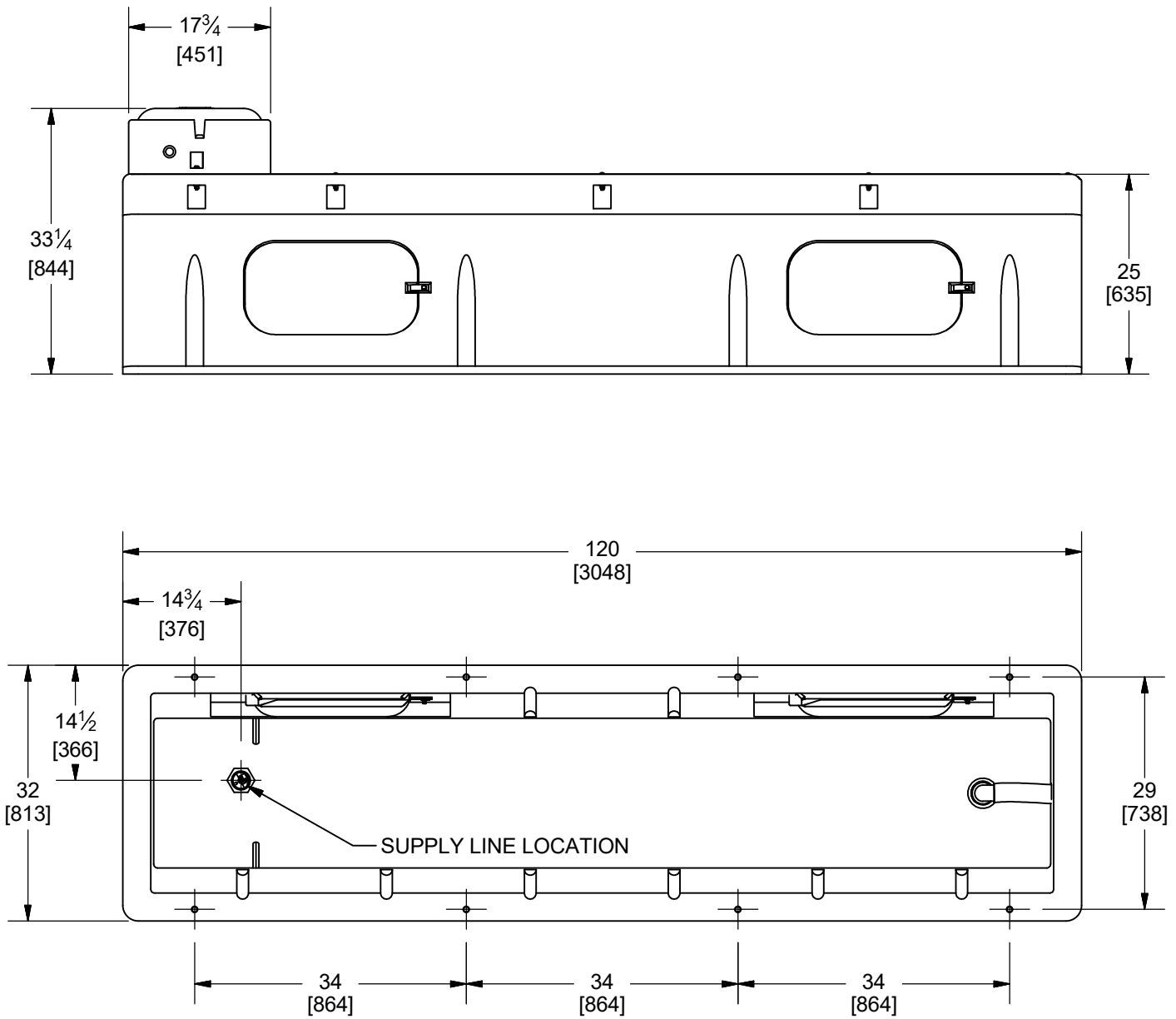


NOTE:

MOUNTING HOLE LOCATIONS ARE APPROXIMATE. DUE TO VARIATIONS IN MOLDING PROCESS, IT IS NOT RECOMMENDED TO USE THIS DRAWING FOR LOCATING CONCRETE ANCHORS. IT IS RECOMMENDED TO WAIT UNTIL UNIT IS AVAILABLE FOR MEASUREMENT.

CATTLEMASTER 10T

OVERALL DIMENSIONS

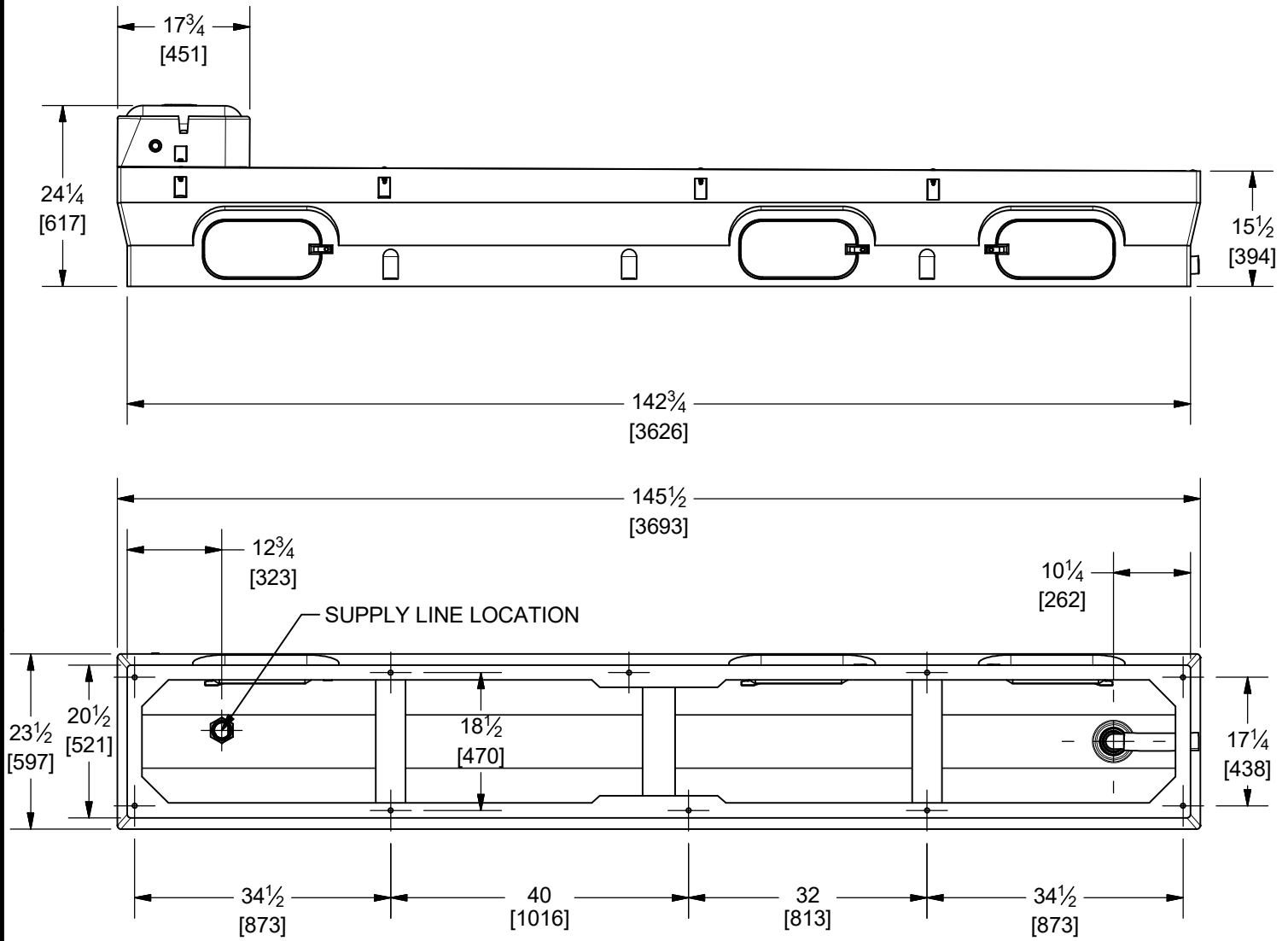


NOTE:

MOUNTING HOLE LOCATIONS ARE APPROXIMATE. DUE TO VARIATIONS IN MOLDING PROCESS, IT IS NOT RECOMMENDED TO USE THIS DRAWING FOR LOCATING CONCRETE ANCHORS. IT IS RECOMMENDED TO WAIT UNTIL UNIT IS AVAILABLE FOR MEASUREMENT.

CATTLEMASTER 1440

OVERALL DIMENSIONS

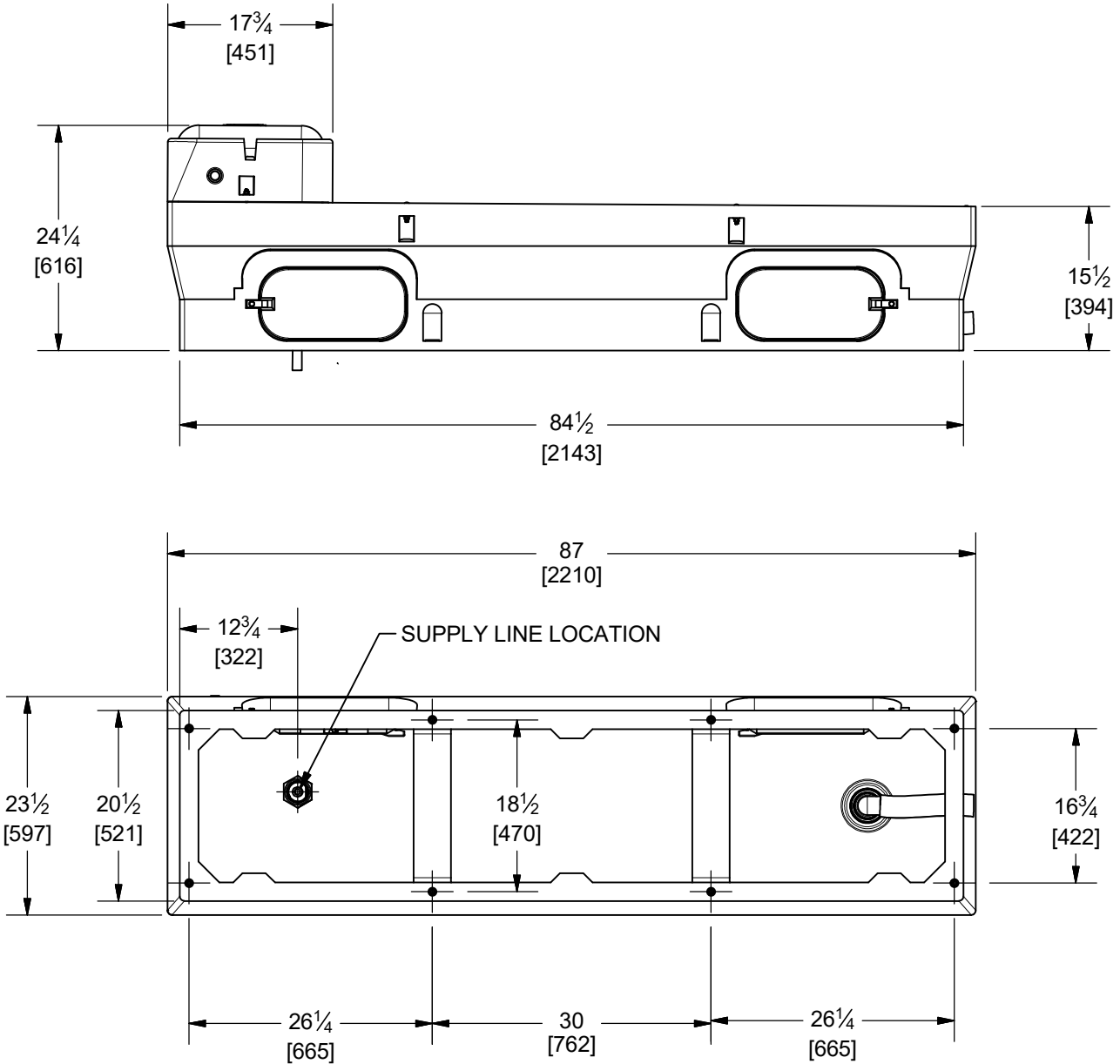


NOTE:

MOUNTING HOLE LOCATIONS ARE APPROXIMATE. DUE TO VARIATIONS IN MOLDING PROCESS, IT IS NOT RECOMMENDED TO USE THIS DRAWING FOR LOCATING CONCRETE ANCHORS. IT IS RECOMMENDED TO WAIT UNTIL UNIT IS AVAILABLE FOR MEASUREMENT.

CATLEMASTER 840

OVERALL DIMENSIONS

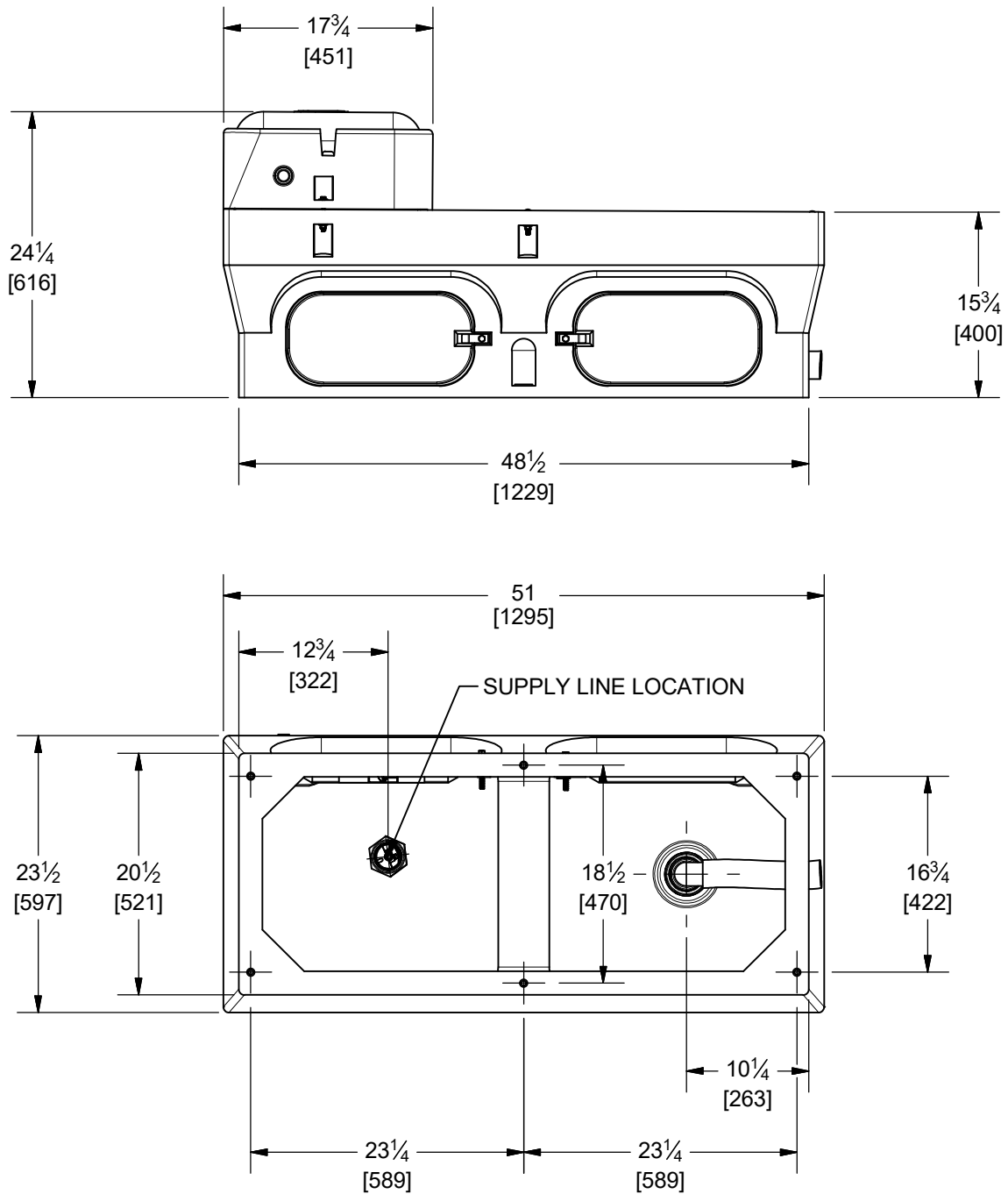


NOTE:

MOUNTING HOLE LOCATIONS ARE APPROXIMATE. DUE TO VARIATIONS IN MOLDING PROCESS, IT IS NOT RECOMMENDED TO USE THIS DRAWING FOR LOCATING CONCRETE ANCHORS. IT IS RECOMMENDED TO WAIT UNTIL UNIT IS AVAILABLE FOR MEASUREMENT.

CATTLEMASTER 480

OVERALL DIMENSIONS

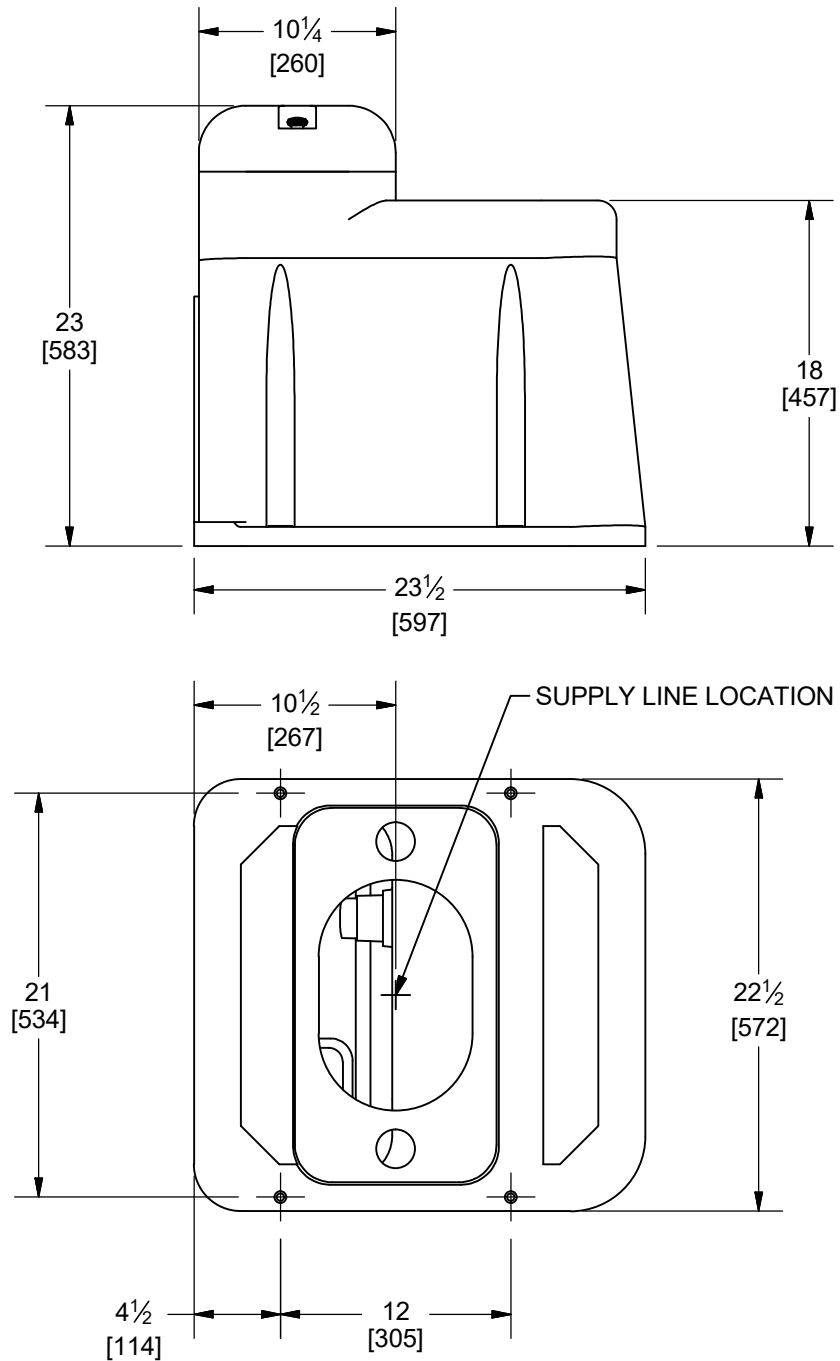


NOTE:

MOUNTING HOLE LOCATIONS ARE APPROXIMATE. DUE TO VARIATIONS IN MOLDING PROCESS, IT IS NOT RECOMMENDED TO USE THIS DRAWING FOR LOCATING CONCRETE ANCHORS. IT IS RECOMMENDED TO WAIT UNTIL UNIT IS AVAILABLE FOR MEASUREMENT.

GENESIS G-1

OVERALL DIMENSIONS

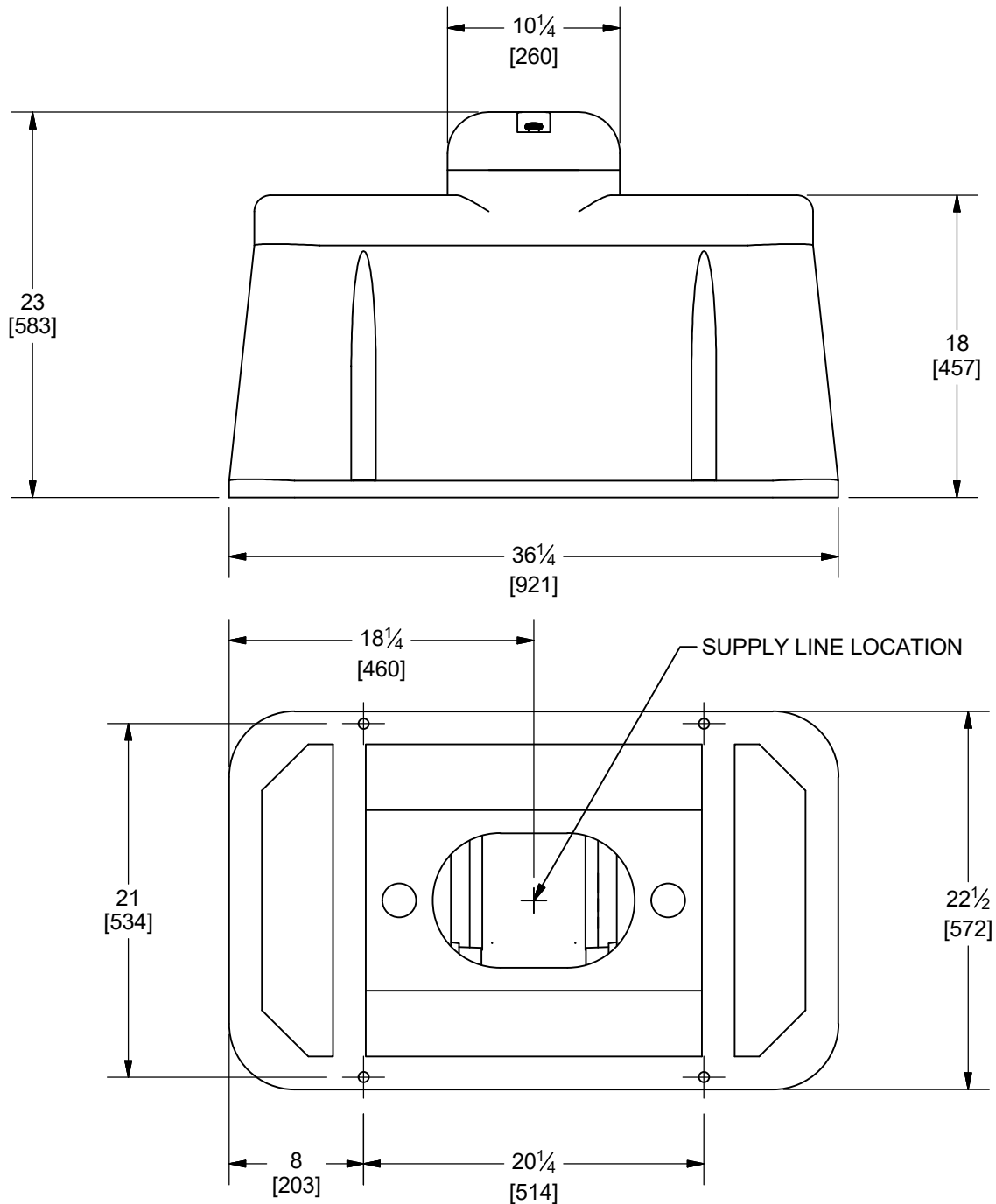


NOTE:

MOUNTING HOLE LOCATIONS ARE APPROXIMATE. DUE TO VARIATIONS IN MOLDING PROCESS, IT IS NOT RECOMMENDED TO USE THIS DRAWING FOR LOCATING CONCRETE ANCHORS. IT IS RECOMMENDED TO WAIT UNTIL UNIT IS AVAILABLE FOR MEASUREMENT.

GENESIS G-2

OVERALL DIMENSIONS

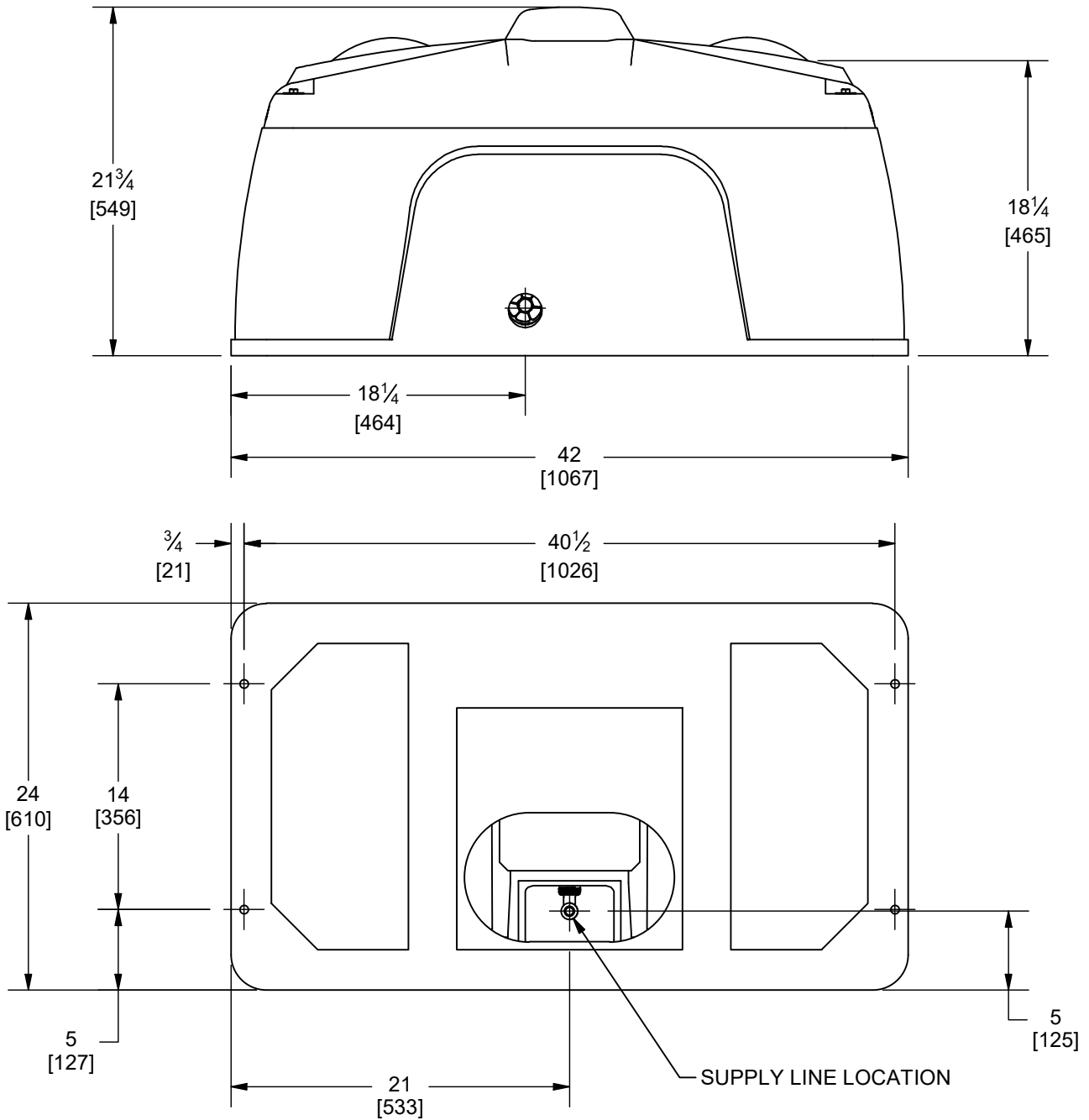


NOTE:

MOUNTING HOLE LOCATIONS ARE APPROXIMATE. DUE TO VARIATIONS IN MOLDING PROCESS, IT IS NOT RECOMMENDED TO USE THIS DRAWING FOR LOCATING CONCRETE ANCHORS. IT IS RECOMMENDED TO WAIT UNTIL UNIT IS AVAILABLE FOR MEASUREMENT.

GENESIS GC-2

OVERALL DIMENSIONS

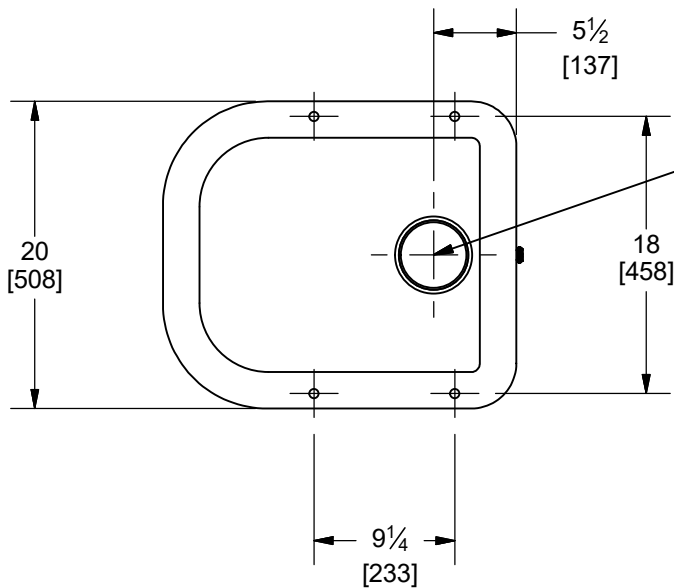
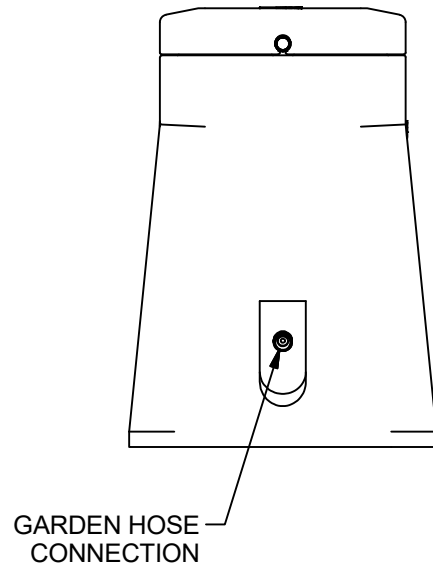
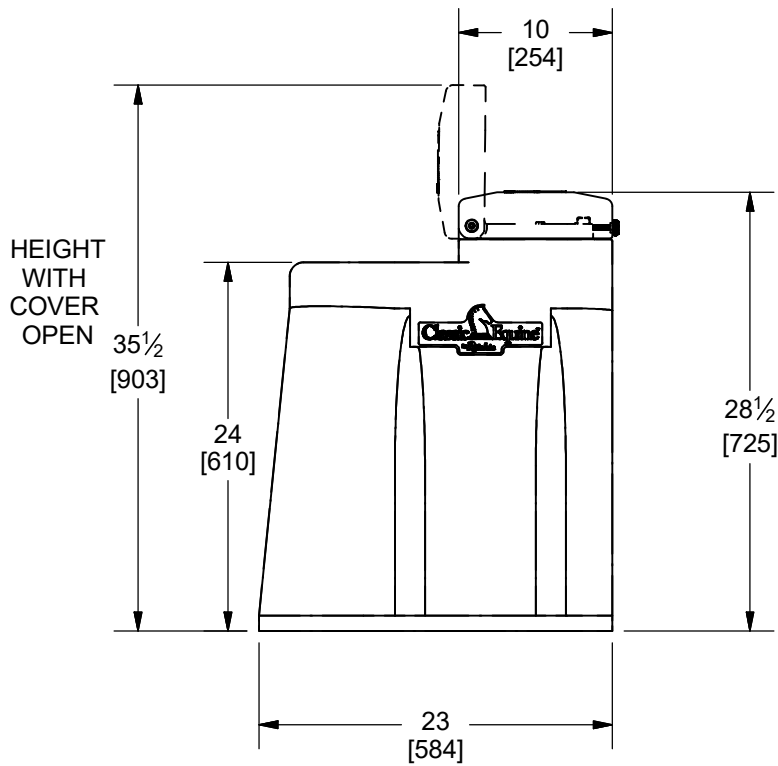


NOTE:

MOUNTING HOLE LOCATIONS ARE APPROXIMATE. DUE TO VARIATIONS IN MOLDING PROCESS, IT IS NOT RECOMMENDED TO USE THIS DRAWING FOR LOCATING CONCRETE ANCHORS. IT IS RECOMMENDED TO WAIT UNTIL UNIT IS AVAILABLE FOR MEASUREMENT.

EZ FOUNT

OVERALL DIMENSIONS



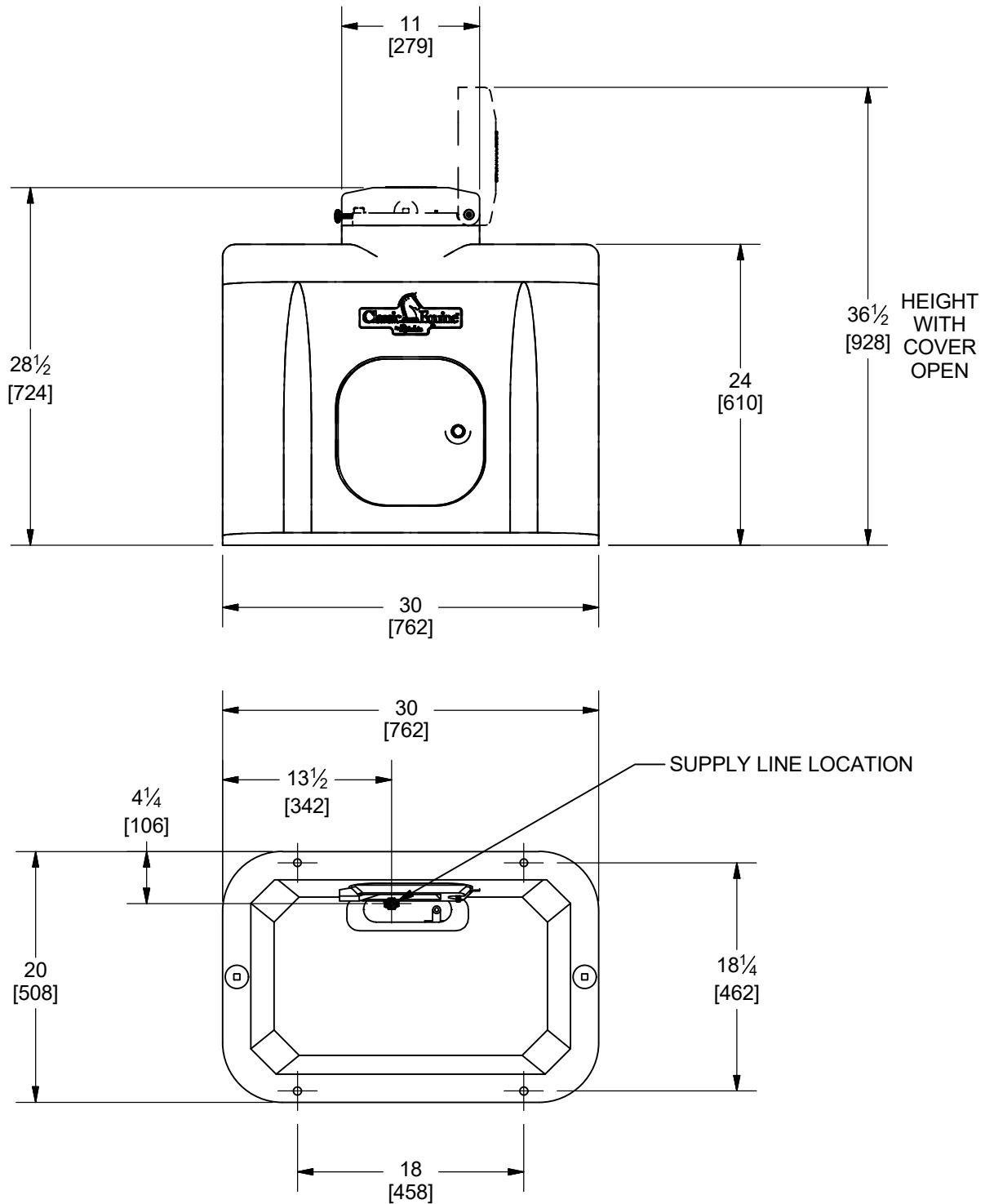
CONNECTION MAY BE MADE THROUGH THIS ACCESS IF SUPPLY LINE IS RAN UNDER GROUND

NOTE:

MOUNTING HOLE LOCATIONS ARE APPROXIMATE. DUE TO VARIATIONS IN MOLDING PROCESS, IT IS NOT RECOMMENDED TO USE THIS DRAWING FOR LOCATING CONCRETE ANCHORS. IT IS RECOMMENDED TO WAIT UNTIL UNIT IS AVAILABLE FOR MEASUREMENT.

AUTOFOUNT

OVERALL DIMENSIONS

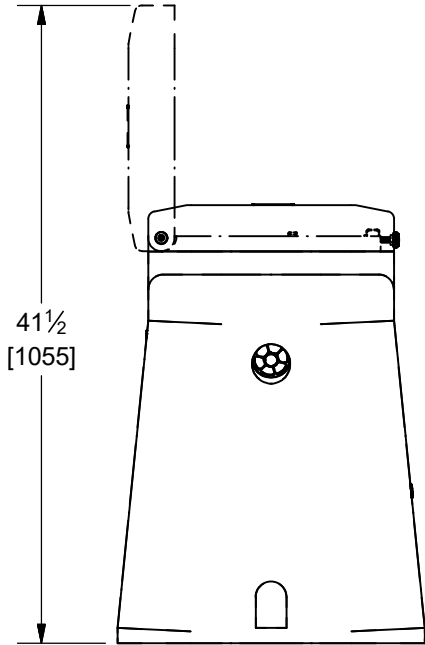


NOTE:

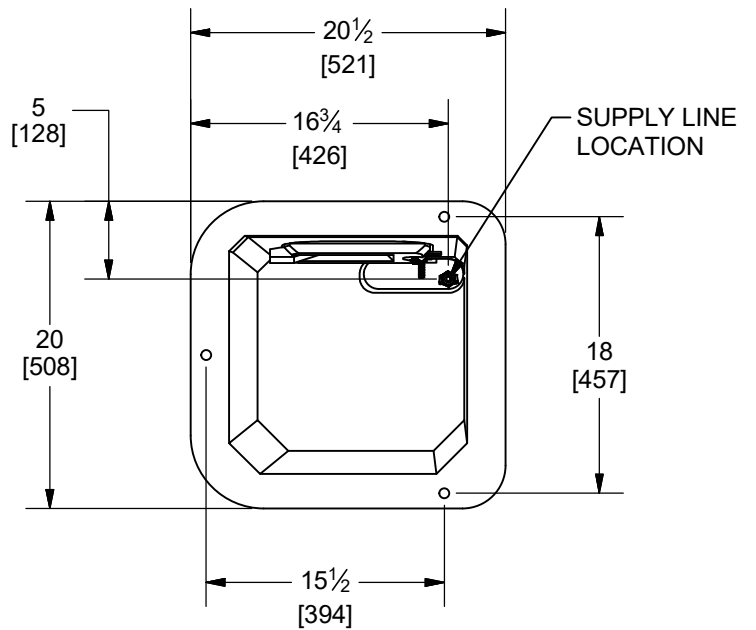
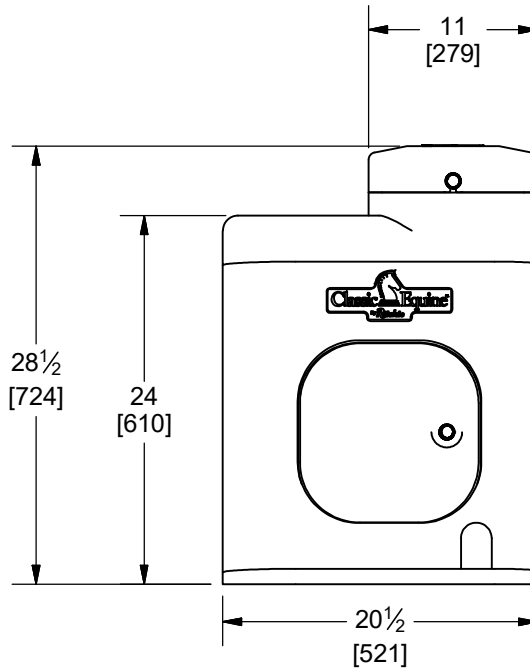
MOUNTING HOLE LOCATIONS ARE APPROXIMATE. DUE TO VARIATIONS IN MOLDING PROCESS, IT IS NOT RECOMMENDED TO USE THIS DRAWING FOR LOCATING CONCRETE ANCHORS. IT IS RECOMMENDED TO WAIT UNTIL UNIT IS AVAILABLE FOR MEASUREMENT.

AUTOFOUNT 1

OVERALL DIMENSIONS



HEIGHT WITH
COVER OPEN

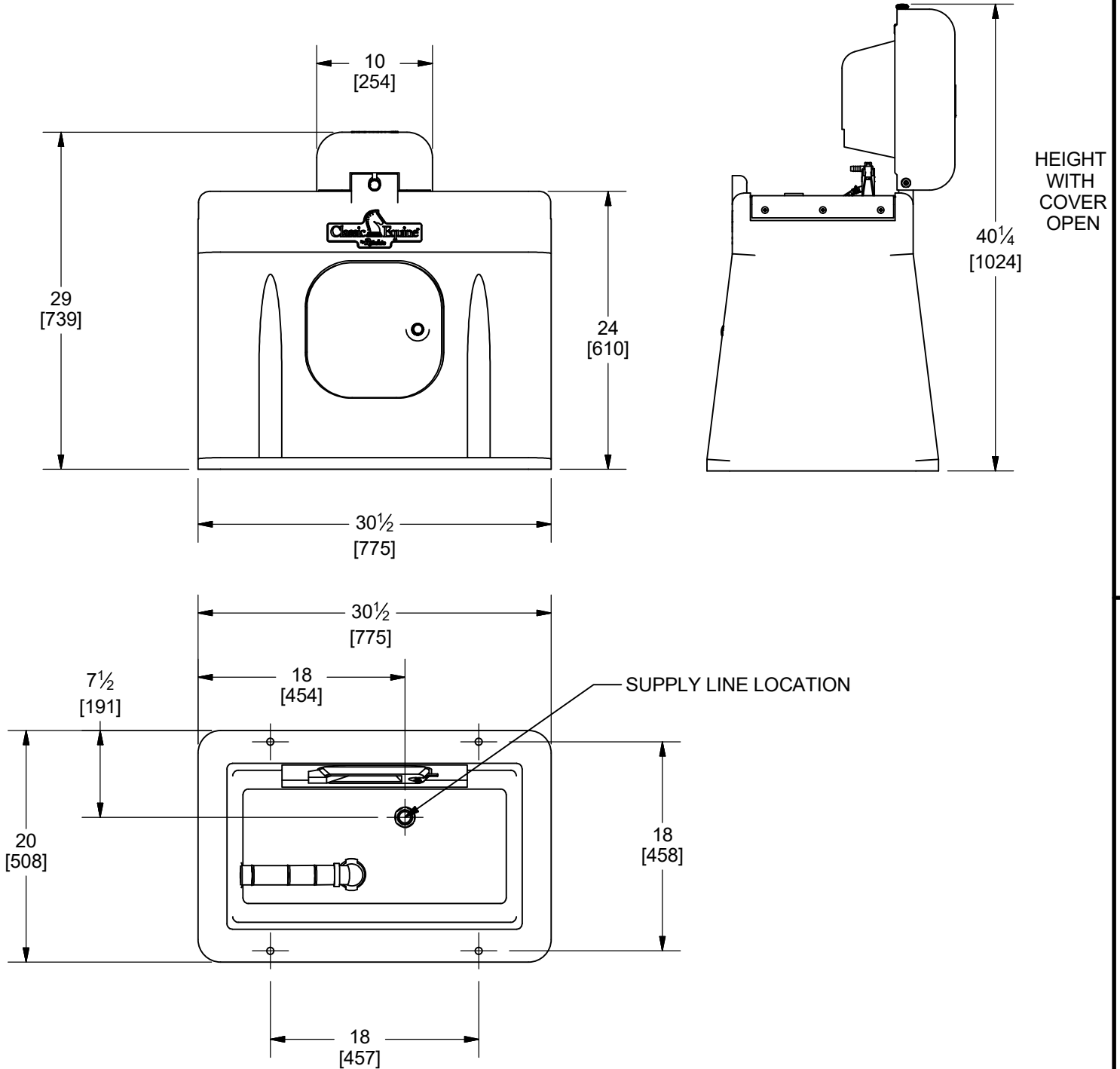


NOTE:

MOUNTING HOLE LOCATIONS ARE APPROXIMATE. DUE TO VARIATIONS IN MOLDING PROCESS, IT IS NOT RECOMMENDED TO USE THIS DRAWING FOR LOCATING CONCRETE ANCHORS. IT IS RECOMMENDED TO WAIT UNTIL UNIT IS AVAILABLE FOR MEASUREMENT.

ULTRAFOUNT

OVERALL DIMENSIONS

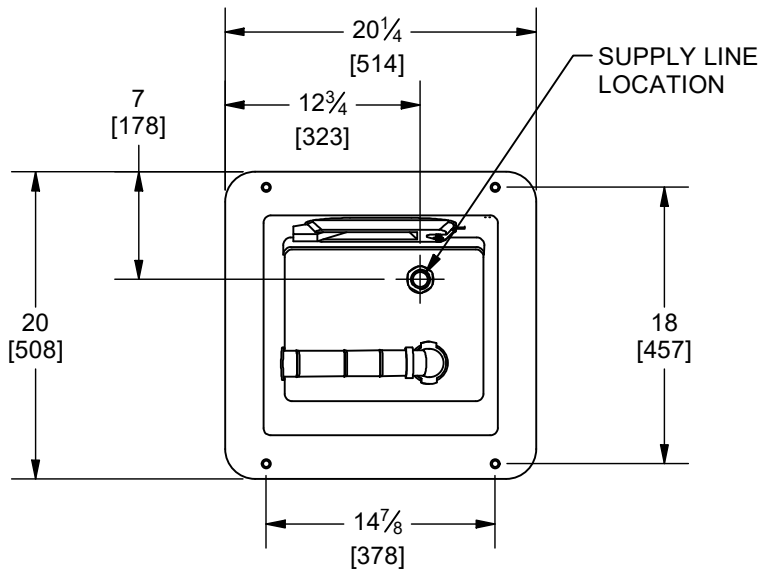
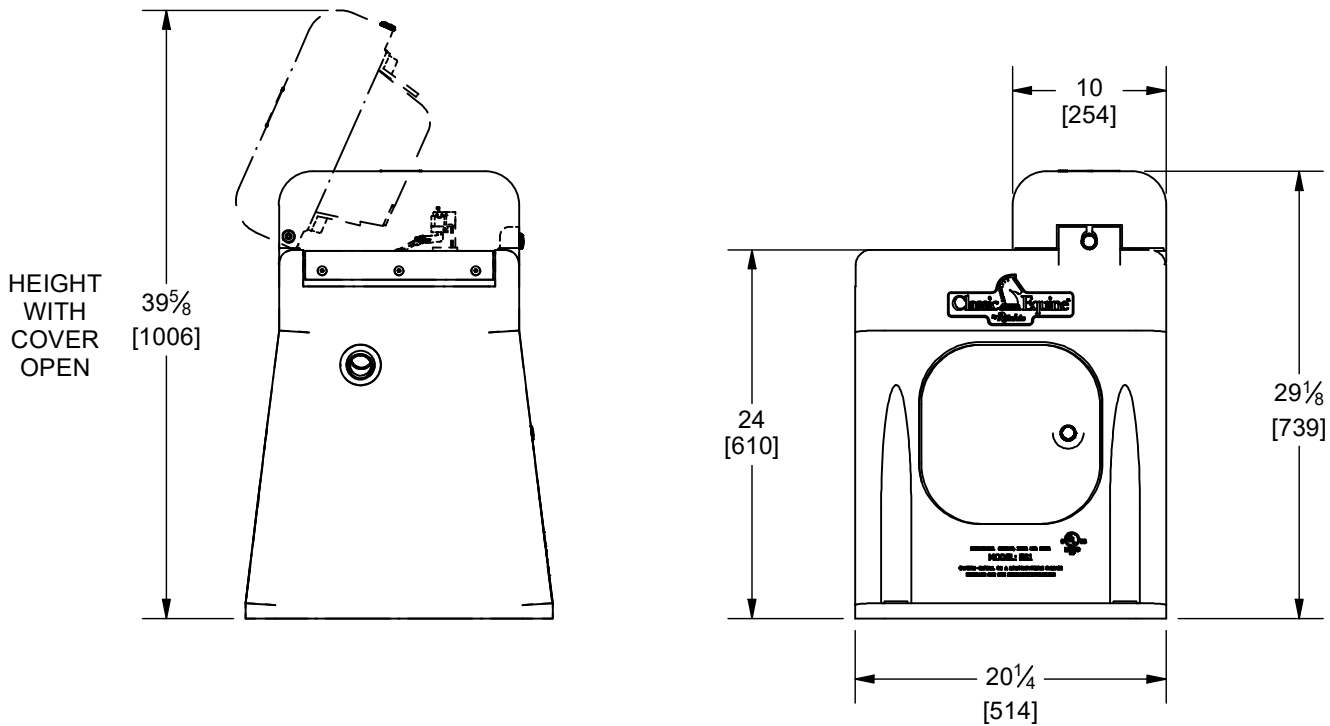


NOTE:

MOUNTING HOLE LOCATIONS ARE APPROXIMATE. DUE TO VARIATIONS IN MOLDING PROCESS, IT IS NOT RECOMMENDED TO USE THIS DRAWING FOR LOCATING CONCRETE ANCHORS. IT IS RECOMMENDED TO WAIT UNTIL UNIT IS AVAILABLE FOR MEASUREMENT.

ULTRAFOUNT 1

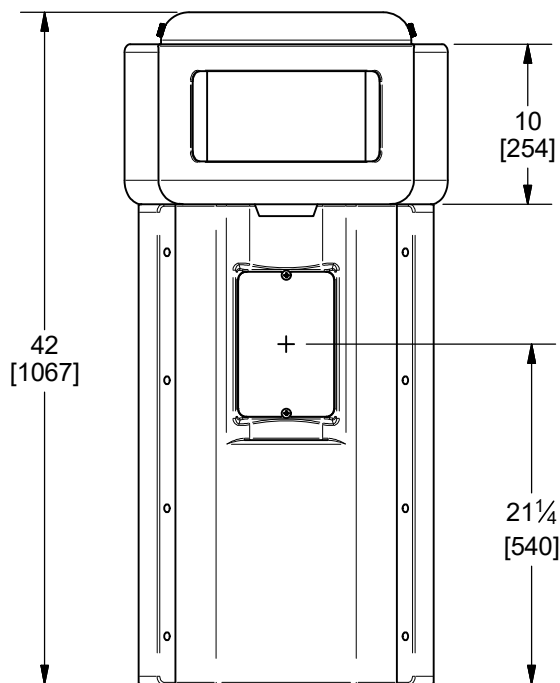
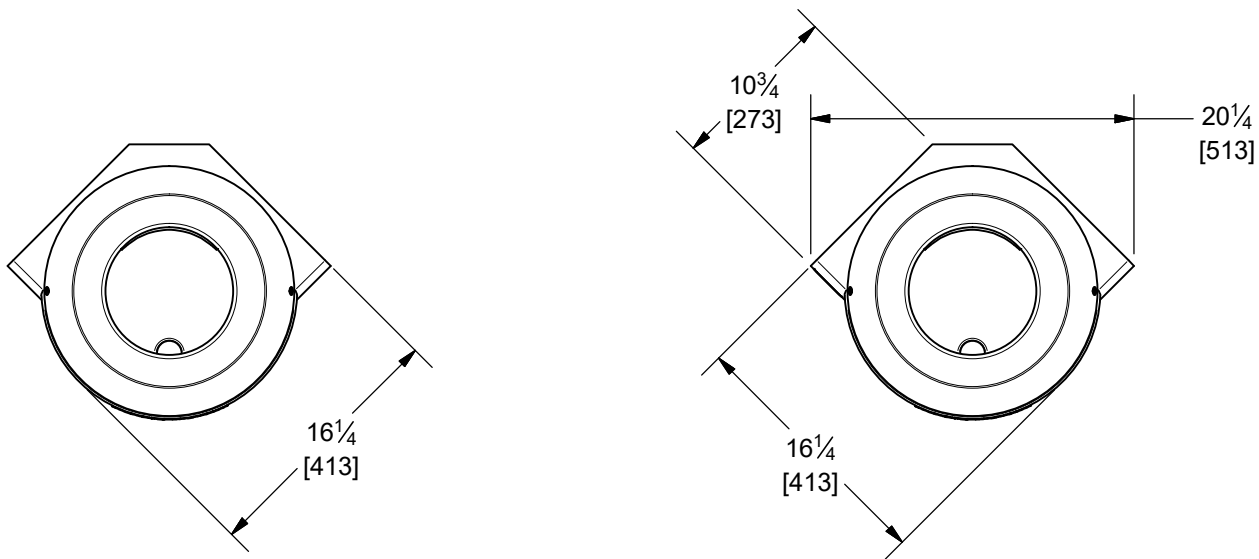
OVERALL DIMENSIONS



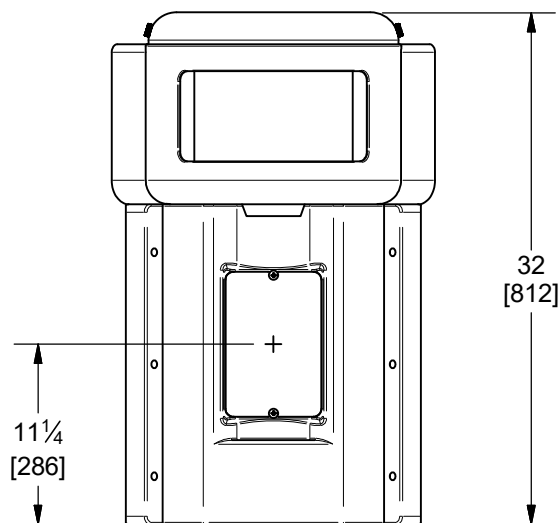
NOTE:

MOUNTING HOLE LOCATIONS ARE APPROXIMATE. DUE TO VARIATIONS IN MOLDING PROCESS, IT IS NOT RECOMMENDED TO USE THIS DRAWING FOR LOCATING CONCRETE ANCHORS. IT IS RECOMMENDED TO WAIT UNTIL UNIT IS AVAILABLE FOR MEASUREMENT.

EQUINE STALLFOUNT CORNER MOUNT OVERALL DIMENSIONS



WITH 30" SHROUD



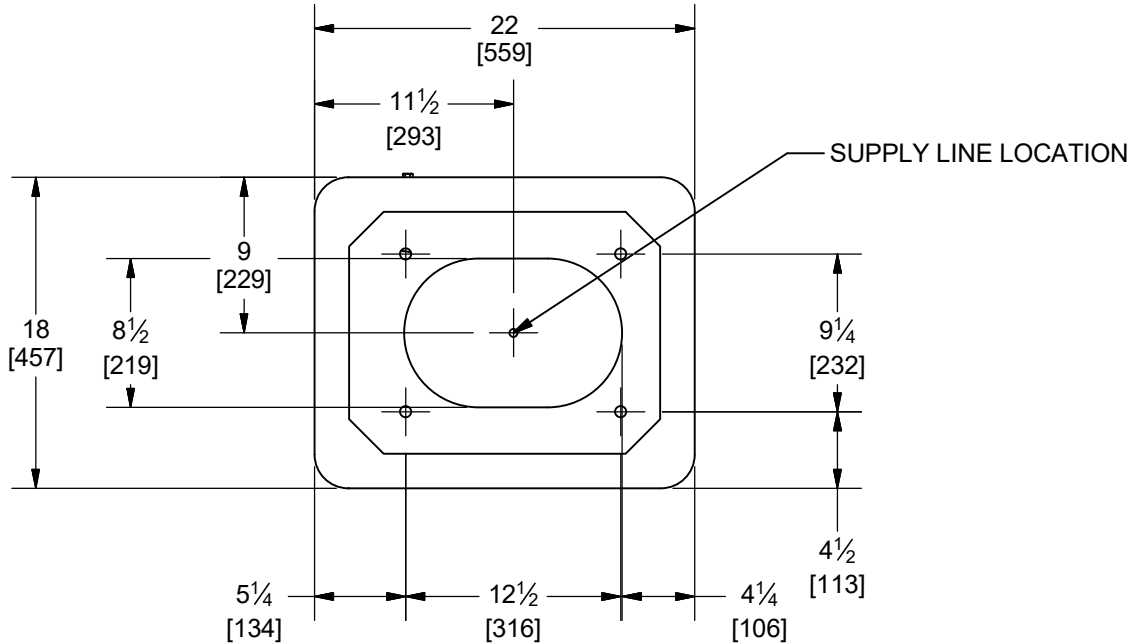
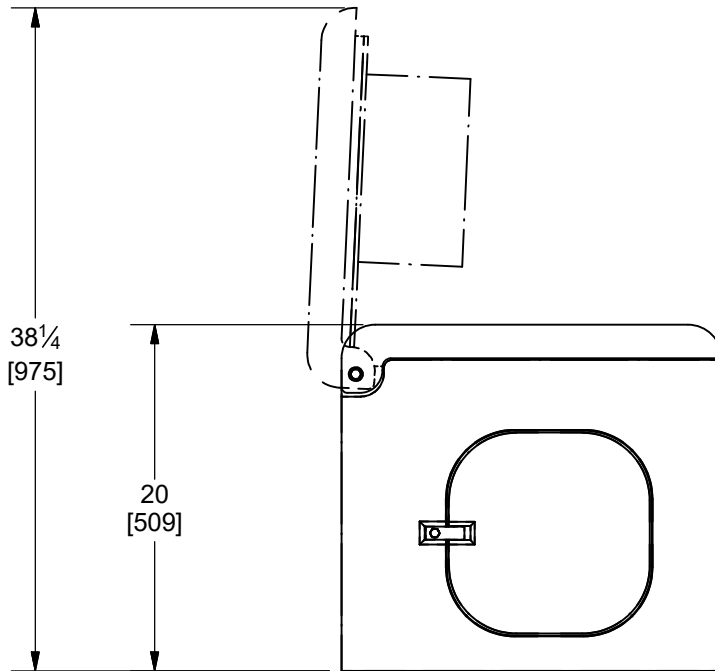
WITH 20" SHROUD

NOTE:

MOUNTING HOLE LOCATIONS ARE APPROXIMATE. DUE TO VARIATIONS IN MOLDING PROCESS, IT IS NOT RECOMMENDED TO USE THIS DRAWING FOR LOCATING WALL ANCHORS. IT IS RECOMMENDED TO WAIT UNTIL UNIT IS AVAILABLE FOR MEASUREMENT.

ECOFOUNT 1

OVERALL DIMENSIONS

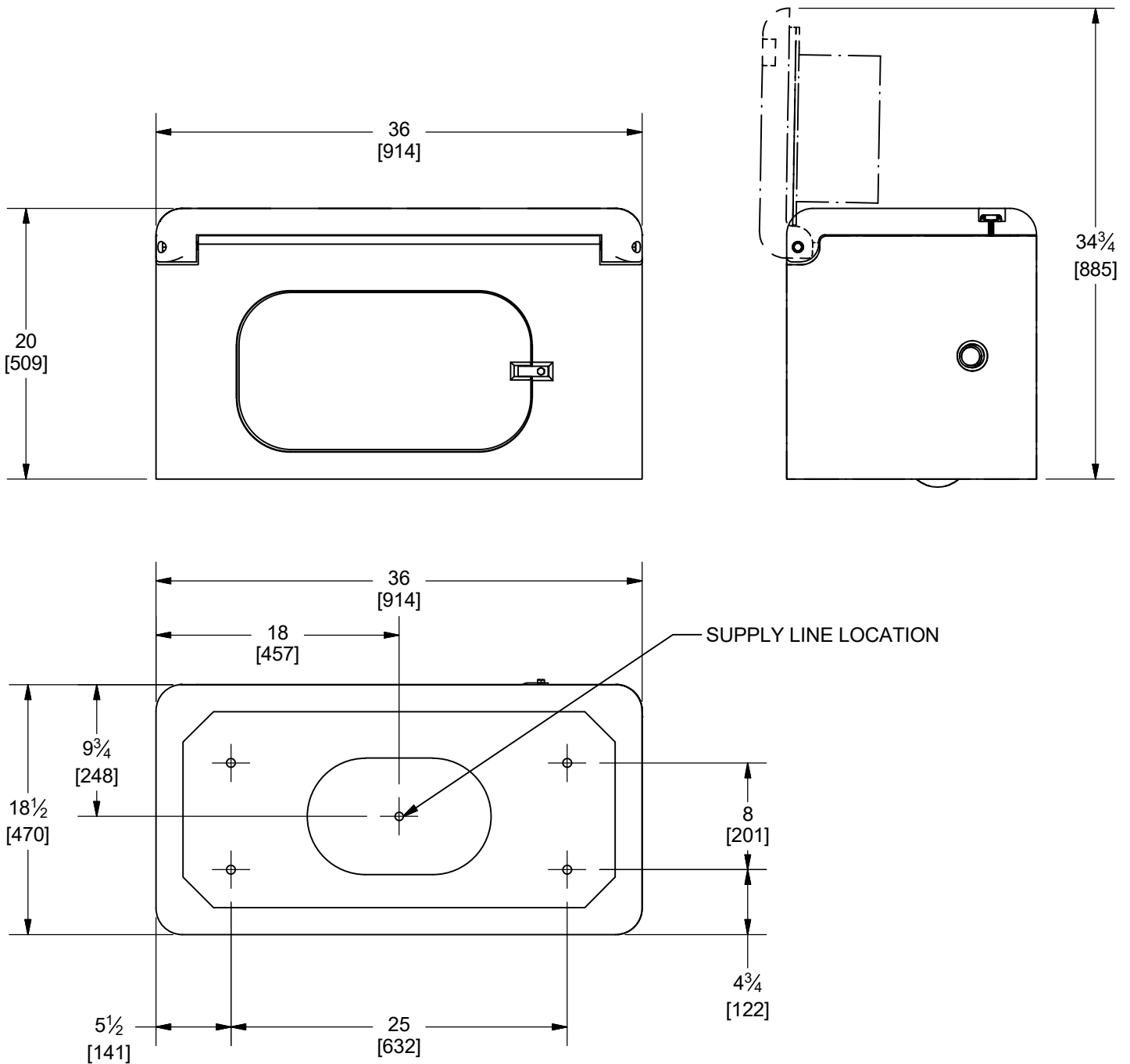


NOTE:

MOUNTING HOLE LOCATIONS ARE APPROXIMATE. DUE TO VARIATIONS IN MOLDING PROCESS, IT IS NOT RECOMMENDED TO USE THIS DRAWING FOR LOCATING CONCRETE ANCHORS. IT IS RECOMMENDED TO WAIT UNTIL UNIT IS AVAILABLE FOR MEASUREMENT.

ECOFOUNT 2

OVERALL DIMENSIONS

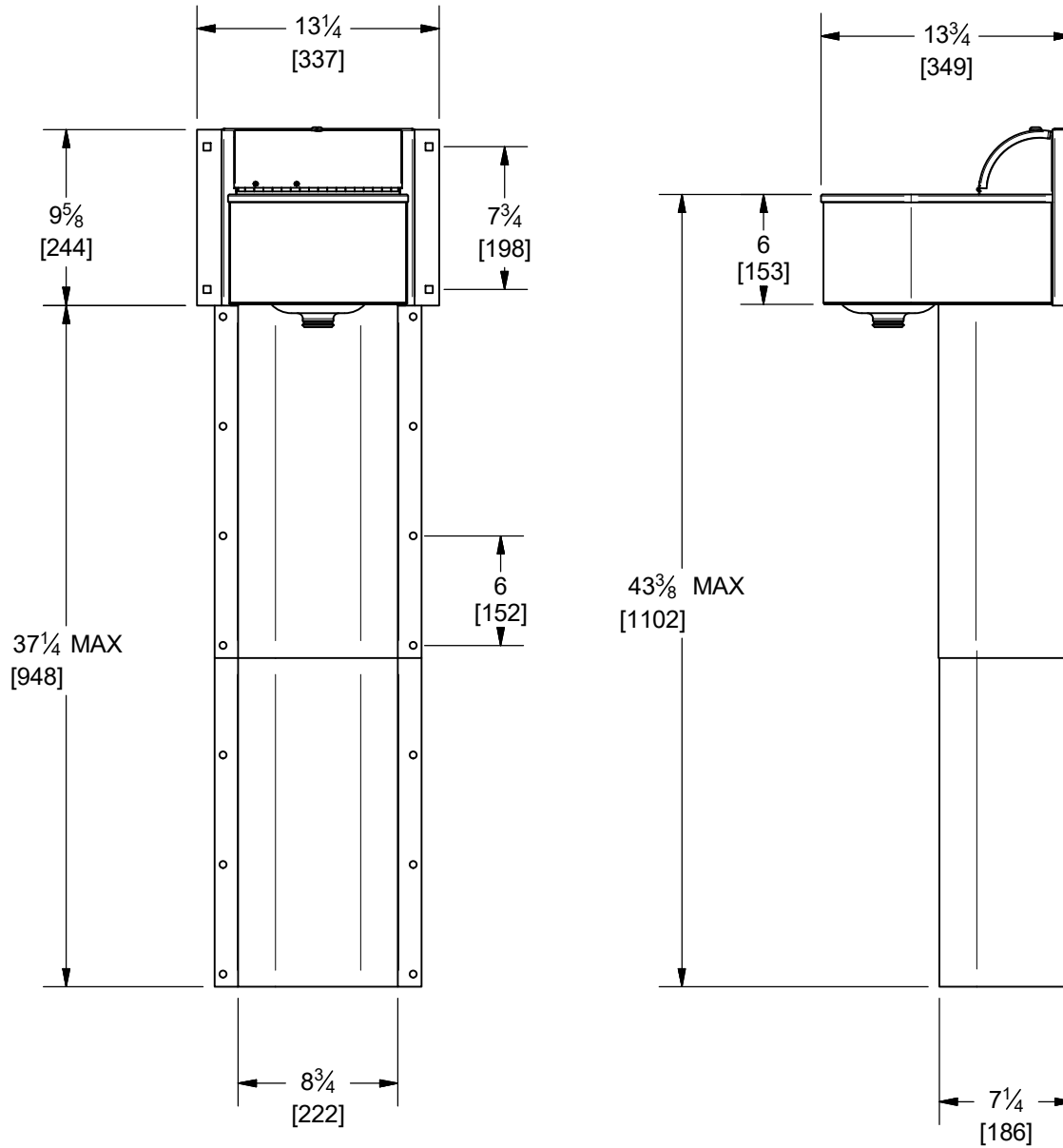


NOTE:

MOUNTING HOLE LOCATIONS ARE APPROXIMATE. DUE TO VARIATIONS IN MOLDING PROCESS, IT IS NOT RECOMMENDED TO USE THIS DRAWING FOR LOCATING CONCRETE ANCHORS. IT IS RECOMMENDED TO WAIT UNTIL UNIT IS AVAILABLE FOR MEASUREMENT.

STALLFOUNT WALL MOUNT

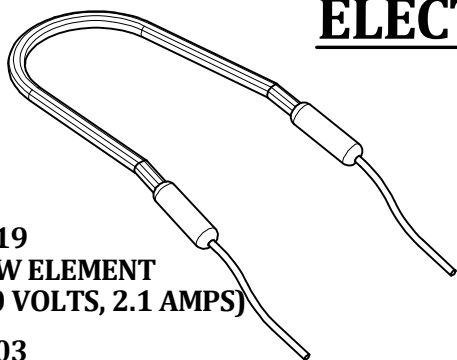
OVERALL DIMENSIONS



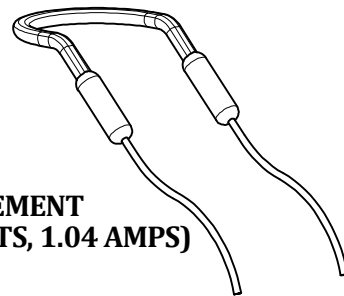
NOTE:

SHROUD HEIGHT CHANGES CAN BE MADE IN 6" INCREMENTS.
 IT IS NOT RECOMMENDED TO USE THIS DRAWING FOR LOCATING WALL ANCHORS.
 IT IS RECOMMENDED TO WAIT UNTIL UNIT IS AVAILABLE FOR MEASUREMENT.

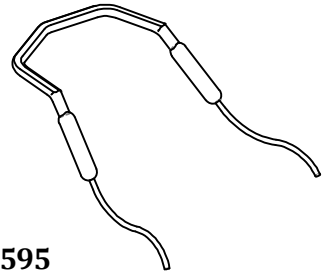
ELECTRICAL COMPONENTS



11419
250W ELEMENT
(120 VOLTS, 2.1 AMPS)



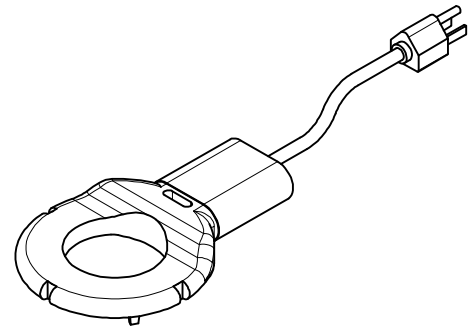
14150
125W ELEMENT
(120 VOLTS, 1.04 AMPS)



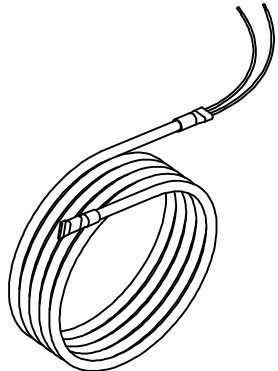
18595
125W ELEMENT
(Old Style)
(120 VOLTS, 1.04 AMPS)

11403
300W ELEMENT
(240 VOLTS, 1.25AMPS)

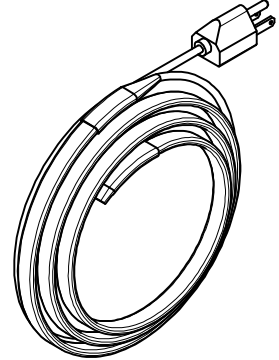
16664
200W ELEMENT
(240 VOLTS, 0.83AMPS)



16311
250W IMMERSION HEATER
(120 VOLTS, 2.1 AMPS)



48W CABLE HEATER - 8FT
13830
(120 VOLTS, 0.4 AMPS)



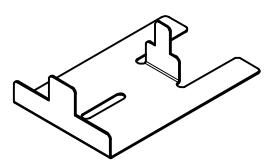
30W SELF LIMITING HEAT CABLE - 6FT
16276
(120 VOLTS, 0.25 AMPS)

17960
250W IMMERSION HEATER
(240 VOLTS, 1.6AMPS)

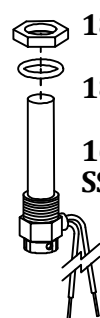
16424
(240 VOLTS, 0.2AMPS)

16713
(240 VOLTS, 0.125AMPS)
NOTE: 120V INCLUDES 3 PRONG PLUG

17961
250W IMMERSION HEATER
(240 VOLTS, 1.6 AMPS)
EURO STYLE PLUG



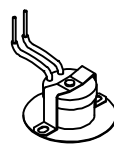
16636
IMMERSION HEATER
BRACKET STAND



18074 - BRASS NUT PKG

18320 - O-RING PKG

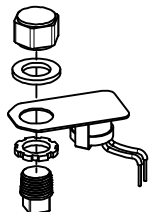
16534
SS FENWAL T-STAT



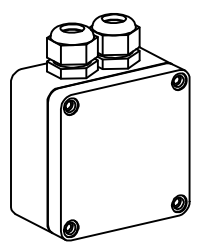
11885 DISC THERMOSTAT
(50 DEG - BLUE WIRE)

18679 DISC THERMOSTAT
(80 DEG - RED WIRE)

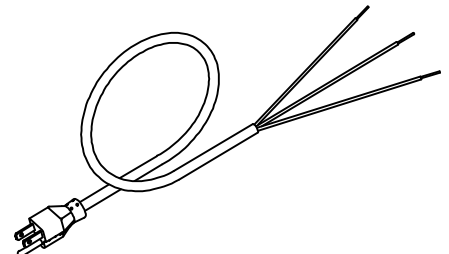
(120 VOLTS, 10 AMPS)
(240 VOLTS, 5 AMPS)



13680
KIT TO REPLACE
FENWAL PKG
(NOT RECOMENDED FOR UNITS
LARGER THAN 5'S)

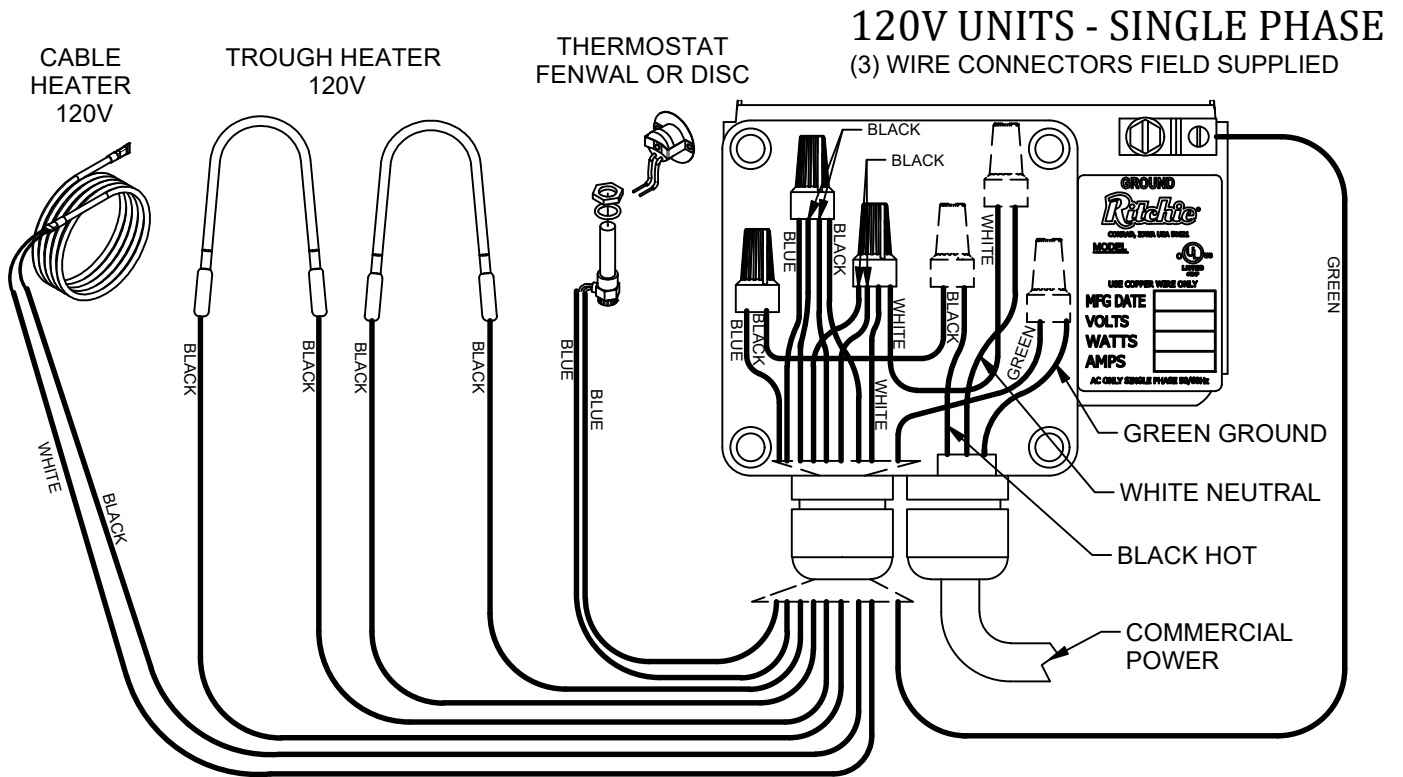


18787
JUNCTION BOX POLY PKG
18705
JUNCTION BOX POLY &
ADAPTER BRACKET PKG



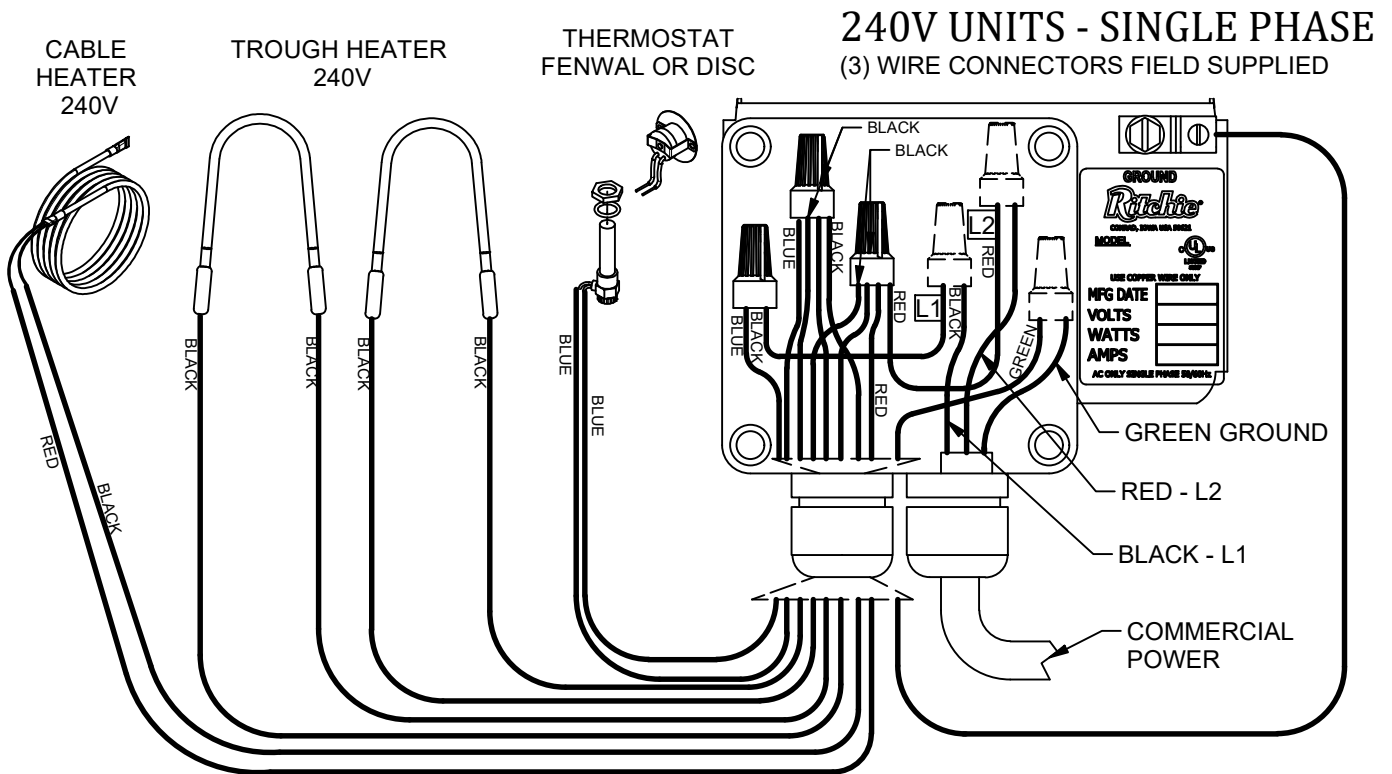
POWER CORD 18/3
18706 - (120 VOLTS)
18707 - (240 VOLTS)

WIRING DIAGRAM FOR HEATED UNITS



WARNING - CHECK NAMEPLATE FOR CORRECT VOLTAGE. ONLY CONNECT 120VAC TO 120V UNITS. WIRING DIAGRAM SHOWN WITH 2 HEATERS - QUANTITY MAY VARY

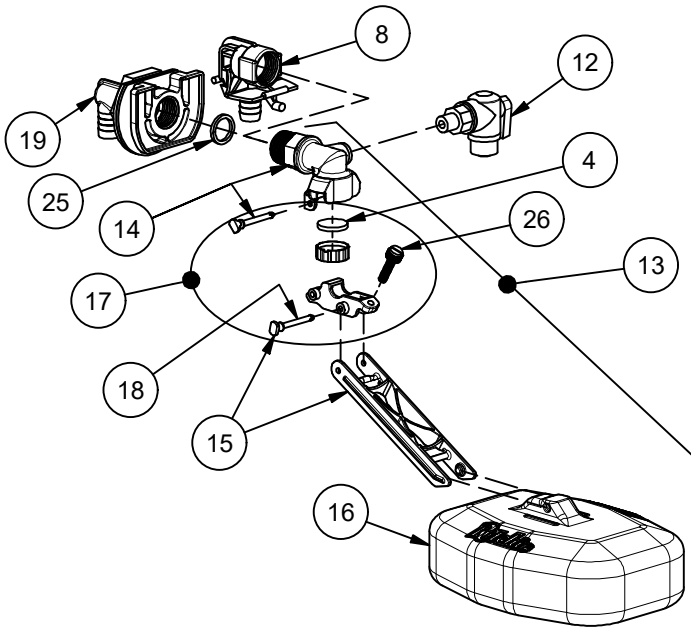
NOTE: Power cord may be supplied on select units to simplify installation. Use of a moisture resistant, exterior grade outlet is recommended in these units. Do not use extension cords.



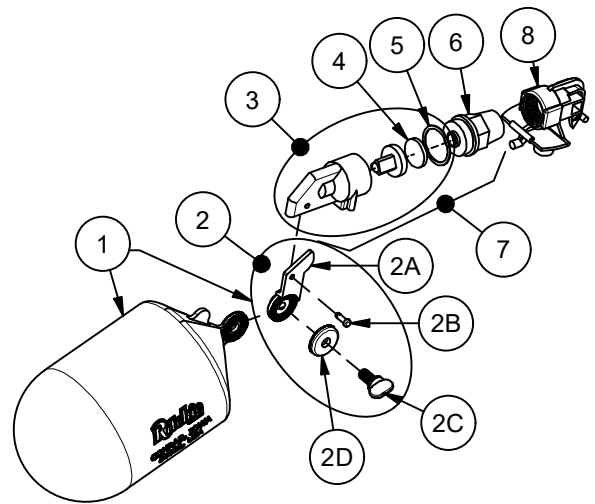
WARNING - CHECK NAMEPLATE FOR CORRECT VOLTAGE. ONLY CONNECT 230-240VAC TO 240V UNITS. WIRING DIAGRAM SHOWN WITH 2 HEATERS - QUANTITY MAY VARY

4/10/2023
Wiring-2023.dwg
TDU - Sheet: 1 of 1

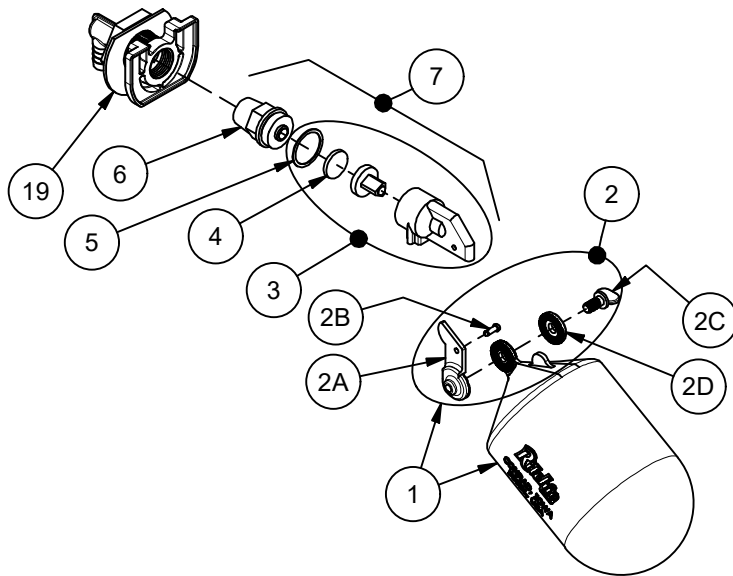
3/4" CATTLE VALVE & FLOAT CONFIGURATIONS



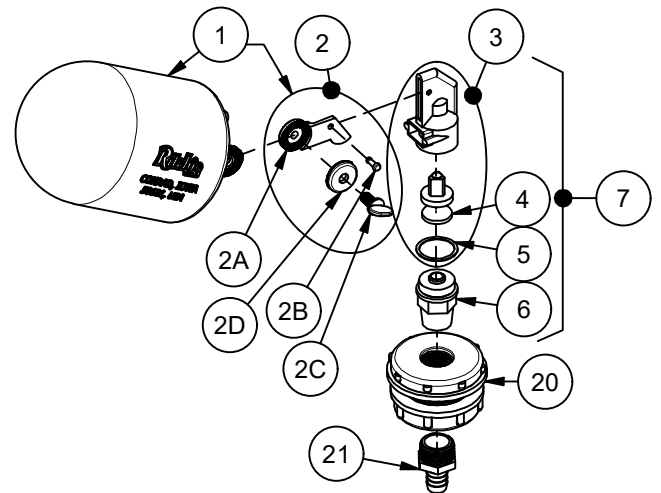
**WaterMaster 600, 800, 1200;
WaterMatic 300, 1000; Thrifty King CT 2,4,6;
CattleMaster, OmniMaster**



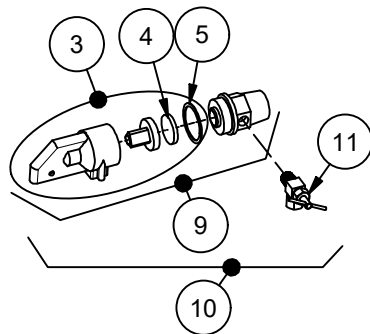
Cattle Fountain and OmniFount



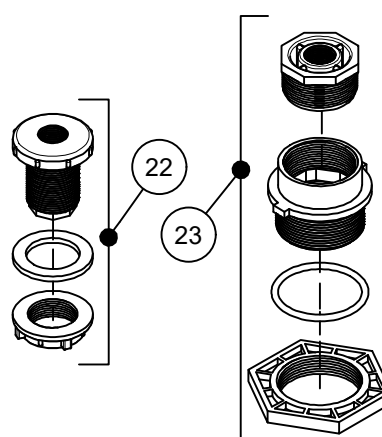
**Pre-2019 Units: WaterMaster 600, 800, 1200;
WaterMatic 300, 1000; Thrifty King CT 2,4,6**



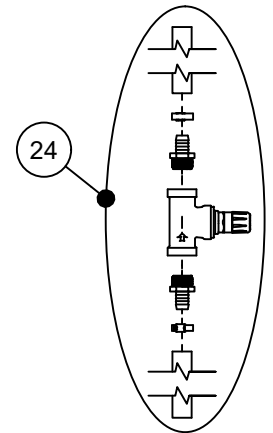
WC Large Valve



CattleMaster CF Conversion (PRE-2023)



Other WC adaptor parts

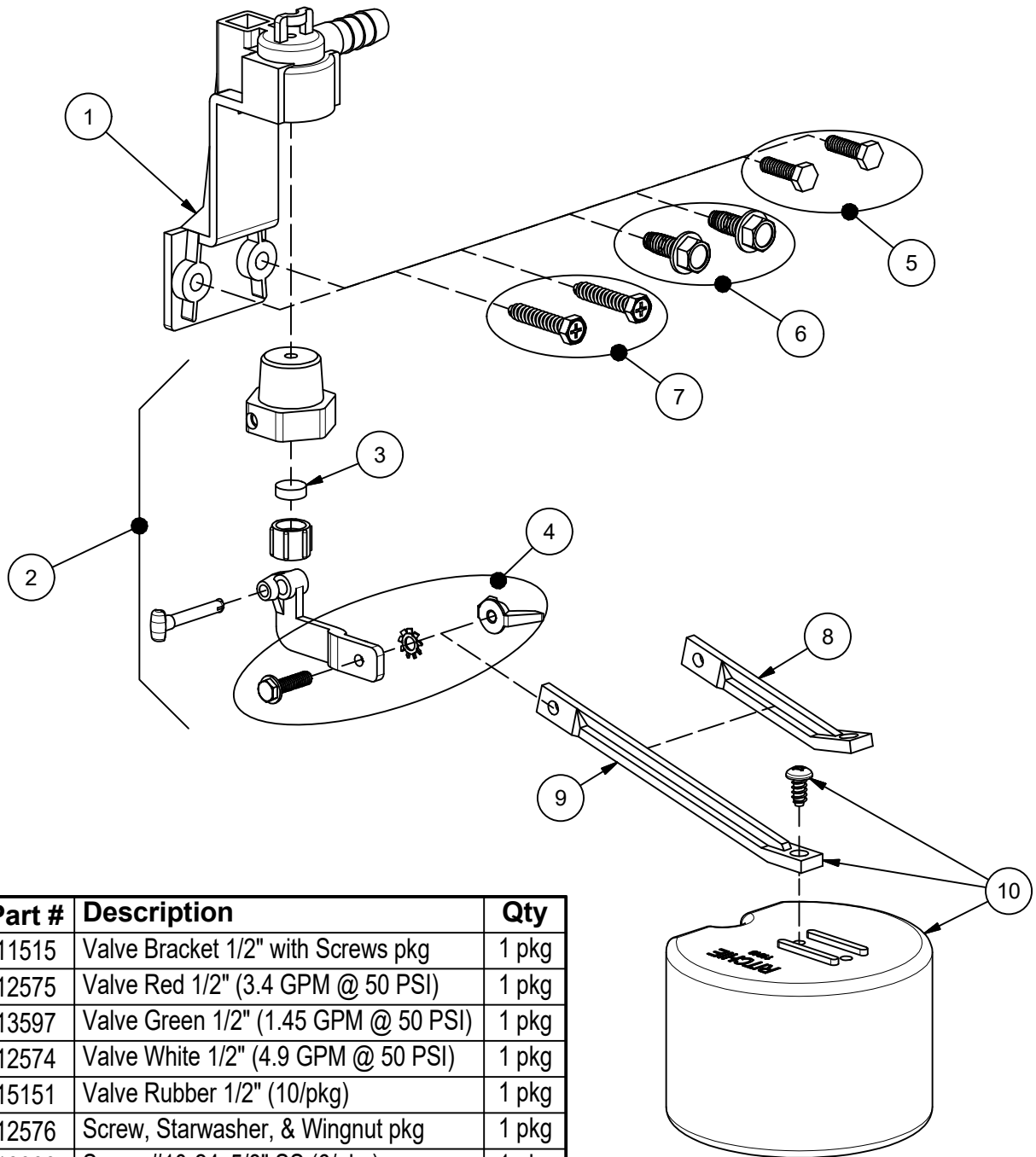


Pressure Reducing Valve

3/4" VALVE & FLOAT CONFIGURATIONS

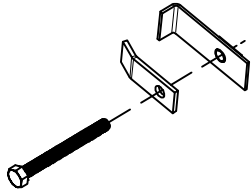
Item	Part #	Description
1	18314	Float w/ Hardware pkg
2	18313	Hardware for Float pkg
2A	18629	Valve Cam (2/pkg)
2B	18631	Valve Pin (2/pkg)
2C	18630	Valve Screw (2/pkg)
2D	18450	Valve Washer (2/pkg)
NS	18636	Valve 2" Ext (2/pkg) (Inc in 18314 & 18313)
3	15259	Plunger, Rubber, Body, & Gasket pkg
4	15152	Valve Rubber 3/4" (10/pkg)
5	18397	Valve Gasket (5/pkg)
6	18606	Valve Red 3/4" Male pkg
	18622	Valve Green 3/4" Male pkg
	18626	Valve White 3/4" Male pkg
7	11101	Valve Red 3/4" Male with Body pkg
	15377	Valve Green 3/4" Male with Body pkg
	16697	Valve White 3/4" Male with Body pkg
8	11514	Valve Bracket 3/4" pkg
9	11142	CF Valve Red 3/4" w/ Body pkg
10	16891	CF Valve Red 3/4" w/ Body & Petcock pkg
11	11793	CF Valve Brass 1/8" pkg
12	18839	Petcock Valve pkg
13	18832	HP 3/4" Valve Assembly (Bracket Not Included)
14	18833	HP Valve Body pkg
15	18834	HP Float Arm Pkg
16	18835	HP Float pkg
17	18836	HP Internal Parts pkg
18	18837	HP Valve Pin pkg (4/pkg)
19	18838	HP Bracket Assy pkg
20	18625	Bulkhead 3/4" pkg
21	18614	Adapter 3/4" x 5/8" HB pkg
22	18624	Non-Potable Adpt. 3/4" pkg
23	16551	Non-Potable Adpt. Kit 2" to 3/4" pkg
24	18649	Pressure Reducing Valve pkg 45psi
25	18475	O-ring Valve Seal Pkg (4/pkg)
26	18847	HP Screw pkg (2/pkg)

1/2" VALVE & FLOAT CONFIGURATION

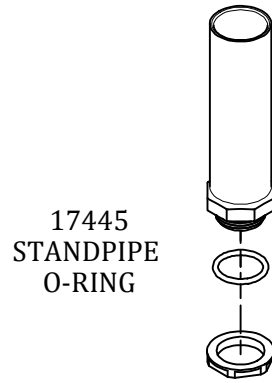


Item	Part #	Description	Qty
1	11515	Valve Bracket 1/2" with Screws pkg	1 pkg
2	12575	Valve Red 1/2" (3.4 GPM @ 50 PSI)	1 pkg
	13597	Valve Green 1/2" (1.45 GPM @ 50 PSI)	1 pkg
	12574	Valve White 1/2" (4.9 GPM @ 50 PSI)	1 pkg
3	15151	Valve Rubber 1/2" (10/pkg)	1 pkg
4	12576	Screw, Starwasher, & Wingnut pkg	1 pkg
5	18066	Screw #10-24x5/8" SS (6/pkg)	1 pkg
6	15154	Screw 1/4"-20x5/8" TC SS (10/pkg)	1 pkg
7	18709	Screw #10-14 x 1" PH P/T SS (4/pkg)	1 pkg
8	18634	Float Arm Short (2/pkg)	1 pkg
9	18635	Float Arm Long (2/pkg)	1 pkg
10	13613	Float with Short Arm pkg	1 pkg
	12836	Float with Long Arm pkg	1 pkg

ACCESSORIES AND COMMON PARTS

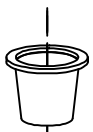


18147
ACCESS PANEL
HARDWARE PKG



17445
STANDPIPE
O-RING

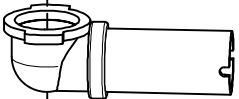
16866
STANDPIPE PKG
SMALL OMNI'S & AC'S



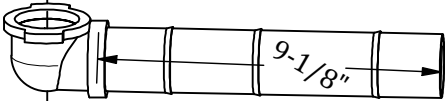
18628 DRAIN PLUG CUP PKG



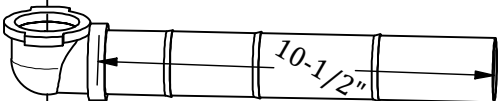
18075 DRAIN PIPE SEAL WASHER PKG



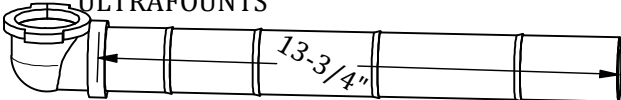
18790 DRAIN PIPE FOR ECO'S



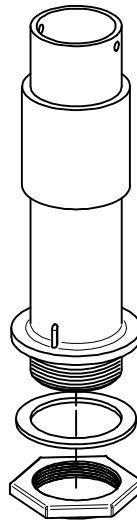
11471 DRAIN PIPE SMALL OMNI'S



11472 DRAIN PIPE FOR OMNI 3 AND
ULTRAFOUNTS

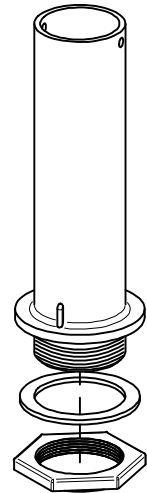


11473 DRAIN PIPE FOR OMNI 5 AND 10



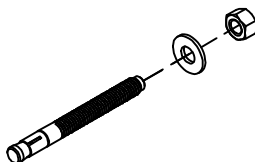
18324
STANDPIPE
WASHER
PKG

18797
NUT AND
WASHER
PKG

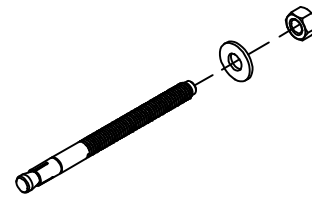


16629
STANDPIPE PKG
LARGE OMNI'S

18181
STANDPIPE PKG
CATTLEMASTER
OMNIMASTER

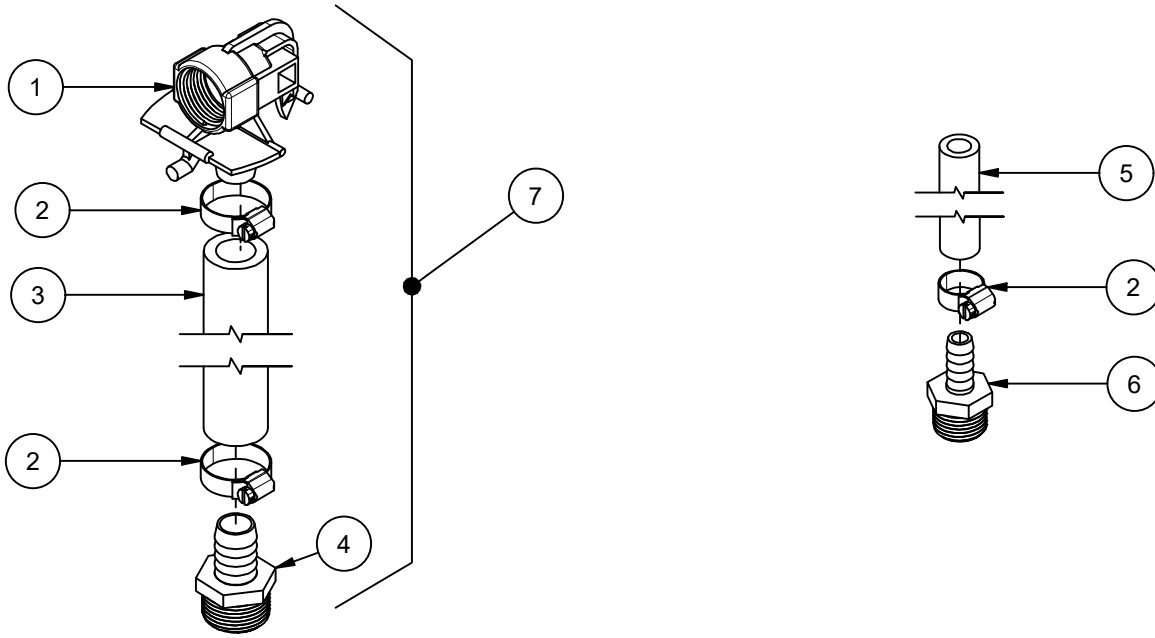


14261
ANCHOR BOLT 3/8" X 3-3/4" SS PKG



16555
ANCHOR BOLT 3/8" X 5" SS PKG

ITCHIE SUPPLY HOSE ASSEMBLIES



Item	Part #	Description	Qty/pkg
1	11514	Valve Bracket 3/4"	1
2	15931	Hose Clamp SS (5/pkg)	5
3	18600	Hose 5/8" x 36"	1
4	18614	Adapter 3/4" x 5/8" HB	1
5	18599	Hose 3/8" x 30"	1
6	18613	Adapter 1/2" x 3/8" HB	1
7	12583	Upper Trough 30" Supply Line Assy	1

SUPPLY HOSE

12420 Hose - 3/8" x 25ft. (15931 Clamp Required)

12423 Hose - 5/8" x 25ft. (15931 Clamp Required)

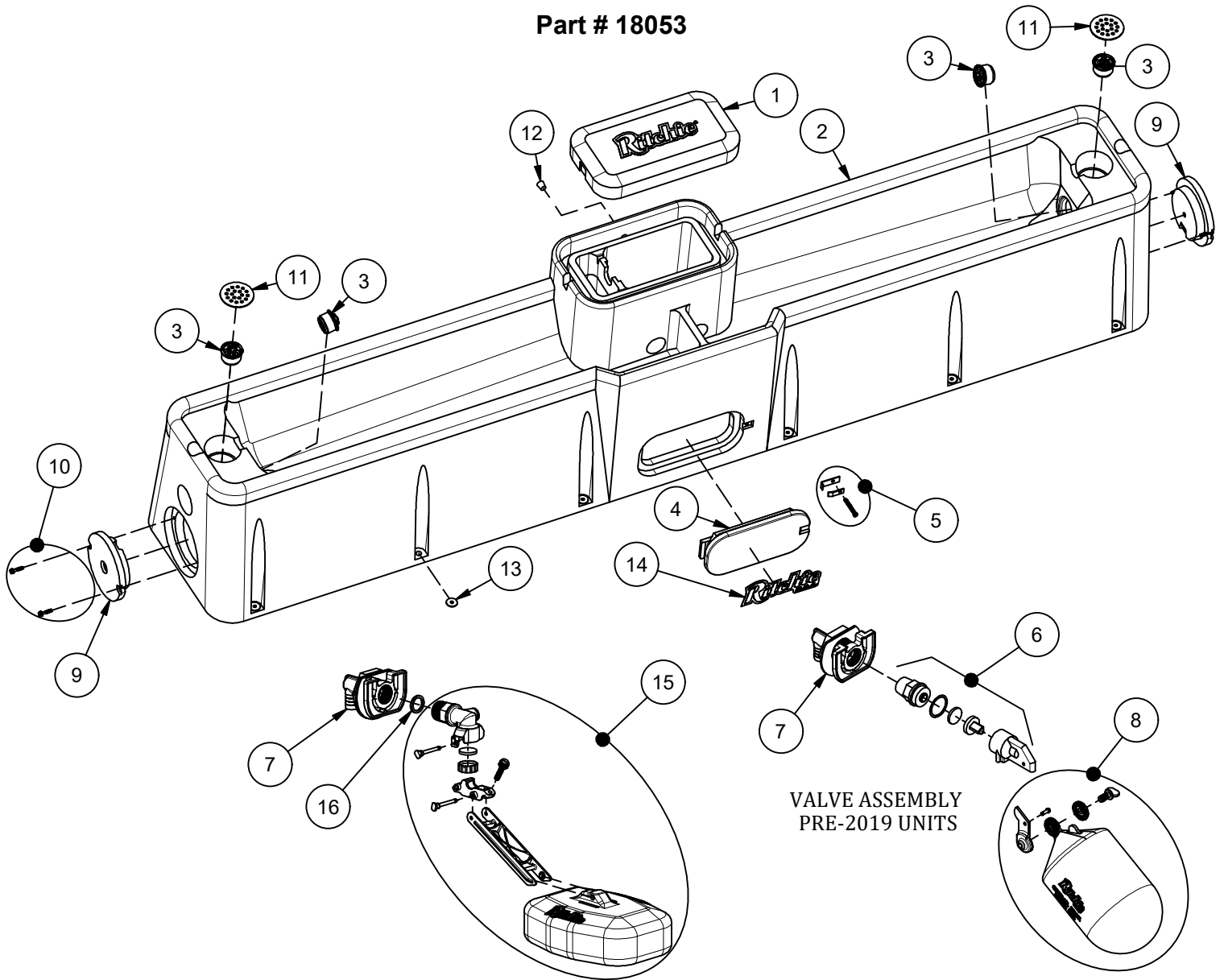
14859 Hose Insulation 3/4" x 4ft. Polyurethane

18599 Hose 3/8" x 30" Pkg

18600 Hose 5/8" x 36" Pkg

WaterMaster 1200

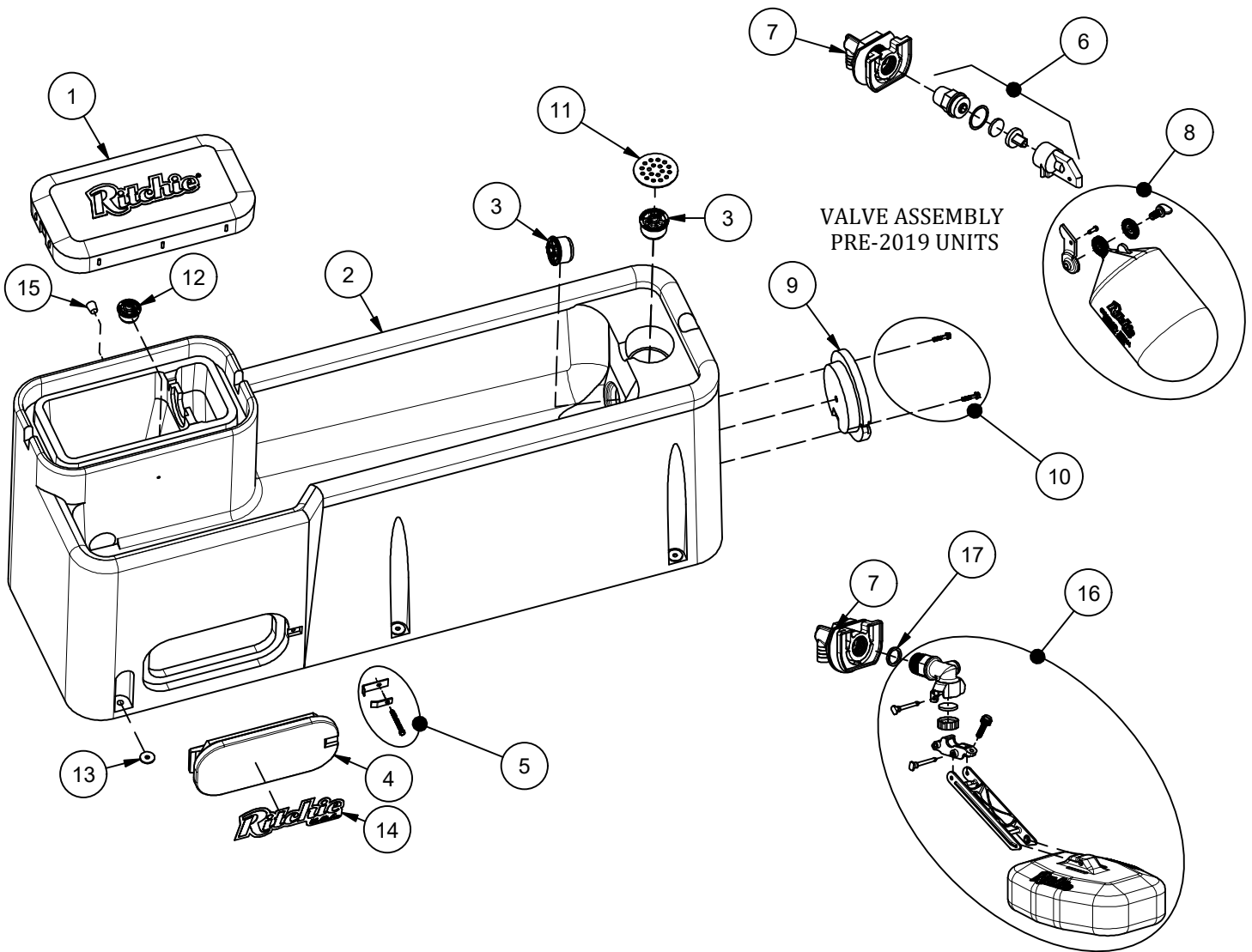
Part # 18053



Item	Part #	Description	Qty	Item	Part #	Description	Qty
1	18060	WaterMaster 1200 Cover	1	12	18633	Plug #3 - Channel Plug	1 pkg
2	18061	WaterMaster 1200 Base	1	13	18318	Bolt Down Washer (4/pkg)	3 pkgs
3	18470	Drain Plug Ritchie 3"	4 pkgs	14	18653	Ritchie Decal 12" (1/pkg)	1 pkg
4	16621	Access Panel 6"x14"	1	15	18832	HP 3/4" Valve Assembly	1
5	18147	Access Panel Hardware pkg	1 pkg	16	18475	O-Ring Valve Seal Pkg (4/pkg)	1
6	15377	Green Valve 3/4" Male pkg	1 pkg	NS	14866	Seal Foam 10' Roll	3
7	18838	VLV HP Brkt Assy pkg	1	NS	15931	Hose Clamp SS (5/pkg)	1 pkg
8	18314	Float with Hardware pkg	1 pkg	NS	18614	Adapter 3/4" x 5/8" HB	1 pkg
	18313	Hardware for Float pkg	1 pkg	NS	18140	WM 1200 Accessory pkg	1 pkg
9	16472	Access Panel Round	2	NS	18199	Constant Flow pkg - Optional	1 pkg
10	18878	Screw Pkg Rnd Access Panel	2 pkgs	NS	18203	AP Rnd Hardware OLD STYLE	2 pkgs
11	17194	Strainer	2				

WaterMaster 600

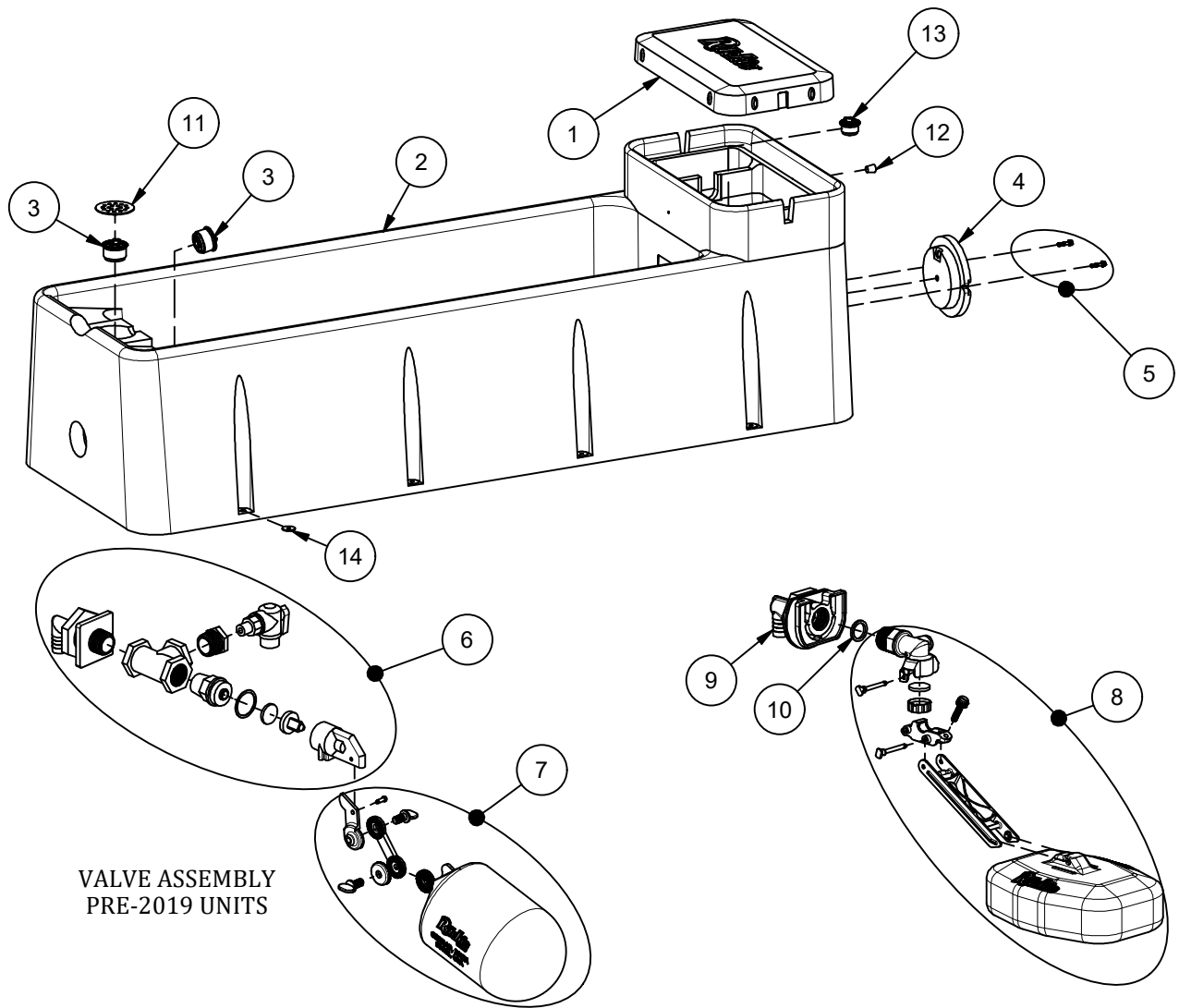
Part # 18171



Item	Part #	Description	Qty	Item	Part #	Description	Qty
1	18189	WaterMaster 600 Cover	1	13	18318	Bolt Down Washer (4/pkg)	2 pkgs
2	18191	WaterMaster 600 Base	1	14	18653	Ritchie Decal 12" (1/pkg)	1 pkg
3	18470	Drain Plug Ritchie 3"	2 pkgs	15	18633	Plug #3 - Water Channel	1 pkg
4	16621	Access Panel 6"x14"	1	16	18832	HP 3/4" Valve Assembly	1
5	18147	Access Panel Hardware pkg	1 pkg	17	18475	O-Ring Valve Seal Pkg (4/pkg)	1
6	15377	Green Valve 3/4" Male pkg	1 pkg	NS	14866	Seal Foam 10' Roll	2
7	18838	VLV HP Brkt Assy pkg	1	NS	18632	Cap for Trainer Hole	1 pkg
8	18314	Float with Hardware pkg	1 pkg	NS	15931	Hose Clamp SS (5/pkg)	1 pkg
	18313	Hardware for Float pkg	1 pkg	NS	18614	Adapter 3/4" x 5/8" HB	1 pkg
9	16472	Access Panel Round	1	NS	18903	WM Accessory pkg	1 pkg
10	18878	Screw Pkg Access Panel	1 pkg	NS	18877	Constant Flow pkg - Optional	1 pkg
11	17194	Strainer	1	NS	18624	Adapter - Opt. Non-potable	1 pkg
12	18849	Drain Plug Ritchie 2"	1 pkg	NS	18203	AP Rnd Hardware OLD STYLE	1 pkg

WaterMaster 96

Part # 18007

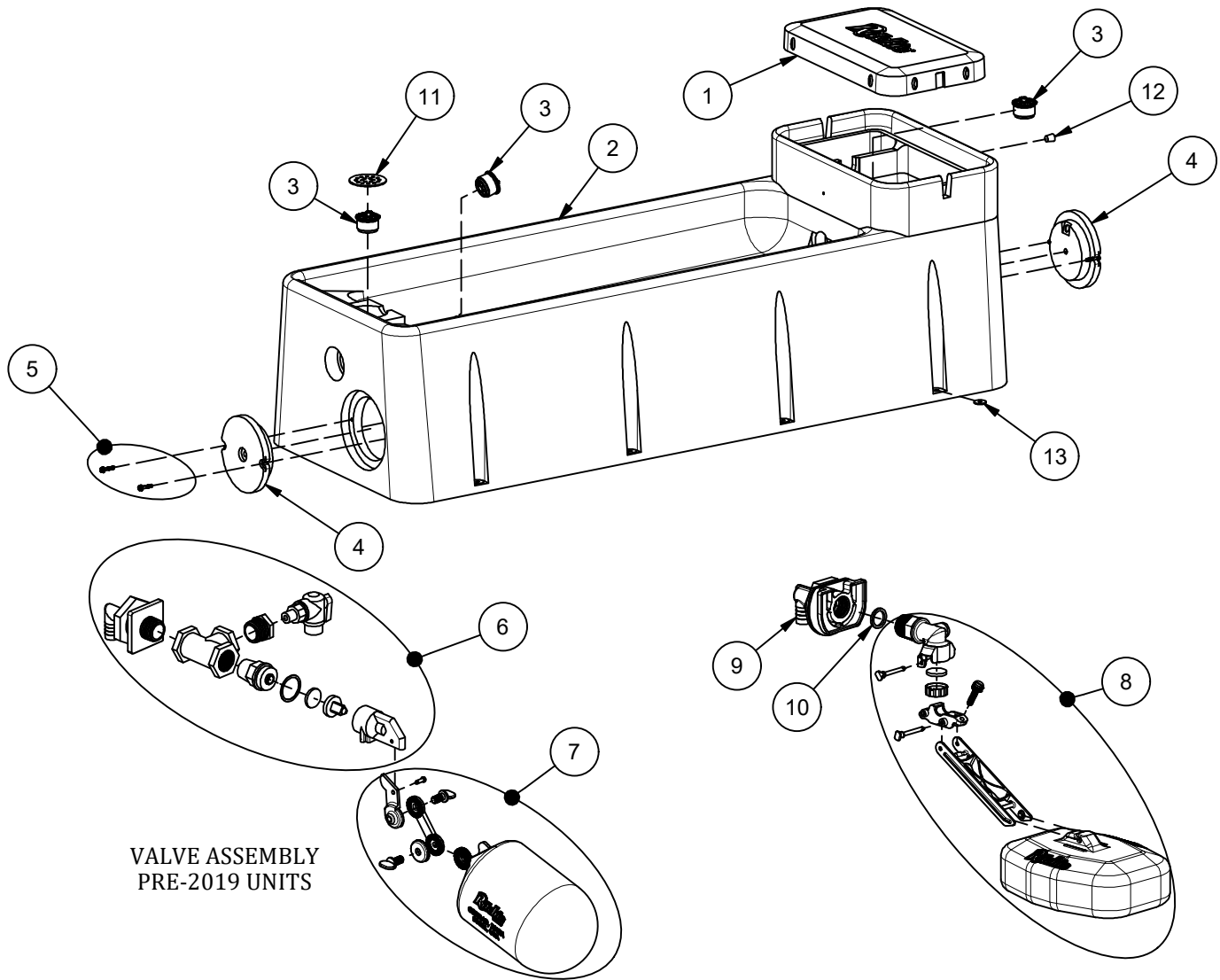


VALVE ASSEMBLY
PRE-2019 UNITS

Item	Part #	Description	Qty	Item	Part #	Description	Qty
1	16469	WaterMaster Cover	1	12	18633	Plug #3 - Channel	1 pkg
2	18040	WaterMaster 96 Base	1	13	18849	Drain Plug Ritchie 2"	1 pkg
3	18470	Drain Plug Ritchie 3"	2 pkgs	14	18318	Bolt Down Washer (4/pkg)	2 pkgs
4	16472	Access Panel Round	1	NS	14866	Seal Foam 10' Roll	2
5	18878	Screw Pkg Rnd Access Panel	1 pkg	NS	18632	Cap for Trainer Hole	1 pkg
6	16464	Valve WM Assembly pkg	1 pkg	NS	18877	Constant Flow Pkg	1
7	18314	Float with Hardware pkg	1 pkg	NS	15931	Hose Clamp SS (5/pkg)	1 pkg
	18313	Hardware for Float pkg	1 pkg	NS	18614	Adapter 3/4" x 5/8" HB	1 pkg
8	18832	HP 3/4" Valve Assembly	1	NS	18903	WM Accessory pkg	1 pkg
9	18838	VLV HP Brkt Assy pkg	1	NS	18624	Adapter - Opt. Non-potable	1 pkg
10	18475	O-Ring Valve Seal Pkg (4/pkg)	1 pkg	NS	18203	AP Rnd Hardware OLD STYLE	1 pkg
11	17194	Strainer	1				

WaterMaster 90

Part # 16467

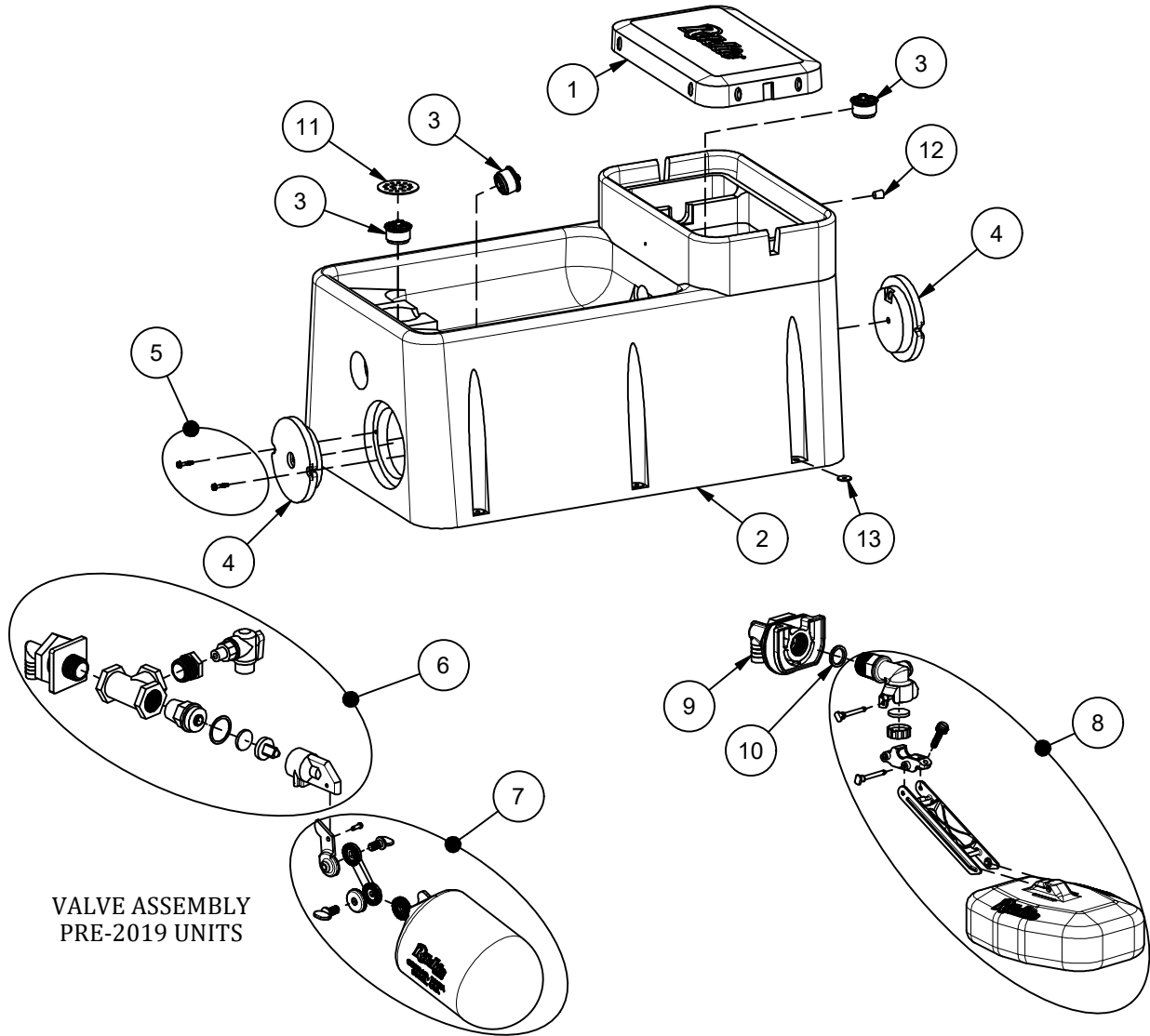


VALVE ASSEMBLY
PRE-2019 UNITS

Item	Part #	Description	Qty	Item	Part #	Description	Qty
1	16469	WaterMaster Cover	1	11	17194	Strainer	1
2	16468	WaterMaster 90 Base	1	12	18633	Plug #3 - Channel	1 pkg
3	18470	Drain Plug Ritchie 3"	3 pkgs	13	18318	Bolt Down Washer (4/pkg)	2 pkgs
4	16472	Access Panel Round	2	NS	14866	Seal Foam 10' Roll	2
5	18878	Screw Pkg Rnd Access Panel	2 pkgs	NS	18632	Cap for Trainer Hole	1 pkg
6	16464	Valve WM Assembly pkg	1 pkg	NS	18877	Constant Flow Pkg	1
7	18314	Float with Hardware pkg	1 pkg	NS	15931	Hose Clamp SS (5/pkg)	1 pkg
	18313	Hardware for Float pkg	1 pkg	NS	18614	Adapter 3/4" x 5/8" HB	1 pkg
8	18832	HP 3/4" Valve Assembly	1	NS	18903	WM Accessory pkg	1 pkg
9	18838	VLV HP Brkt Assembly pkg	1	NS	16551	Adapter - Opt. Non-potable	1
10	18475	O-Ring Valve Seal Pkg (4/pkg)	1	NS	18203	AP Rnd Hardware OLD STYLE	2 pkgs

WaterMaster 54

Part # 16542

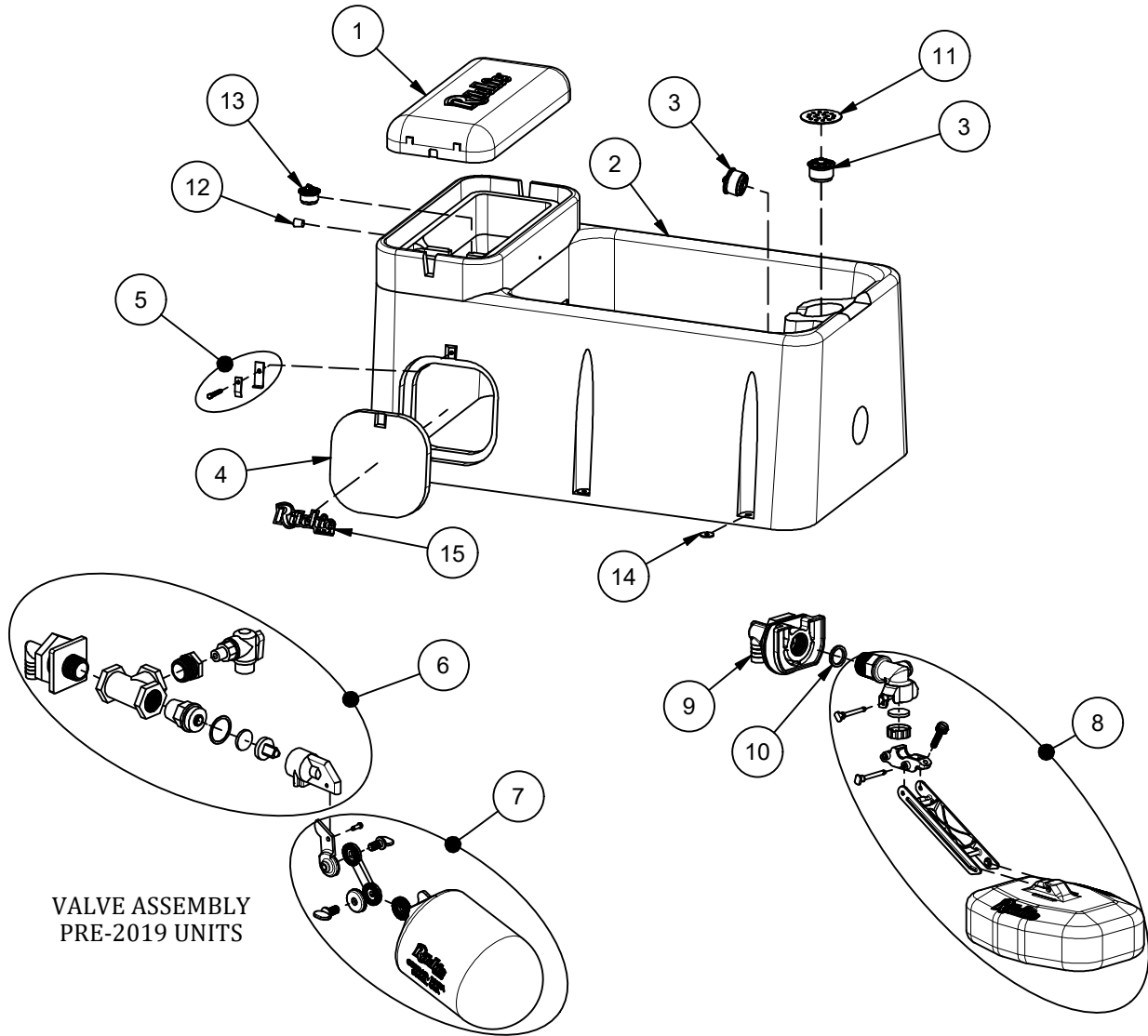


VALVE ASSEMBLY
PRE-2019 UNITS

Item	Part #	Description	Qty	Item	Part #	Description	Qty
1	16469	WaterMaster Cover	1	11	17194	Strainer	1
2	16550	WaterMaster 54 Base	1	12	18633	Plug #3 - Channel	1 Pkg
3	18470	Drain Plug Ritchie 3"	3 pkgs	13	18318	Bolt Down Washer (4/pkg)	2 pkgs
4	16472	Access Panel Round	2	NS	14866	Seal Foam 10' Roll	2
5	18878	Screw Pkg Rnd Access Panel	2 pkgs	NS	18632	Cap for Trainer Hole	1 pkg
6	16464	Valve WM Assembly pkg	1 pkg	NS	18877	Constant Flow Pkg	1
7	18314	Float with Hardware pkg	1 pkg	NS	15931	Hose Clamp SS (5/pkg)	1 pkg
	18813	Hardware for Float Pkg	1 Pkg	NS	18614	Adapter 3/4" x 5/8" HB	1 pkg
8	18832	HP 3/4" Valve Assembly	1	NS	18903	WM Accessory pkg	1 pkg
9	18838	VLV HP Brkt Assembly pkg	1	NS	18203	AP Rnd Hardware OLD STYLE	2 pkgs
10	18475	O-Ring Valve Seal Pkg (4/pkg)	1				

WaterMaster 54D

Part # 18355

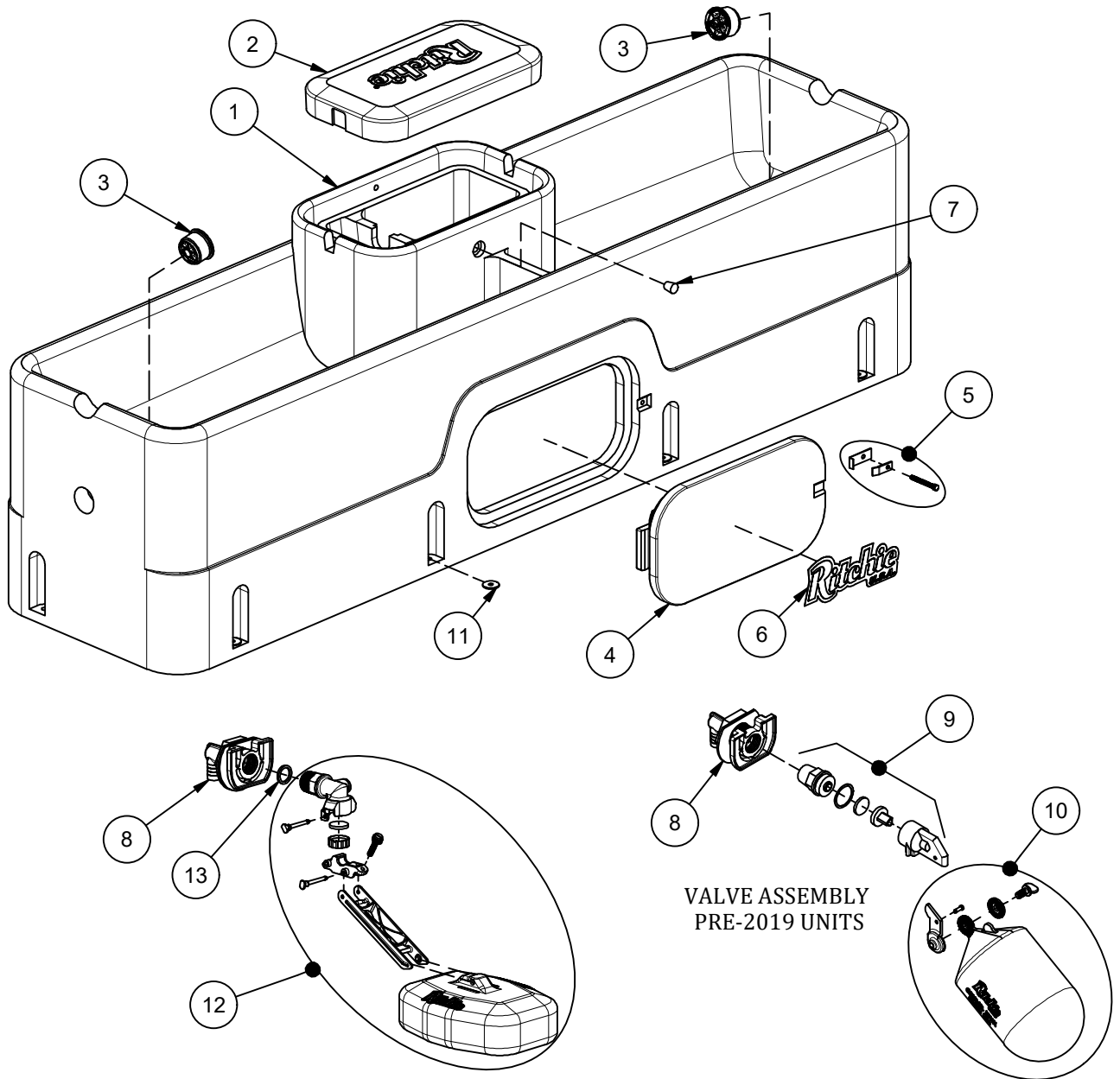


VALVE ASSEMBLY
PRE-2019 UNITS

Item	Part #	Description	Qty	Item	Part #	Description	Qty
1	18419	WaterMaster 54D Cover	1	12	18633	Plug #3 - Water Channel	1 pkg
2	18372	WaterMaster 54D Base	1	13	18849	Drain Plug Ritchie 2"	1 pkg
3	18470	Drain Plug Ritchie 3"	2 pkgs	14	18318	Bolt Down Washer (4/pkg)	2 pkgs
4	18370	Access Panel 10"x10"	1	15	18655	Ritchie Decal 7.5" (1/pkg)	1 pkg
5	18147	Access Panel Hardware pkg	1 pkg	NS	14866	Seal Foam 10' Roll	2
6	16464	Valve WM Assembly pkg	1 pkg	NS	18632	Cap for Trainer Hole	1 pkg
7	18314	Float with Hardware pkg	1 pkg	NS	18877	Constant Flow pkg	1
	18313	Hardware for Float pkg	1 pkg	NS	15931	Hose Clamp SS (5/pkg)	1 pkg
8	18832	HP 3/4" Valve Assembly	1	NS	18614	Adapter 3/4" x 5/8" HB	1 pkg
9	18838	VLV HP Brkt Assembly pkg	1	NS	18903	WM Accessory pkg	1 pkg
10	18475	O-Ring Valve Seal Pkg (4/pkg)	1 pkg	NS	18624	Adapter - Opt. Non-potable	1 pkg
11	17194	Strainer	1				

WaterMaster 800

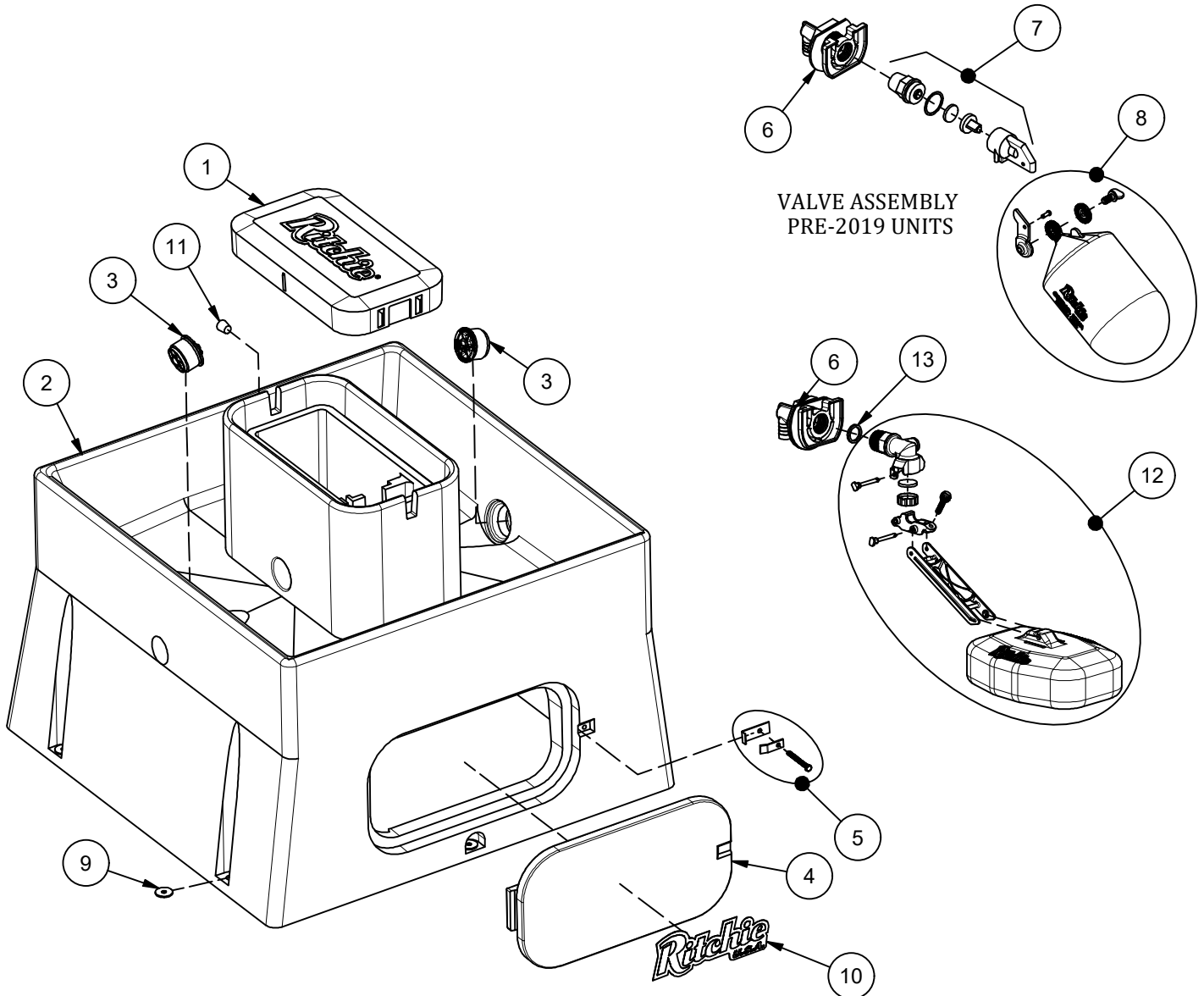
Part # 18820



Item	Part #	Description	Qty	Item	Part #	Description	Qty
1	18823	WM 800 Base	1	10	18314	Float with Hardware pkg	1 pkg
2	18828	WM 800 Cover	1		18313	Hardware for Float pkg	1 pkg
3	18470	Drain Plug Ritchie 3"	2 pkgs	11	18318	Bolt Down Washer (4/pkg)	2 pkgs
4	16562	Access Panel 10" x 20"	1	12	18832	HP 3/4" Valve Assembly	1
5	18147	Access Panel Hardware Pkg	1 pkg	13	18475	O-Ring Valve Seal Pkg (4/pkg)	1
6	18653	Ritchie Decal 12" (1/pkg)	1 pkg	NS	14866	Seal Foam 10' Roll	3
7	18633	Plug #3 - Channel Plug	1 pkg	NS	15931	Hose Clamp SS (5/pkg)	1 pkg
8	18838	HP Bracket Assy Pkg	1 pkg	NS	18614	Adapter 3/4" x 5/8" HB	1 pkg
9	15377	Green Valve 3/4" Male pkg	1 pkg	NS	18826	WM 800 Accessory pkg	1 pkg

WaterMatic 1000

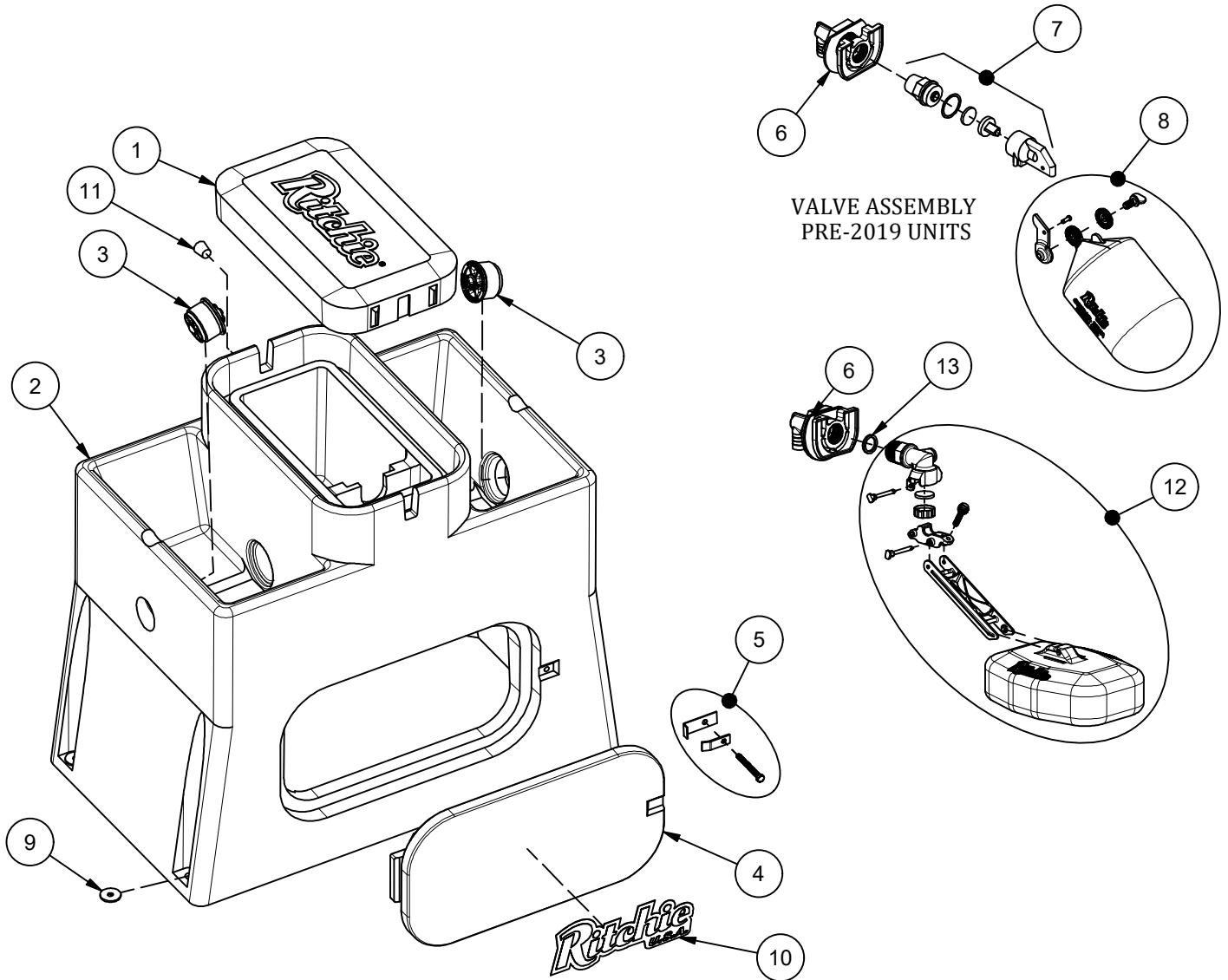
Part # 18110



Item	Part #	Description	Qty	Item	Part #	Description	Qty
1	18112	WaterMatic 1000 Cover	1	9	18318	Bolt Down Washer (4/pkg)	2 pks
2	18111	WaterMatic 1000 Base	1	10	18653	Ritchie Decal 12" (1/pkg)	1 pkg
3	18470	Drain Plug Ritchie 3"	3 pks	11	18633	Plug #3 - Water Channel	1 pkg
4	16562	Access Panel 10"x20"	1	12	18832	HP 3/4" Valve Assembly	1
5	18147	Access Panel Hardware pkg	1 pkg	13	18475	O-Ring Valve Seal Pkg (4/pkg)	1
6	18838	HP Bracket Assy Pkg	1 pkg	NS	14866	Seal Foam 10' Roll	2
7	15377	Green Valve 3/4" Male pkg	1 pkg	NS	15931	Hose Clamp SS (5/pkg)	1 pkg
8	18314	Float with Hardware pkg	1 pkg	NS	18614	Adapter 3/4" x 5/8" HB	1 pkg
	18313	Hardware for Float pkg	1 pkg	NS	18096	WMatic Large Accessory pkg	1 pkg

WaterMatic 300

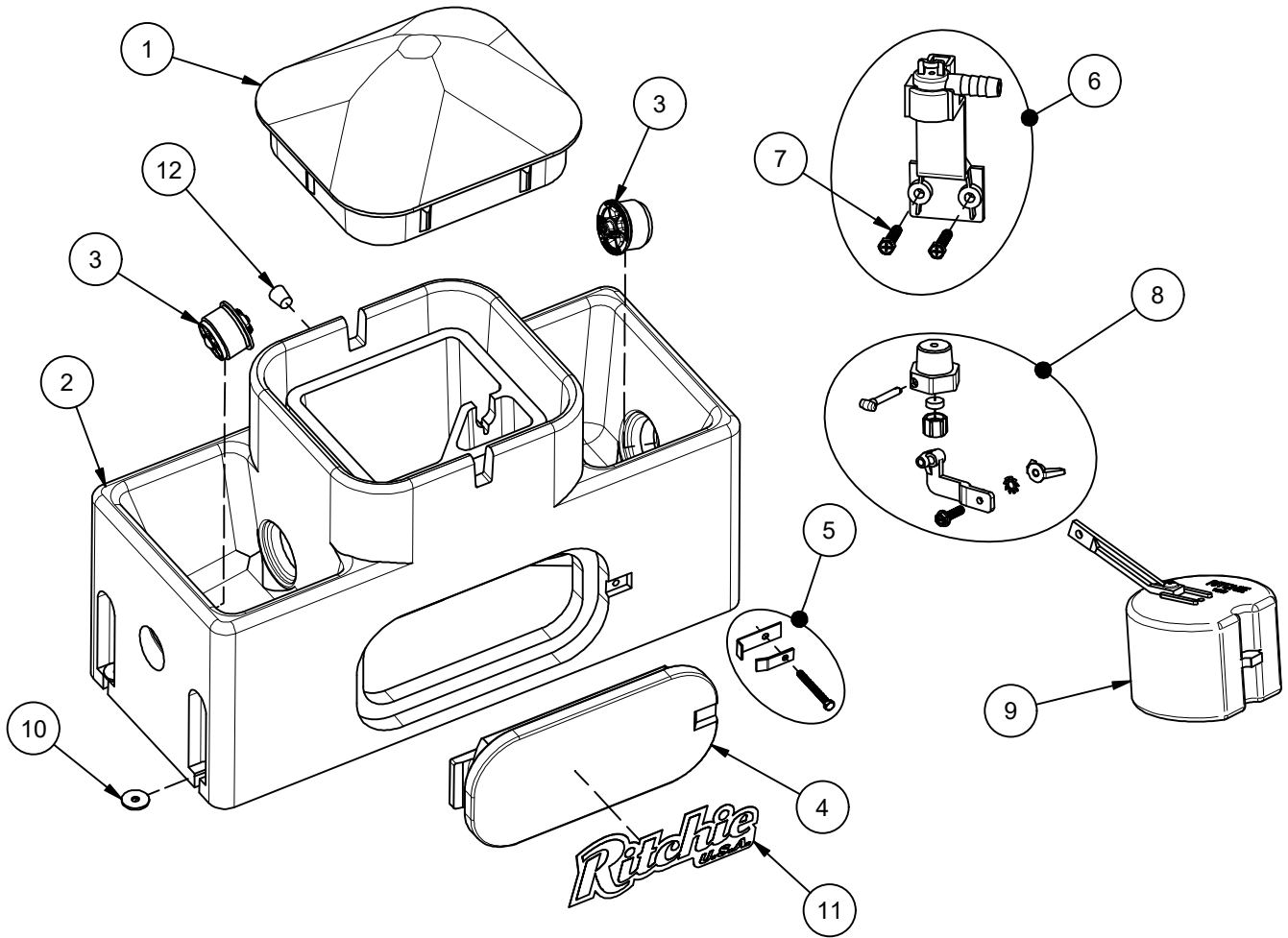
Part # 18050



Item	Part #	Description	Qty	Item	Part #	Description	Qty
1	18048	WaterMatic 300 Cover	1	9	18318	Bolt Down Washer (4/pkg)	2 pkgs
2	18049	WaterMatic 300 Base	1	10	18653	Ritchie Decal 12" (1/pkg)	1 pkg
3	18470	Drain Plug Ritchie 3"	2 pkgs	11	18633	Plug #3 - Water Channel	1 pkg
4	16562	Access Panel 10"x20"	1	12	18832	HP 3/4" Valve Assembly	1
5	18147	Access Panel Hardware pkg	1 pkg	13	18475	O-Ring Valve Seal Pkg (4/pkg)	1
6	18838	HP Bracket Assy Pkg	1 pkg	NS	14866	Seal Foam 10' Roll	2
7	15377	Green Valve 3/4" Male pkg	1 pkg	NS	15931	Hose Clamp SS (5/pkg)	1 pkg
8	18314	Float with Hardware pkg	1 pkg	NS	18614	Adapter 3/4" x 5/8" HB	1 pkg
	18313	Hardware for Float pkg	1 pkg	NS	18096	WMatic Large Accessory pkg	1 pkg

WaterMatic 150S

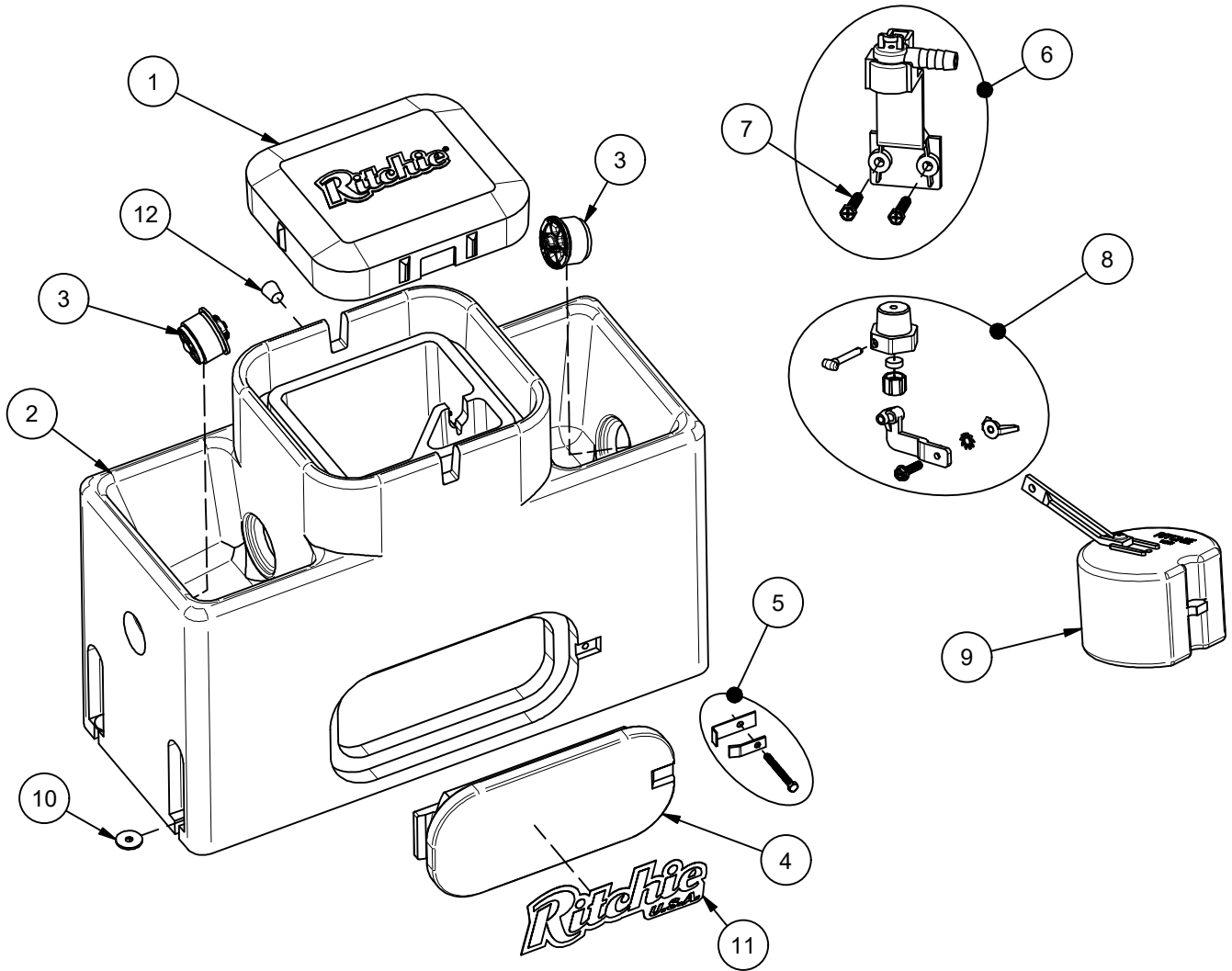
Part # 18222



Item	Part #	Description	Qty	Item	Part #	Description	Qty
1	18223	WaterMatic 150S Cover	1	9	13613	Float with Short Arm pkg	1 pkg
2	18224	WaterMatic 150S Base	1	10	18318	Bolt Down Washer (4/pkg)	1 pkg
3	18470	Drain Plug Ritchie 3"	2 pkgs	11	18653	Ritchie Decal 12" (1/pkg)	1 pkg
4	16621	Access Panel 6"x14"	1	12	18633	Plug #3 - Water Channel (2/pkg)	1 pkg
5	18147	Access Panel Hardware pkg	1 pkg	NS	14866	Seal Foam 10' Roll	1
6	11515	Valve Bracket w/ screw pkg	1 pkg	NS	15931	Hose Clamp SS (5/pkg)	1 pkg
7	18709	Screw Valve Mount (4/pkg)	1 pkg	NS	18613	Adapter 1/2" x 3/8" HB	1 pkg
8	12575	Red Valve 1/2" pkg	1 pkg	NS	18187	WMatic Small Accessory pkg	1 pkg

WaterMatic 150

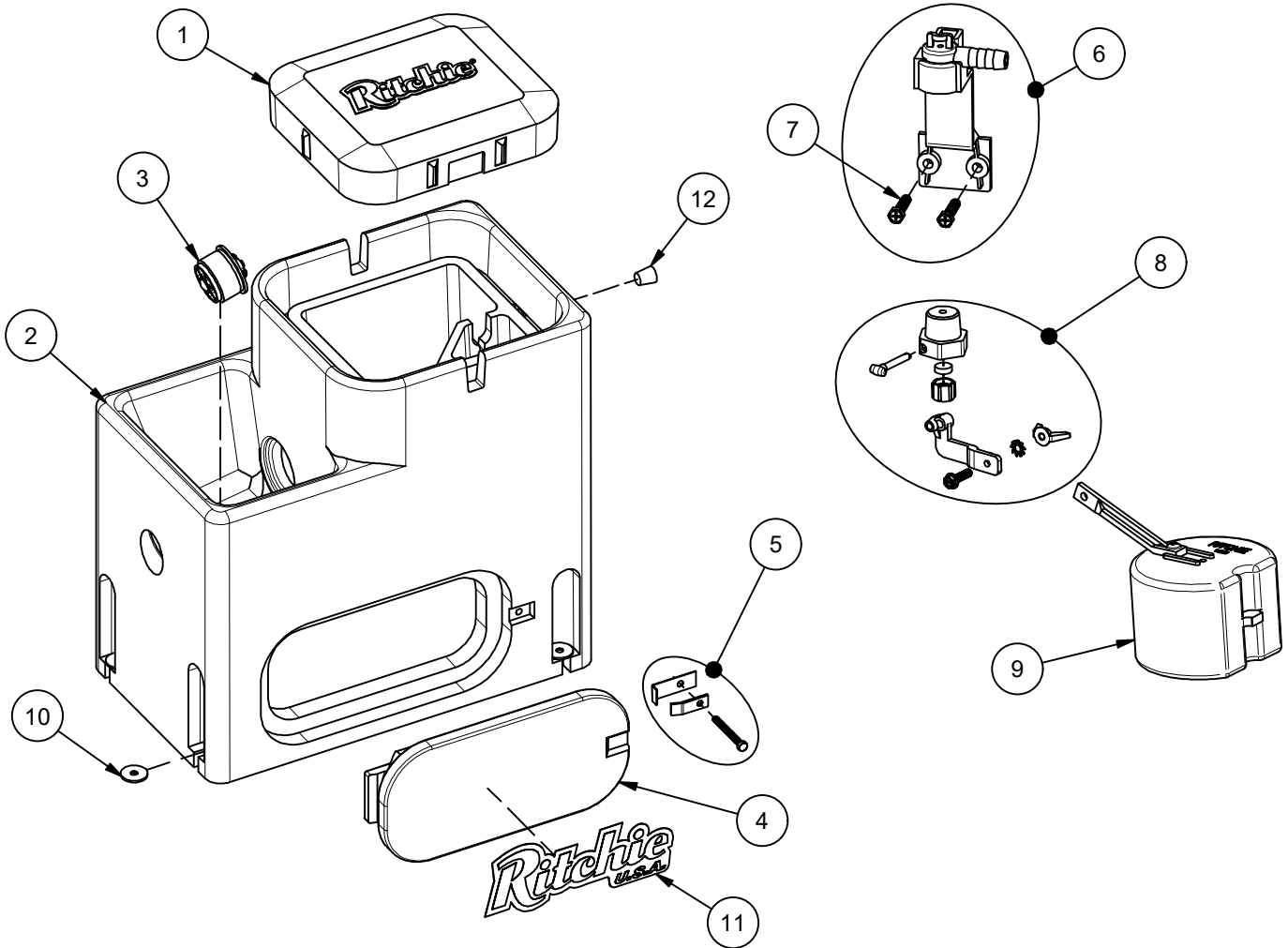
Part # 18166



Item	Part #	Description	Qty	Item	Part #	Description	Qty
1	18167	WaterMatic 100/150 Cover	1	9	13613	Float with Short Arm pkg	1 pkg
2	18169	WaterMatic 150 Base	1	10	18318	Bolt Down Washer (4/pkg)	1 pkg
3	18470	Drain Plug Ritchie 3"	2 pkgs	11	18653	Ritchie Decal 12" (1/pkg)	1 pkg
4	16621	Access Panel 6"x14"	1	12	18633	Plug #3 - Water Channel (2/pkg)	1 pkg
5	18147	Access Panel Hardware pkg	1 pkg	NS	14866	Seal Foam 10' Roll	1
6	11515	Valve Bracket w/ screw pkg	1 pkg	NS	15931	Hose Clamp SS (5/pkg)	1 pkg
7	18709	Screw Valve Mount (4/pkg)	1 pkg	NS	18613	Adapter 1/2" x 3/8" HB	1 pkg
8	12575	Red Valve 1/2" pkg	1 pkg	NS	18187	WMatic Small Accessory pkg	1 pkg

WaterMatic 100

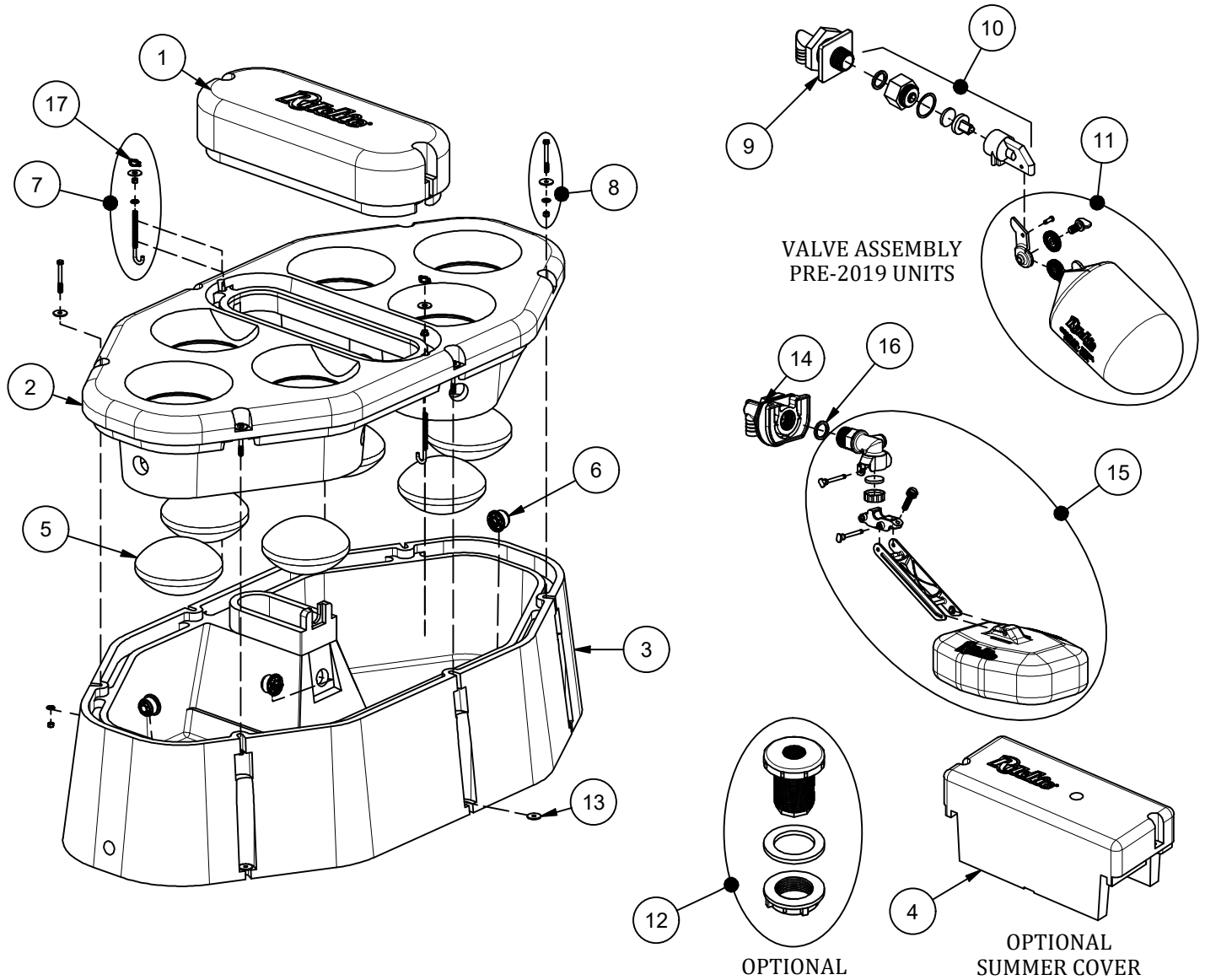
Part # 18165



Item	Part #	Description	Qty	Item	Part #	Description	Qty
1	18167	WaterMatic 100/150 Cover	1	9	13613	Float with Short Arm pkg	1 pkg
2	18168	WaterMatic 100 Base	1	10	18318	Bolt Down Washer (4/pkg)	1 pkg
3	18470	Drain Plug Ritchie 3"	1 pkg	11	18653	Ritchie Decal 12" (1/pkg)	1 pkg
4	16621	Access Panel 6"x14"	1	12	18633	Plug #3 - Water Channel (2/pkg)	1 pkg
5	18147	Access Panel Hardware pkg	1 pkg	NS	14866	Seal Foam 10' Roll	1
6	11515	Valve Bracket w/ screw pkg	1 pkg	NS	15931	Hose Clamp SS (5/pkg)	1 pkg
7	18709	Screw Valve Mount (4/pkg)	1 pkg	NS	18613	Adapter 1/2" x 3/8" HB	1 pkg
8	12575	Red Valve 1/2" pkg	1 pkg	NS	18187	WMatic Small Accessory pkg	1 pkg

Thrifty King CT6

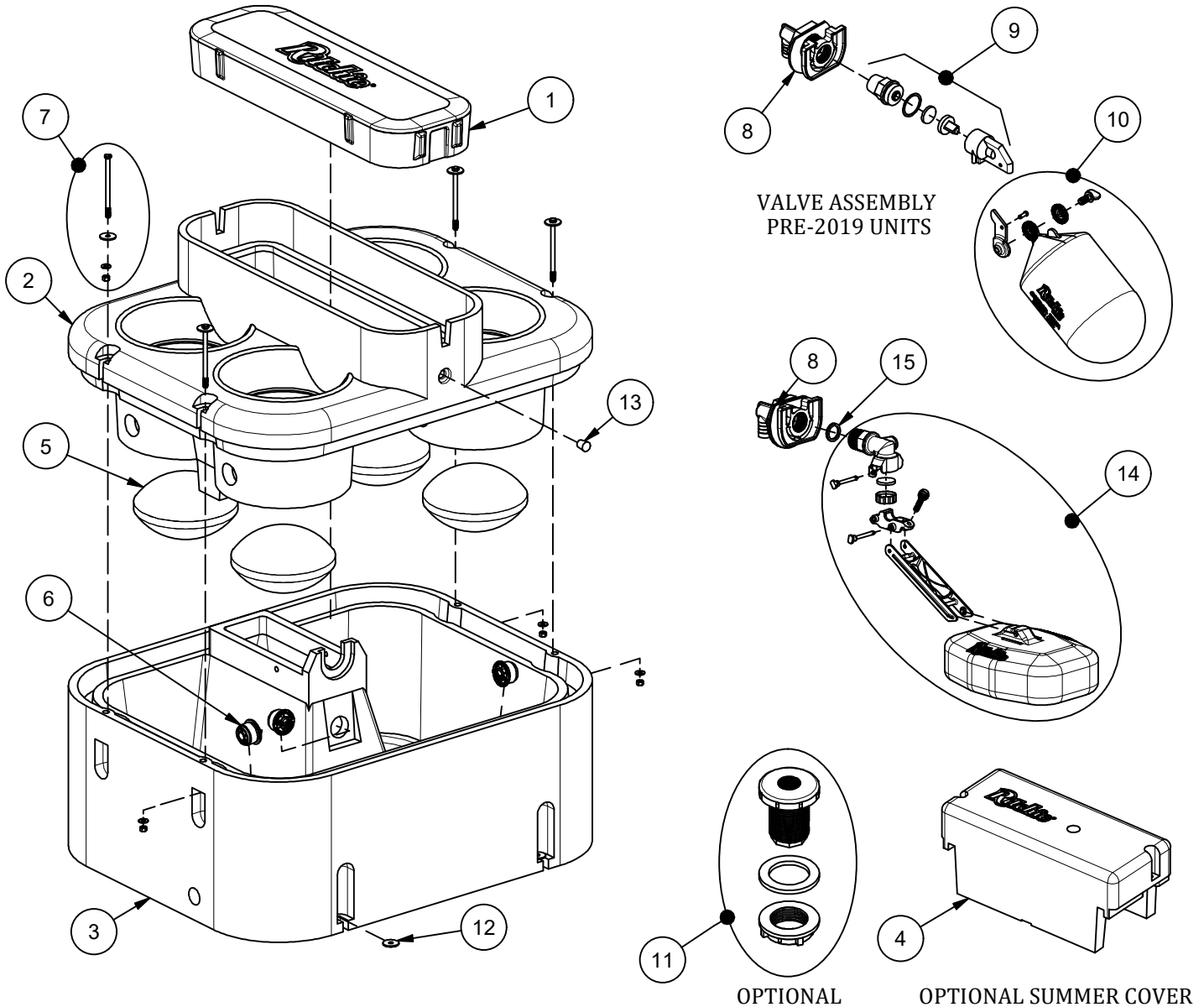
Part # 16440



Item	Part #	Description	Qty	Item	Part #	Description	Qty
1	16391	Thrifty King CT6 Cover	1	13	18318	Bolt Down Washer (4/pkg)	2 pkgs
2	16443	Thrifty King CT6 Top	1	14	18838	Valve HP Brkt Assembly pkg.	1 pkg
3	16442	Thrifty King CT6 Base	1	15	18832	HP 3/4" Valve Assembly	1
4	16474	Optional TK CT Summer Cover	1	16	18475	O-Ring Valve Seal Pkg (4/pkg)	1
5	16305	Elliptical Closures	6	17	18451	Wing Nut 3/8" Nylon (4/pkg)	1 pkg
6	18849	Ritchie Plug 2" pkg	3 pkgs	NS	14866	Seal Foam 10' Roll	2
7	16540	J-Bolt CT6 SS (2/pkg)	1 pkg	NS	14859	Pipe Insulation	1
8	16288	Top Bolt, Wshr, & Nut SS (2/pkg)	3 pkgs	NS	15931	Hose Clamp SS (5/pkg)	1 pkg
9	16422	Valve Bracket with Nut	1 pkg	NS	18614	Adapter 3/4" x 5/8" HB	1 pkg
10	16419	Green Valve 3/4" Female pkg	1 pkg	NS	16441	TK CT6 Accessory pkg	1 pkg
11	18314	Float with Hardware pkg	1 pkg	NS	16646	Opt. Ribbed Elliptical Closures	6
12	18624	Optional Non-Potable Vlv Adptr	1 pkg				

Thrifty King CT4-2000

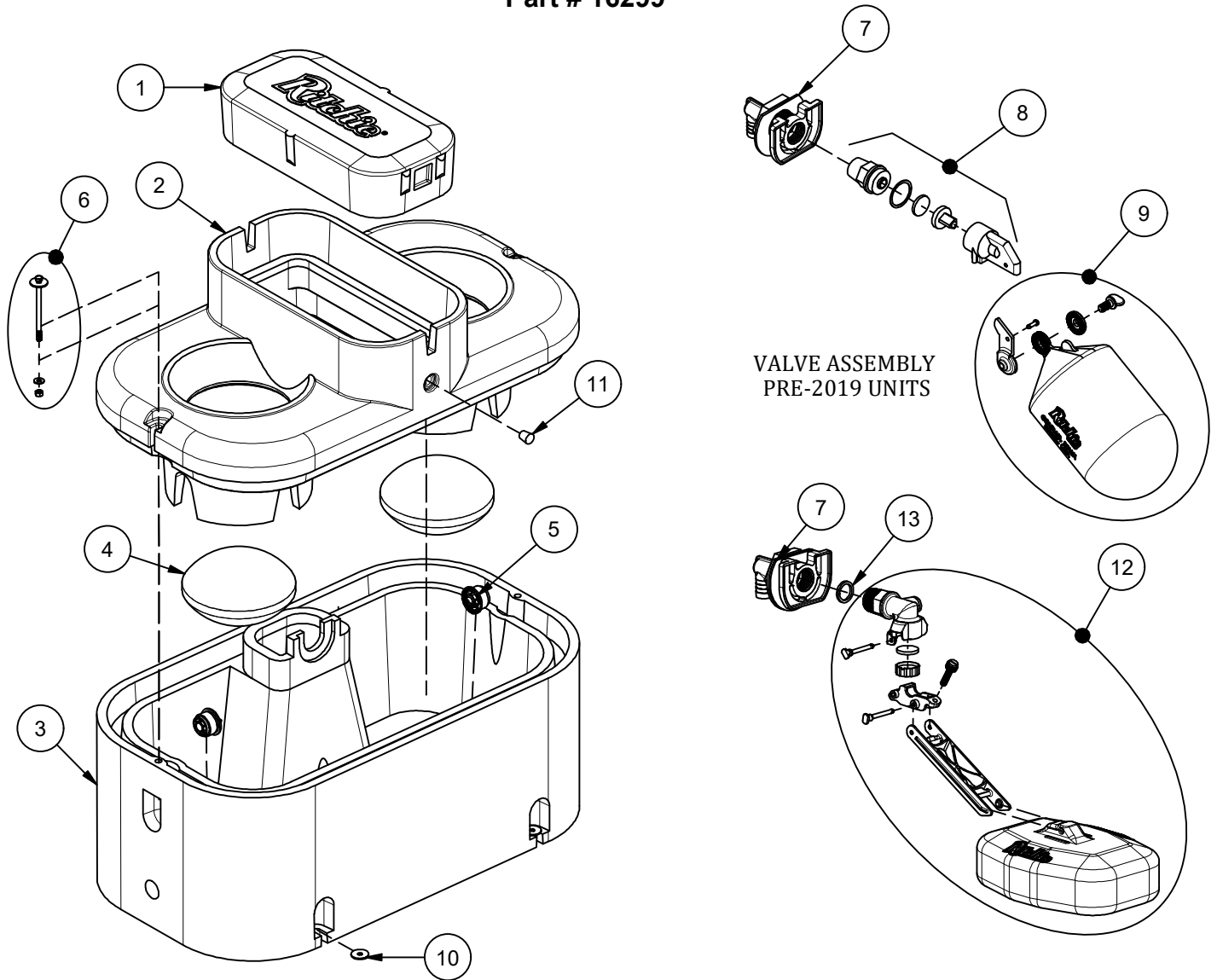
Part # 16430



Item	Part #	Description	Qty	Item	Part #	Description	Qty
1	18121	Thrifty King CT4 Cover	1	11	18624	Optional Non-Potable Vlv Adptr	1 pkg
2	18120	Thrifty King CT4 Top	1	12	18318	Bolt Down Washer (4/pkg)	1 pkg
3	18119	Thrifty King CT4 Base	1	13	18633	Plug #3 - Water Channel	1 pkg
4	18090	Optional TK CT Summer Cover	1	14	18832	HP 3/4" Valve Assembly	1
5	16305	Elliptical Closures	4	15	18475	O-Ring Valve Seal Pkg (4/pkg)	1
6	18849	Ritchie 2" Plug pkg	3 pkgs	NS	14866	Seal Foam 10' Roll	2
7	16538	Top Bolt, Wshr, & Nut (2/pkg)	2 pkgs	NS	14859	Pipe Insulation	1
8	18838	VLV HP Brkt Assy pkg	1 pkg	NS	15931	Hose Clamp SS (5/pkg)	1 pkg
9	15377	Green Valve 3/4" Male pkg	1 pkg	NS	18614	Adapter 3/4" x 5/8" HB	1 pkg
10	18314	Float with Hardware pkg	1 pkg	NS	18155	TK CT 4 Accessory pkg	1 pkg
	18313	Hardware for Float pkg	1 pkg	NS	16646	Opt. Ribbed Elliptical Closures	4

Thrifty King CT2-2000

Part # 16299

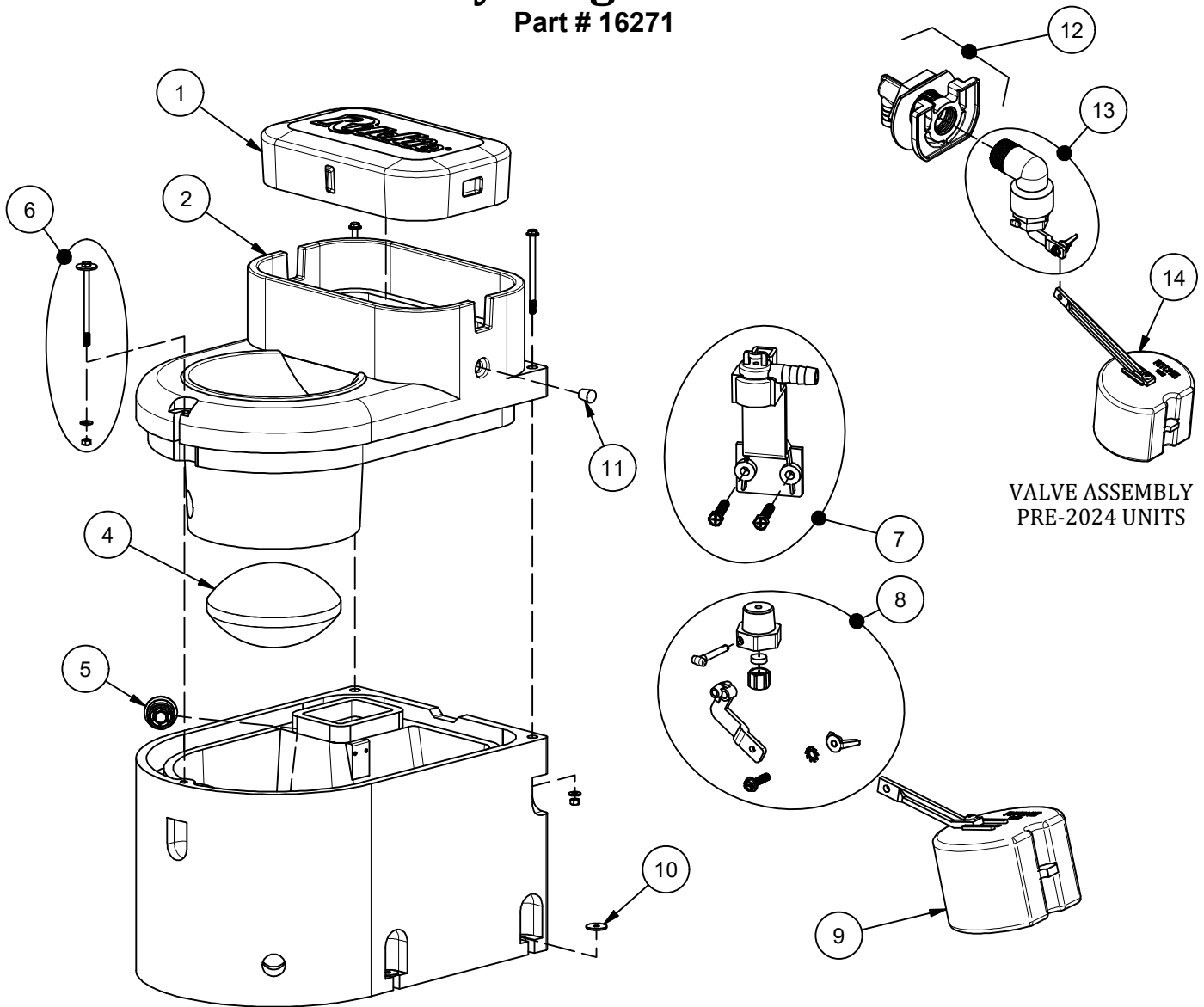


VALVE ASSEMBLY
PRE-2019 UNITS

Item	Part #	Description	Qty	Item	Part #	Description	Qty
1	16893	Thrifty King CT2 Cover	1	10	18318	Bolt Down Washer (4/pkg)	1 pkg
2	16894	Thrifty King CT2 Top	1	11	18633	Plug #3 - Water Channel	1 pkg
3	16895	Thrifty King CT2 Base	1	12	18832	HP 3/4" Valve Assembly	1
4	16305	Elliptical Closures	2	13	18475	O-Ring Valve Seal Pkg (4/pkg)	1
5	18849	Ritchie 2" Plug pkg	2 pkgs	NS	14866	Seal Foam 10' Roll	2
6	16538	Top Bolt, Wshr, & Nut (2/pkg)	1 pkg	NS	14859	Pipe Insulation	1
7	18838	VLV HP Brkt Assy pkg	1 pkg	NS	15931	Hose Clamp SS (5/pkg)	1 pkg
8	15377	Green Valve 3/4" Male pkg	1 pkg	NS	18614	Adapter 3/4" x 5/8" HB	1 pkg
9	18314	Float with Hardware pkg	1 pkg	NS	18340	TK CT2 Accessory pkg	1 pkg
	18313	Hardware for Float pkg	1 pkg	NS	16646	Opt. Ribbed Elliptical Closures	2

Thrifty King CT1-2000

Part # 16271

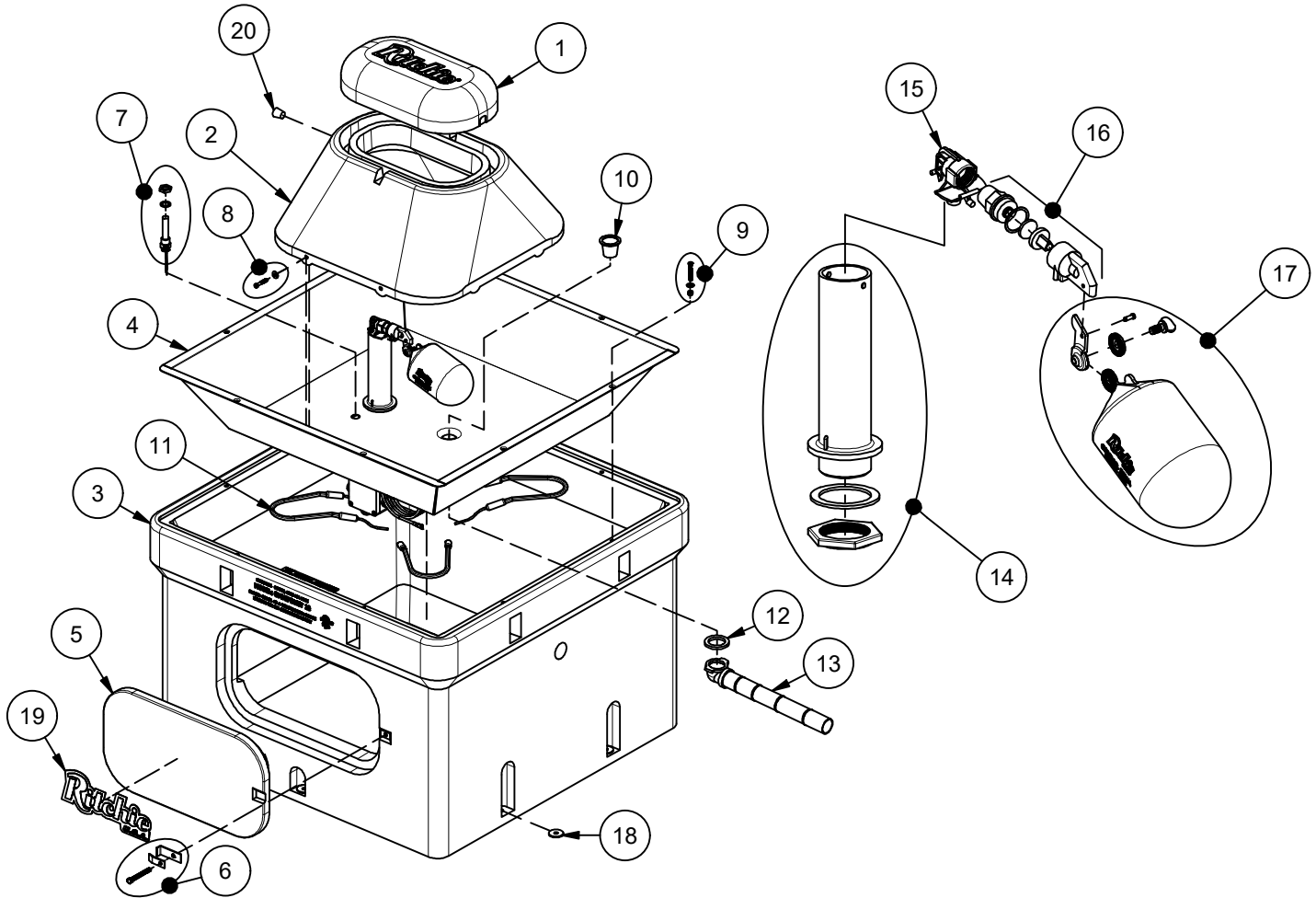


VALVE ASSEMBLY
PRE-2024 UNITS

Item	Part #	Description	Qty	Item	Part #	Description	Qty
1	16861	Thrifty King CT1 Cover	1	12	18838	VLV HP Brkt Assy pkg	1 pkg
2	16860	Thrifty King CT1 Top	1	13	16899	Valve 1/2" White W/ Adpt pkg	1 pkg
3	16859	Thrifty King CT1 Base	1		18692	Valve 1/2" Red W/ Adpt pkg	1 pkg
4	16305	Elliptical Closures	1	14	12836	Float with Long Arm pkg	1 pkg
5	18849	Ritchie 2" Plug pkg	1 pkg				
6	16538	Top Bolt, Wshr, & Nut (2/pkg)	2 pkgs	NS	14866	Seal Foam 10' Roll	1
7	11515	Valve Brkt 1/2" w/Screws pkg	1 pkg	NS	14859	Pipe Insulation	1
8	12575	Red Valve 1/2" Male pkg	1 pkg	NS	18614	Adapter 3/4" x 5/8" HB	1 pkg
9	13613	Float with Short Arm pkg	1 pkg	NS	16857	TK CT1 Accessory pkg	1 pkg
10	18318	Bolt Down Washer (4/pkg)	1 pkg	NS	16646	Opt. Ribbed Elliptical Closures	1
11	18633	Plug #3 - Water Channel	1 pkg				

OmniFount 10

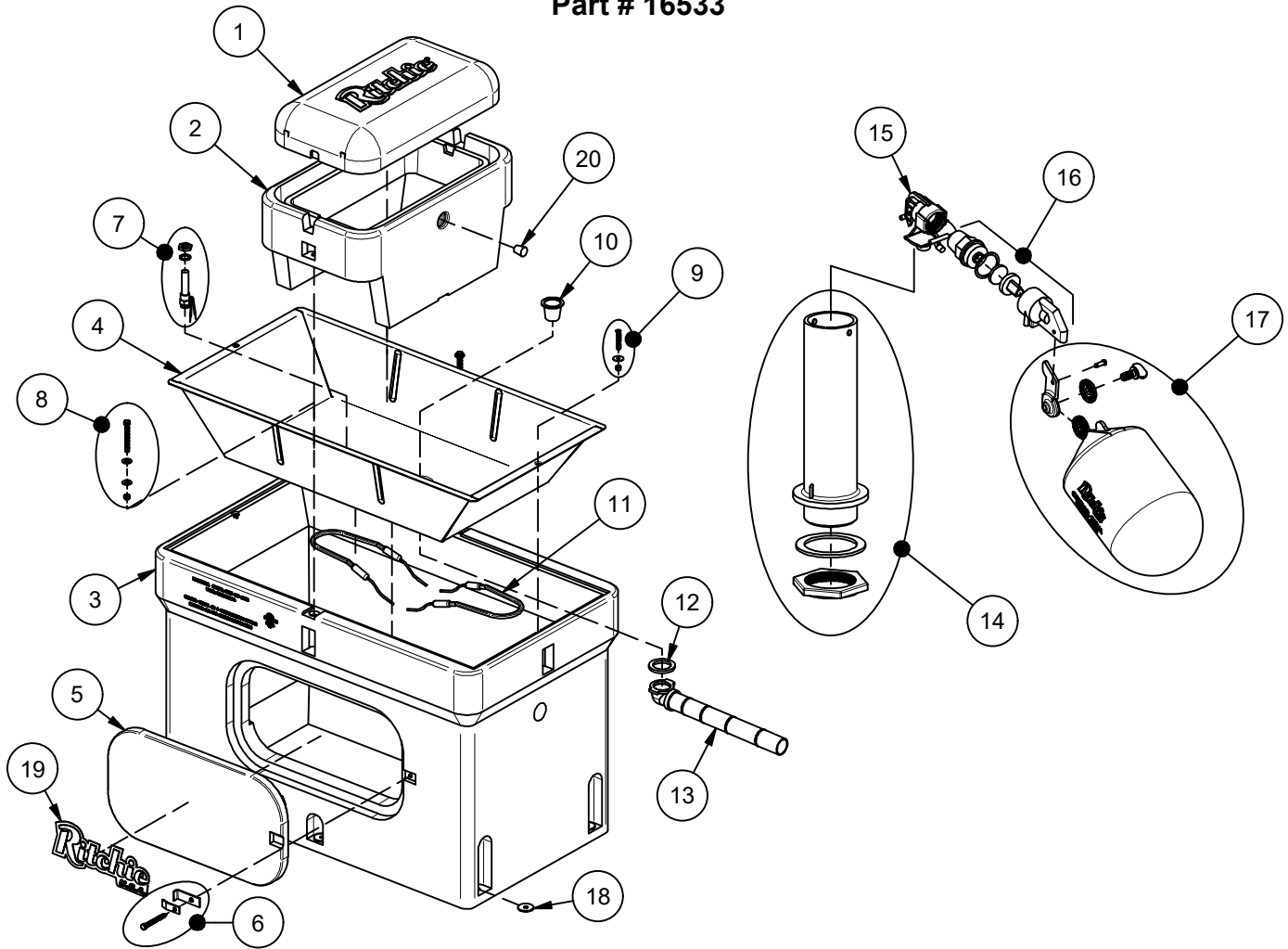
Part # 18460



Item	Part #	Description	Qty	Item	Part #	Description	Qty
1	18462	Omni 10 Cover	1	15	11514	Valve Bracket 3/4" pkg	1 pkg
2	18464	Omni 10 Frame	1	16	15377	Green Male Valve 3/4" pkg	1 pkg
	18472	Omni 10 Cover & Frame pkg	1 pkg	17	18314	Float with Hardware pkg	1 pkg
3	18466	Omni 10 Casing	1		18313	Hardware for Float pkg	1 pkg
4	18468	Omni 10 Trough	1 pkg	18	18318	Bolt Down Washer (4/pkg)	2 pkgs
5	16562	Access Panel 10"x20"	1	19	18653	Ritchie Decal 12" (1/pkg)	1 pkg
6	18147	Access Panel Hardware pkg	1 pkg	20	18633	Plug #3 - Water Channel (2/pkg)	1 pkg
7	16534	Fenwal Thermostat SS pkg	1 pkg	NS	12583	Valve Supply Line pkg	1 pkg
	18320	O-Ring Fenwal (6/pkg)	1 pkg	NS	13830	Cable Htr 120V 48W (1/pkg)	1 pkg
	18074	Nut Brass Fenwal (6/pkg)	1 pkg	NS	16554	Omni Large Accessory pkg	1 pkg
8	18471	Frame Bolt & Wshr SS(4/pkg)	1 pkg	NS	16523	Seal Foam 1/4"x3/4"x25' Roll	1
9	18095	Trough Screw & Nut SS (2/pkg)	4 pkgs	NS	14866	Seal Foam 1/2"x3/4"x10' Roll	2
10	18628	Drain Plug (2/pkg)	1 pkg				
11	11419	Heater 120V 250W (1/pkg)	4 pkgs				
12	18075	Drain Washer (6/pkg)	1 pkg		18461	OMNI 10 240V	
13	11473	Drain Pipe with Elbow	1	NS	11403	Heater 240V 300W (1/pkg)	3 pkgs
14	16629	Standpipe pkg	1 pkg	NS	16424	Cable Htr 240V 48W (1/pkg)	1 pkg

OmniFount 5

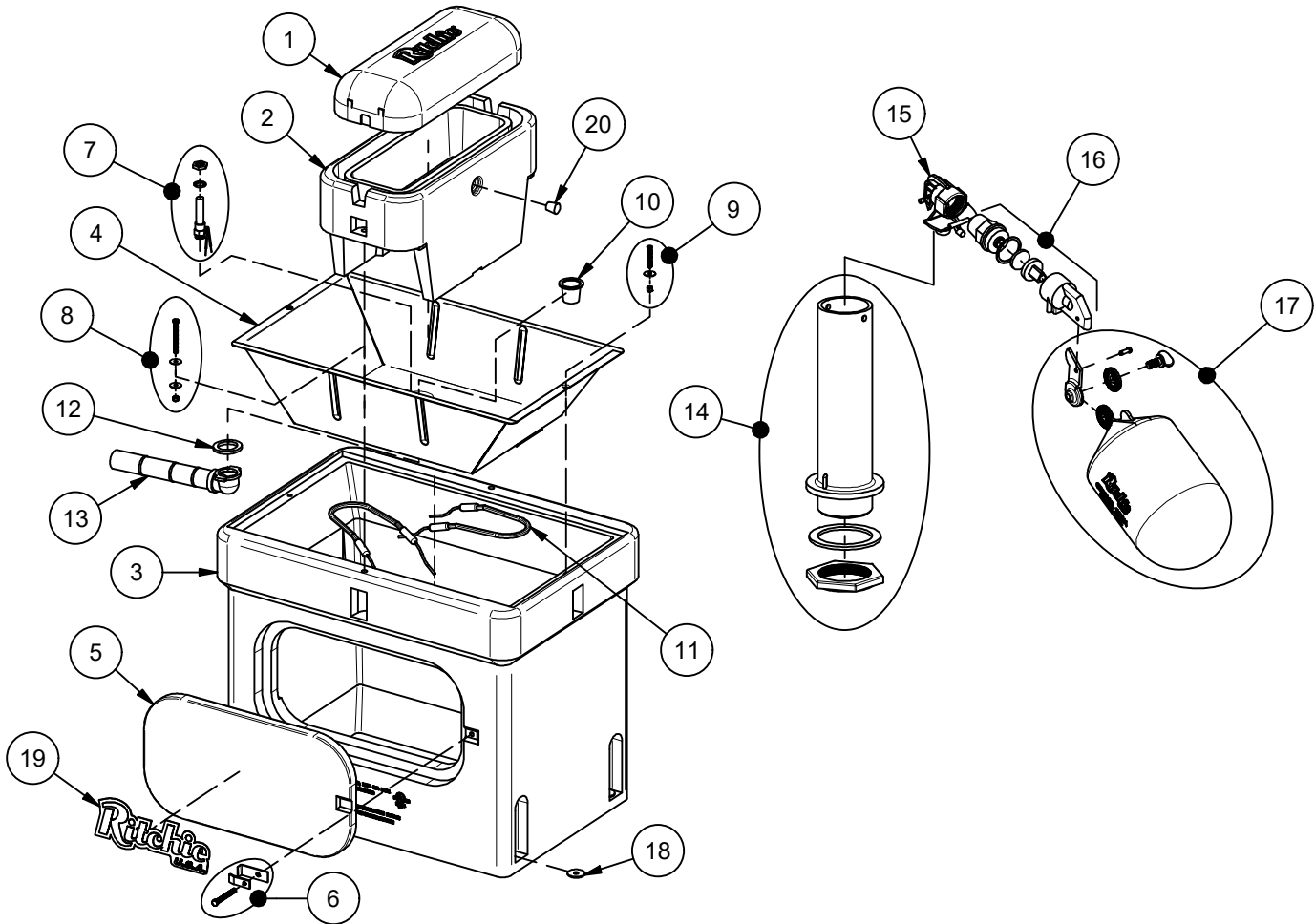
Part # 16533



Item	Part #	Description	Qty	Item	Part #	Description	Qty
1	18426	Omni 5 Cover	1	15	11514	Valve Bracket 3/4" pkg	1 pkg
2	18343	Omni 5 Frame pkg	1 pkg	16	15377	Green Male Valve 3/4" pkg	1 pkg
	18344	Omni 5 Cover & Frame pkg	1 pkg	17	18314	Float with Hardware pkg	1 pkg
3	16561	Omni 5 Casing	1		18313	Hardware for Float pkg	1 pkg
4	16631	Omni 5 Trough	1 pkg	18	18318	Bolt Down Washer (4/pkg)	2 pkgs
5	16562	Access Panel 10"x20"	1	19	18653	Ritchie Decal 12" (1/pkg)	1 pkg
6	18147	Access Panel Hardware pkg	1 pkg	20	18633	Plug #3 - Water Channel (2/pkg)	1 pkg
7	16534	Fenwal Thermostat SS pkg	1 pkg	NS	12583	Valve Supply Line pkg	1 pkg
	18320	O-Ring Fenwal (6/pkg)	1 pkg	NS	13830	Cable Htr 120V 48W (1/pkg)	1 pkg
	18074	Nut Brass Fenwal (6/pkg)	1 pkg	NS	16554	Omni Large Accessory pkg	1 pkg
8	18266	Frame Bolt,Nut,Wshr SS(3/pkg)	1 pkg	NS	16523	Seal Foam 1/4"x3/4"x50' Roll	1
9	18095	Trough Screw & Nut SS (2/pkg)	1 pkg	NS	14866	Seal Foam 10' Roll	1
10	18628	Drain Plug (2/pkg)	1 pkg				
11	11419	Heater 120V 250W (1/pkg)	2 pkgs				
12	18075	Drain Washer (6/pkg)	1 pkg		16829	OMNI 5 240V	
13	11473	Drain Pipe with Elbow	1	NS	11403	Heater 240V 300W (1/pkg)	2 pkgs
14	16629	Standpipe pkg	1 pkg	NS	16424	Cable Htr 240V 48W (1/pkg)	1 pkg

OmniFount 3

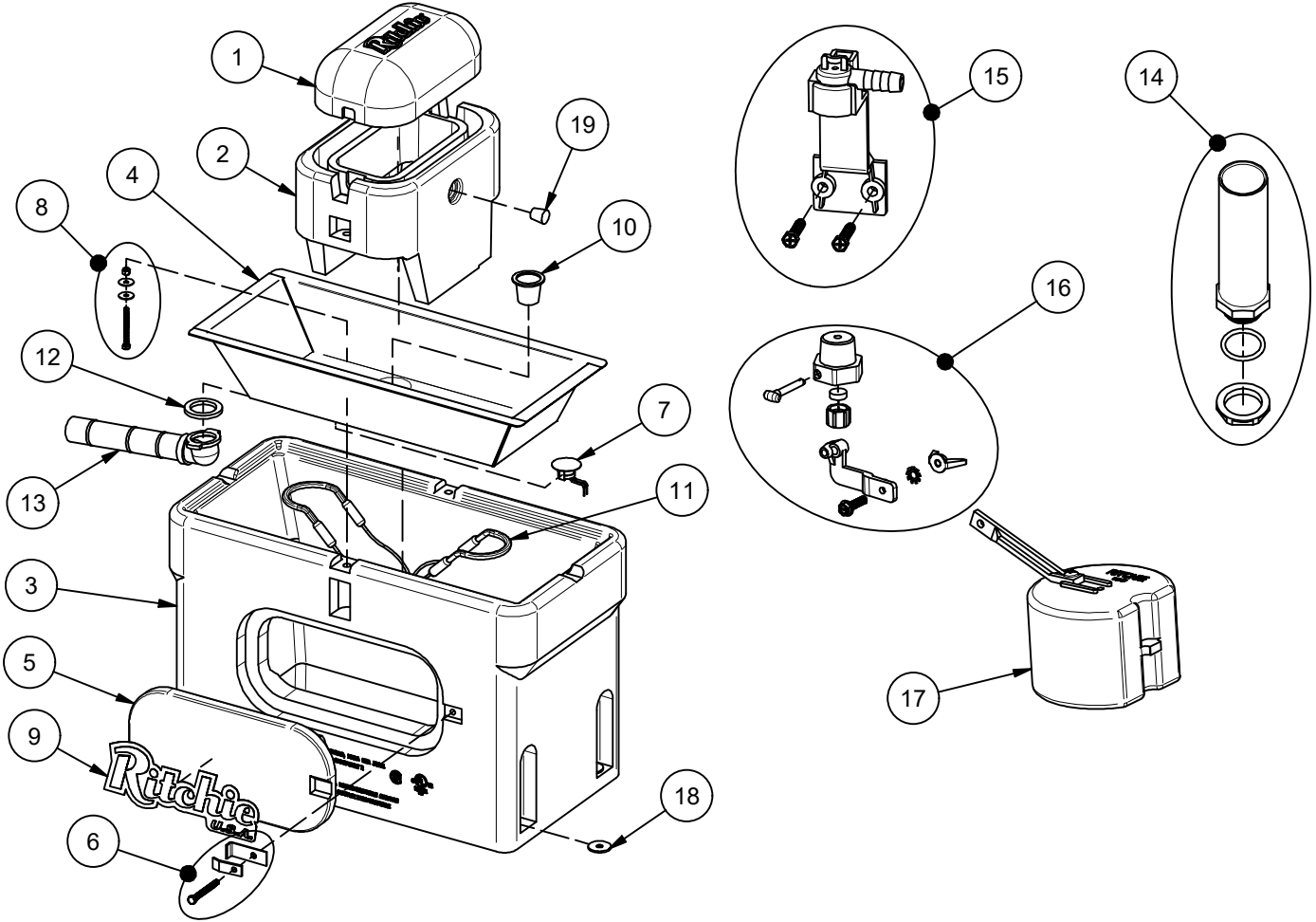
Part # 18270



Item	Part #	Description	Qty	Item	Part #	Description	Qty
1	18418	Omni 3 Cover	1	15	11514	Valve Bracket 3/4" pkg	1 pkg
2	18345	Omni 3 Frame pkg	1 pkg	16	15377	Green Male Valve 3/4" pkg	1 pkg
	18346	Omni 3 Cover & Frame pkg	1 pkg	17	18314	Float with Hardware pkg	1 pkg
3	18272	Omni 3 Casing	1		18313	Hardware for Float pkg	1 pkg
4	18342	Omni 3 Trough	1 pkg	18	18318	Bolt Down Washer (4/pkg)	2 pkgs
5	16562	Access Panel 10"x20"	1	19	18653	Ritchie Decal 12" (1/pkg)	1 pkg
6	18147	Access Panel Hardware pkg	1 pkg	20	18633	Plug #3 - Water Channel (2/pkg)	1 pkg
7	16534	Fenwal Thermostat SS pkg	1 pkg	NS	12583	Valve Supply Line pkg	1 pkg
	18320	O-Ring Fenwal (6/pkg)	1 pkg	NS	13830	Cable Htr 120V 48W (1/pkg)	1 pkg
	18074	Nut Brass Fenwal (6/pkg)	1 pkg	NS	16554	Omni Large Accessory pkg	1 pkg
8	18266	Frame Bolt,Nut,Wshr SS(3/pkg)	1 pkg	NS	16523	Seal Foam 1/4"x3/4"x50' Roll	1
9	18095	Trough Screw & Nut SS (2/pkg)	1 pkg	NS	14866	Seal Foam 10' Roll	1
10	18628	Drain Plug (2/pkg)	1 pkg				
11	11419	Heater 120V 250W (1/pkg)	2 pkgs				
12	18075	Drain Washer (6/pkg)	1 pkg		18273	OMNI 3 240V	
13	11472	Drain Pipe with Elbow	1	NS	11403	Heater 240V 300W (1/pkg)	2 pkgs
14	16629	Standpipe pkg	1 pkg	NS	16424	Cable Htr 240V 48W (1/pkg)	1 pkg

OmniFount 2

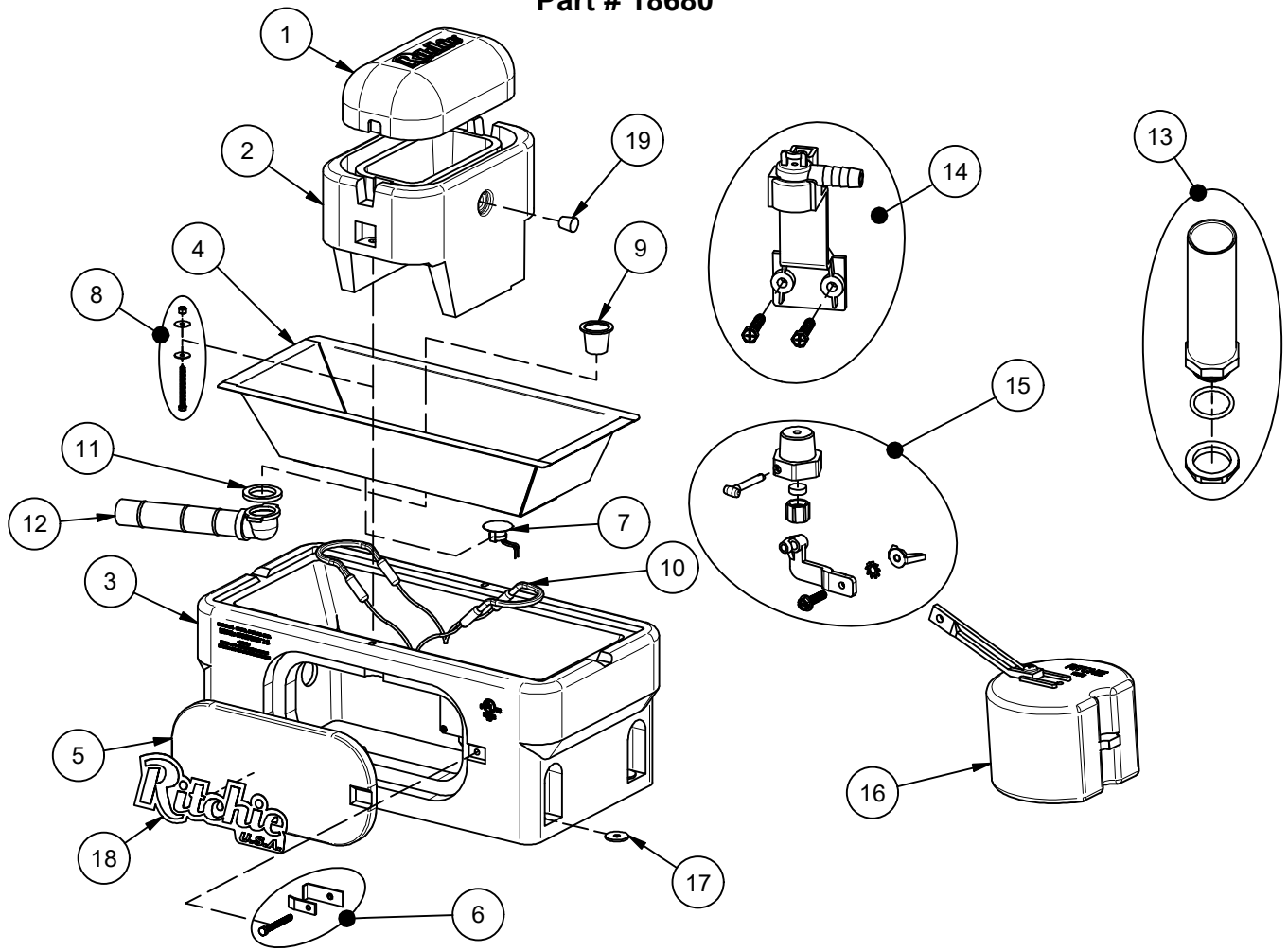
Part # 16619



Item	Part #	Description	Qty	Item	Part #	Description	Qty
1	18424	Omni 2 Cover	1	15	11515	Valve Brkt 1/2" w/ Screws pkg	1 pkg
2	18347	Omni 2 Frame pkg	1 pkg	16	12575	Red Valve 1/2" pkg	1 pkg
	18348	Omni 2 Cover & Frame pkg	1 pkg	17	13613	Float with Short Arm pkg	1 pkg
3	16620	Omni 2 Casing	1	18	18318	Bolt Down Washer (4/pkg)	1 pkg
4	16616	Omni 2 Trough	1 pkg	19	18633	Plug #3 - Water Channel (2/pkg)	1 pkg
5	16621	Access Panel 6"x14"	1	NS	13830	Cable Htr 120V 48W (1/pkg)	1 pkg
6	18147	Access Panel Hardware pkg	1 pkg	NS	16627	Omni Small Accessory pkg	1 pkg
7	11885	Disc Thermostat pkg	1 pkg	NS	16523	Seal Foam 1/4"x3/4"x50' Roll	1
8	18266	Frame Bolt,Nut,Wshr SS(3/pkg)	1 pkg	NS	14866	Seal Foam 10' Roll	1
9	18653	Ritchie Decal 12" (1/pkg)	1 pkg	NS	18709	Screws Valve Mount (4/ pkg)	1 pkg
10	18628	Drain Plug (2/pkg)	1 pkg				
11	14150	Heater 120V 125W (1/pkg)	2 pkgs		16844	OMNI 2 240V	
12	18075	Drain Washer (6/pkg)	1 pkg	NS	16664	Heater 240V 200W (1/pkg)	2 pkgs
13	11471	Drain Pipe with Elbow	1	NS	16424	Cable Htr 240V 48W (1/pkg)	1 pkg
14	16866	Standpipe pkg	1 pkg				

OmniFount 2 SP

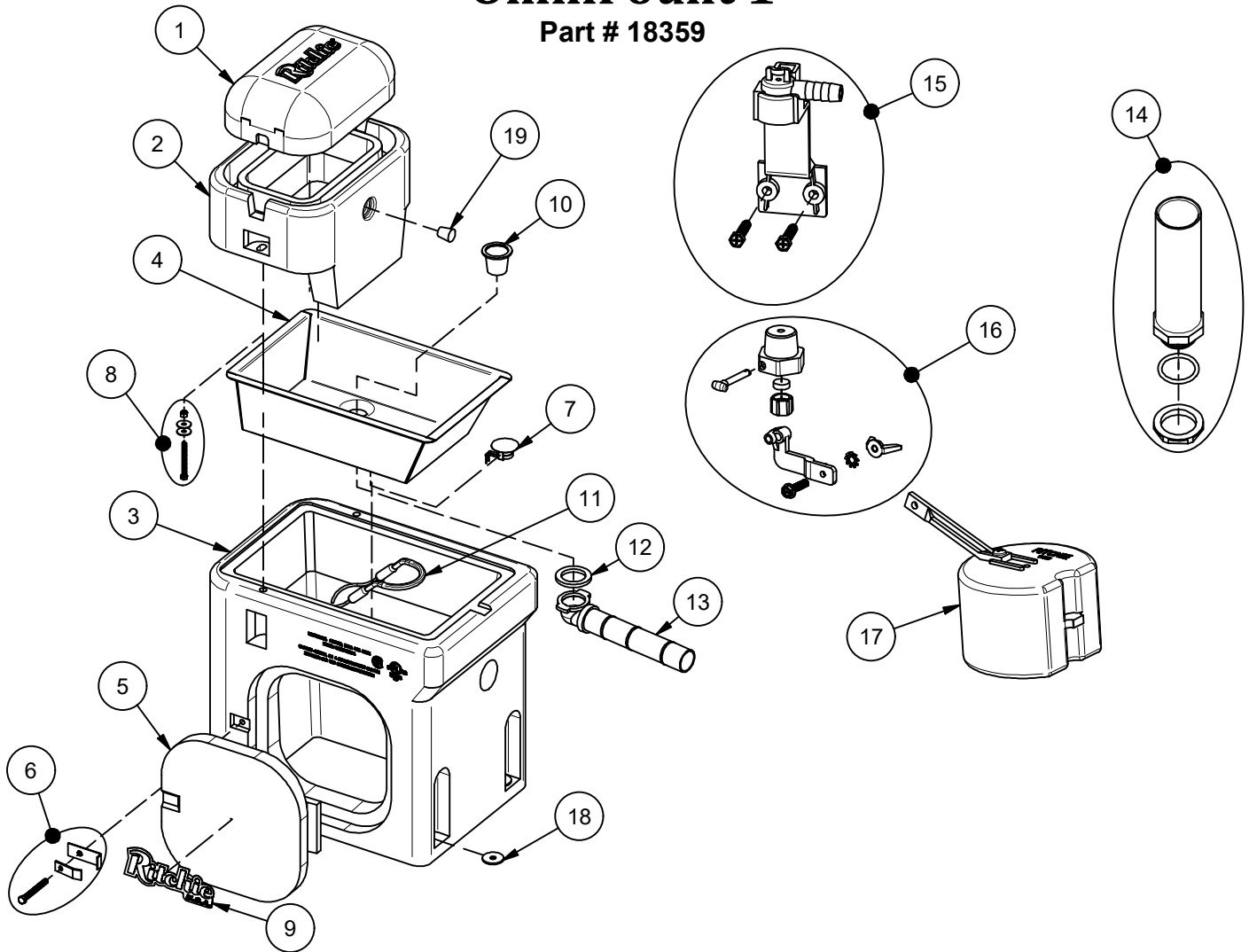
Part # 18680



Item	Part #	Description	Qty	Item	Part #	Description	Qty
1	18424	Omni 2 Cover	1	15	12575	Red Valve 1/2" pkg	1 pkg
2	18347	Omni 2 Frame pkg	1 pkg	16	13613	Float with Short Arm pkg	1 pkg
	18348	Omni 2 Cover & Frame pkg	1 pkg	17	18318	Bolt Down Washer (4/pkg)	1 pkg
3	18684	Omni 2 SP Casing	1	18	18653	Ritchie Decal 12" (1/pkg)	1 pkg
4	16616	Omni 2 Trough	1 pkg	19	18633	Plug #3 - Water Channel (2/pkg)	1 pkg
5	16621	Access Panel 6"x14"	1	NS	13830	Cable Htr 120V 48W (1/pkg)	1 pkg
6	18147	Access Panel Hardware pkg	1 pkg	NS	16627	Omni Small Accessory pkg	1 pkg
7	11885	Disc Thermostat pkg	1 pkg	NS	16523	Seal Foam 1/4"x3/4"x50' Roll	1
8	18266	Frame Bolt,Nut,Wshr SS(3/pkg)	1 pkg	NS	14866	Seal Foam 10' Roll	1
9	18628	Drain Plug (2/pkg)	1 pkg	NS	18709	Screws Valve Bracket (4/ pkg)	1 pkg
10	14150	Heater 120V 125W (1/pkg)	2 pkgs				
11	18075	Drain Washer (6/pkg)	1 pkg		18681	OMNI 2 SP 240V	
12	11471	Drain Pipe with Elbow	1	NS	16664	Heater 240V 200W (1/pkg)	2 pkgs
13	16866	Standpipe pkg	1 pkg	NS	16424	Cable Htr 240V 48W (1/pkg)	1 pkg
14	11515	Valve Bracket 1/2" w/ Scrws pkg	1 pkg				

OmniFount 1

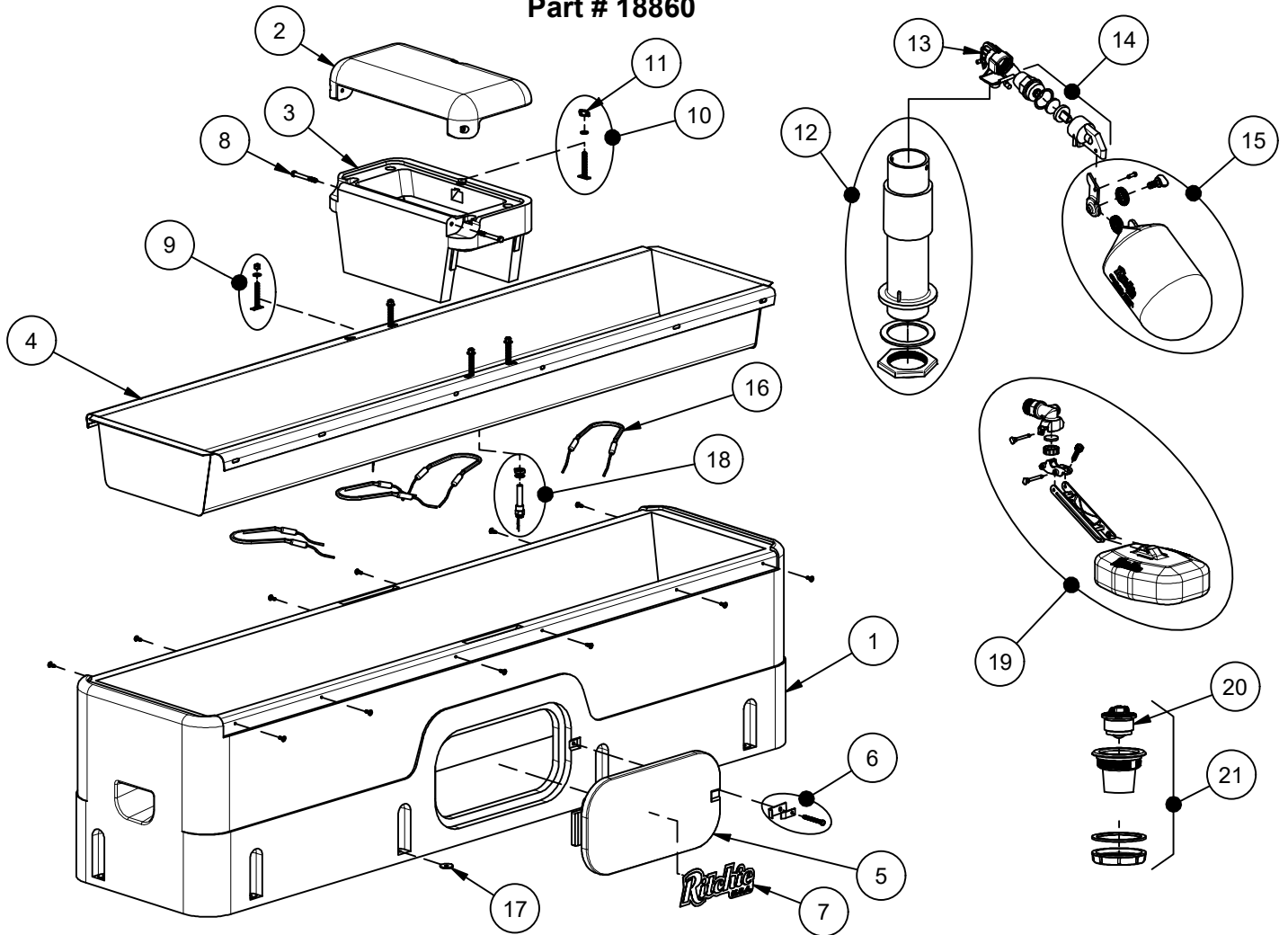
Part # 18359



Item	Part #	Description	Qty	Item	Part #	Description	Qty
1	18422	Omni 1 Cover	1	15	11515	Valve Bracket 1/2" w/ Scrws pkg	1 pkg
2	18473	Omni 1 Frame pkg	1 pkg	16	12575	Red Valve 1/2" pkg	1 pkg
	18474	Omni 1 Cover & Frame pkg	1 pkg	17	13613	Float with Short Arm pkg	1 pkg
3	18361	Omni 1 Casing	1	18	18318	Bolt Down Washer (4/pkg)	1 pkg
4	18368	Omni 1 Trough	1 pkg	19	18633	Plug #3 - Water Channel (2/pkg)	1 pkg
5	18370	Access Panel 10"x10"	1	NS	13830	Cable Htr 120V 48W (1/pkg)	1 pkg
6	18147	Access Panel Hardware pkg	1 pkg	NS	16627	Omni Small Accessory pkg	1 pkg
7	11885	Disc Thermostat pkg	1 pkg	NS	16523	Seal Foam 1/4"x3/4"x50' Roll	1
8	18266	Frame Bolt,Nut,Wshr SS(3/pkg)	1 pkg	NS	14866	Seal Foam 10' Roll	1
9	18655	Ritchie Decal 7.5" (1/pkg)	1 pkg	NS	18709	Screws Valve Mount (4/ pkg)	1 pkg
10	18628	Drain Plug (2/pkg)	1 pkg				
11	14150	Heater 120V 125W (1/pkg)	1 pkg		18362	OMNI 1 240V	
12	18075	Drain Washer (6/pkg)	1 pkg	NS	16664	Heater 240V 200W (1/pkg)	1 pkg
13	11471	Drain Pipe with Elbow	1	NS	16424	Cable Htr 240V 48W (1/pkg)	1 pkg
14	16866	Standpipe pkg	1 pkg				

OmniMaster 8

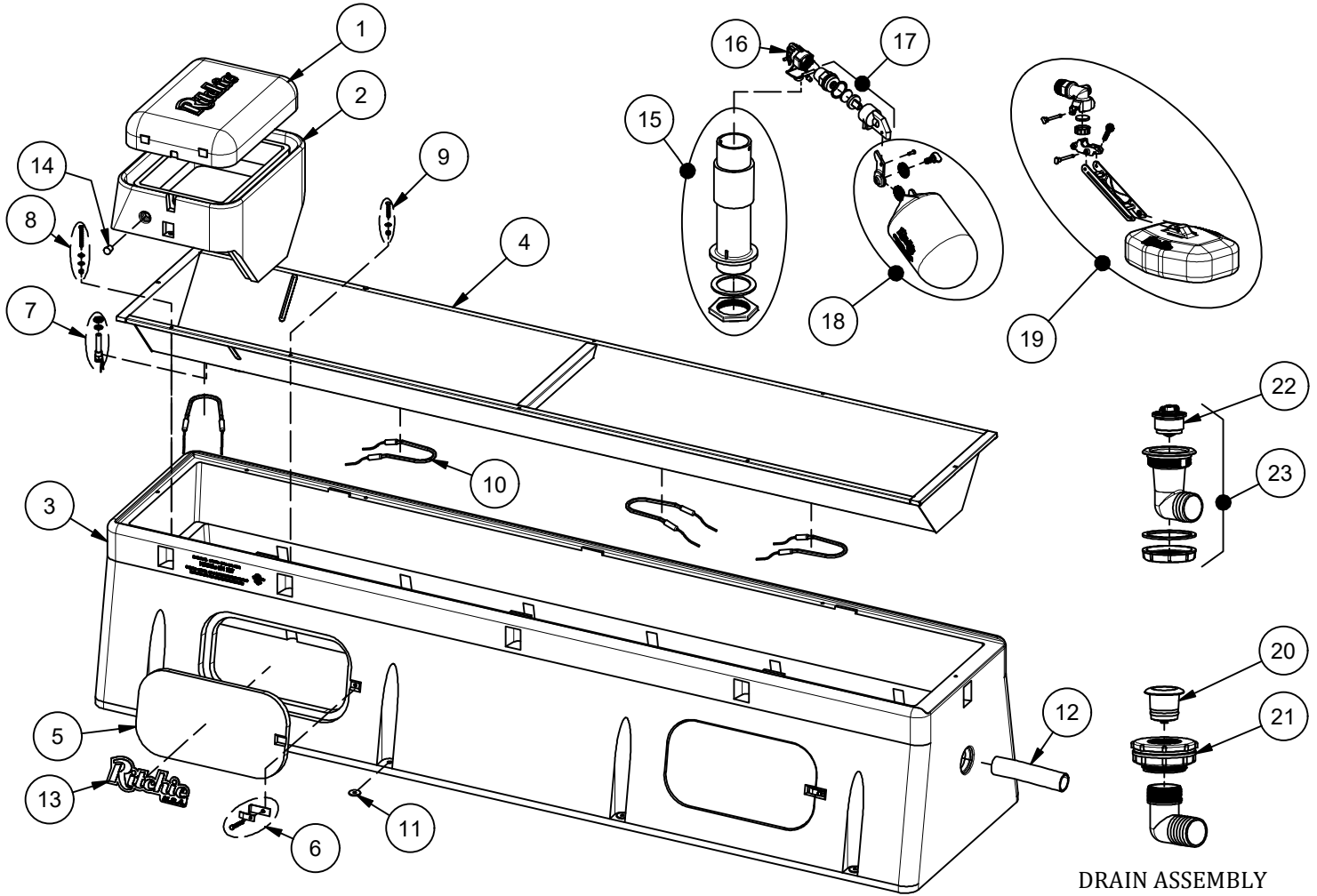
Part # 18860



Item	Part #	Description	Qty	Item	Part #	Description	Qty
1	18851	OM 8 Casing	1	18	16534	Fenwal Thermostat SS pkg	1 pkg
2	18871	OM 8 Cover	1		18320	O-Ring Fenwal (6/pkg)	1 pkg
3	18868	OM 8 Frame	1		18074	Nut Brass Fenwal (6/pkg)	1 pkg
4	18872	OM 8 Trough Complete	1	19	18832	HP 3/4" Valve Assembly	1 pkg
5	16562	Access Panel 10" x 20"	1	20	18849	Ritchie 2" Plug Package	1 pkg
6	18147	Access Panel Hardware Pkg	1	21	18904	OM Drain Assembly w/Plug	1 pkg
7	18653	Ritchie Decal 12" (1/pkg)	1 pkg	NS	18470	Drain Plug Ritchie 3" (Pre-2023)	2
8	18452	Bolt 3/8" x 3" SS (2/pkg)	1 pkg	NS	14866	Seal Foam 10' Roll	2
9	18854	OM 8 Frame Screws (2/pkg)	1 pkg	NS	15931	Hose Clamp SS (5/pkg)	1 pkg
10	18448	T-Bolt w/Wingnut 3/8" (2/pkg)	2 pkg	NS	18614	Adapter 3/4" x 5/8" HB	1 pkg
11	18451	Wing Nut 3/8" Nylon (4/pkg)	1 pkg	NS	18863	OM 8 Accessory pkg	1 pkg
12	18181	CM Standpipe Pkg	1 pkg	NS	13830	Cable Htr 120V 48W (1/pkg)	1 pkg
13	11514	Valve Bracket 3/4"	1 pkg				
14	15377	Green Male Valve 3/4" pkg	1 pkg		18861	OmniMaster 8 240V	
15	18314	Float with Hardware pkg	1 pkg	NS	11403	Heater 240V 300W (1/pkg)	3 pkgs
16	11419	Heater 120V 250W (1/pkg)	4 pkgs	NS	16424	Cable Htr 240V 48W (1/pkg)	1 pkg
17	18318	Bolt Down Washer (4/pkg)	2 pkgs				

CattleMaster 10T

Part # 18700

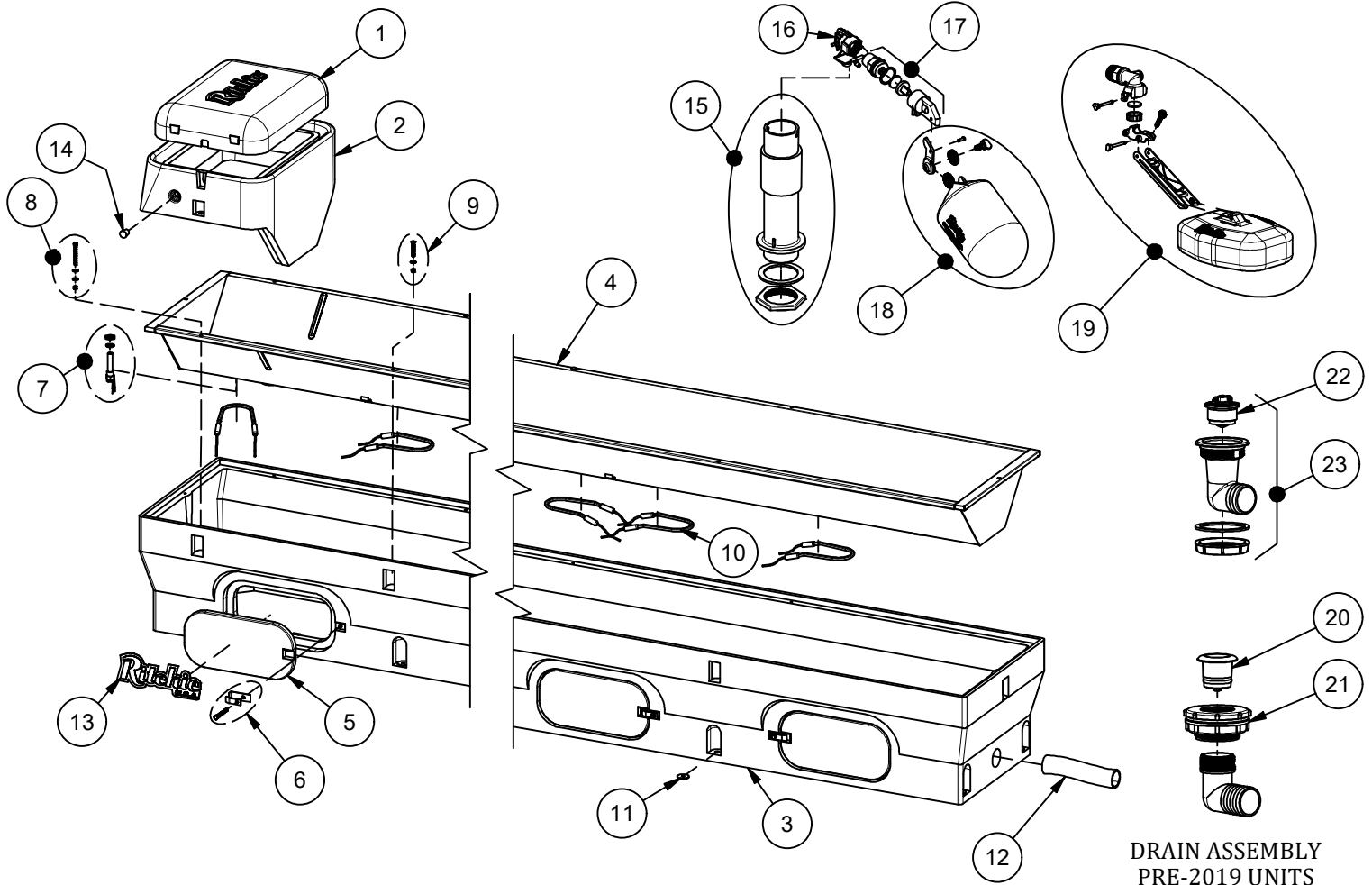


DRAIN ASSEMBLY
PRE-2019 UNITS

Item	Part #	Description	Qty	Item	Part #	Description	Qty
1	18428	CM Cover	1	15	18181	CM Standpipe pkg	1 pkg
2	18349	CM Frame pkg	1 pkg	16	11514	Valve Bracket 3/4" pkg	1 pkg
	18350	CM Cover & Frame pkg	1 pkg	17	15377	Green Male Valve 3/4" pkg	1 pkg
3	18698	CM 10T Casing	1	18	18314	Float with Hardware pkg	1 pkg
4	18909	CM 10T Trough	1 pkg	19	18832	HP 3/4" Valve Assembly	1 pkg
5	16562	Access Panel 10"x20"	2	20	18338	CM Drain Plug pkg	1 pkg
6	18147	Access Panel Hardware pkg	2 pkgs	21	17679	CM Bulkhead fitting 2"	1
7	16534	Fenwal Thermostat SS pkg	1 pkg	22	18849	Ritchie 2" Plug pkg	1 pkg
	18320	O-Ring Fenwal (6/pkg)	1 pkg	23	18852	CM Drain Assembly w/Plug	1 pkg
	18074	Nut Brass Fenwal (6/pkg)	1 pkg	NS	12583	Valve Supply Line w/Bracket	1 pkg
8	18266	Frame Bolt & Wshr SS(3/pkg)	1 pkg	NS	13830	Cable Htr 120V 48W (1/pkg)	1 pkg
9	18265	Trough Bolt & Nut SS (5/pkg)	1 pkg	NS	18898	CM Accessory pkg	1 pkg
10	11419	Heater 120V 250W (1/pkg)	4 pkgs	NS	14866	Seal Foam 10' Roll	2
11	18318	Bolt Down Washer (4/pkg)	2 pkgs				
12	17677	Drain Tube 10"	1		18701	CM 10T 240V	
13	18653	Ritchie Decal 12" (1/pkg)	1 pkg	NS	11403	Heater 240V 300W (1/pkg)	3 pkgs
14	18633	Plug #3 - Water Channel (2/pkg)	1 pkg	NS	16424	Cable Htr 240V 48W (1/pkg)	1 pkg

CattleMaster 1440

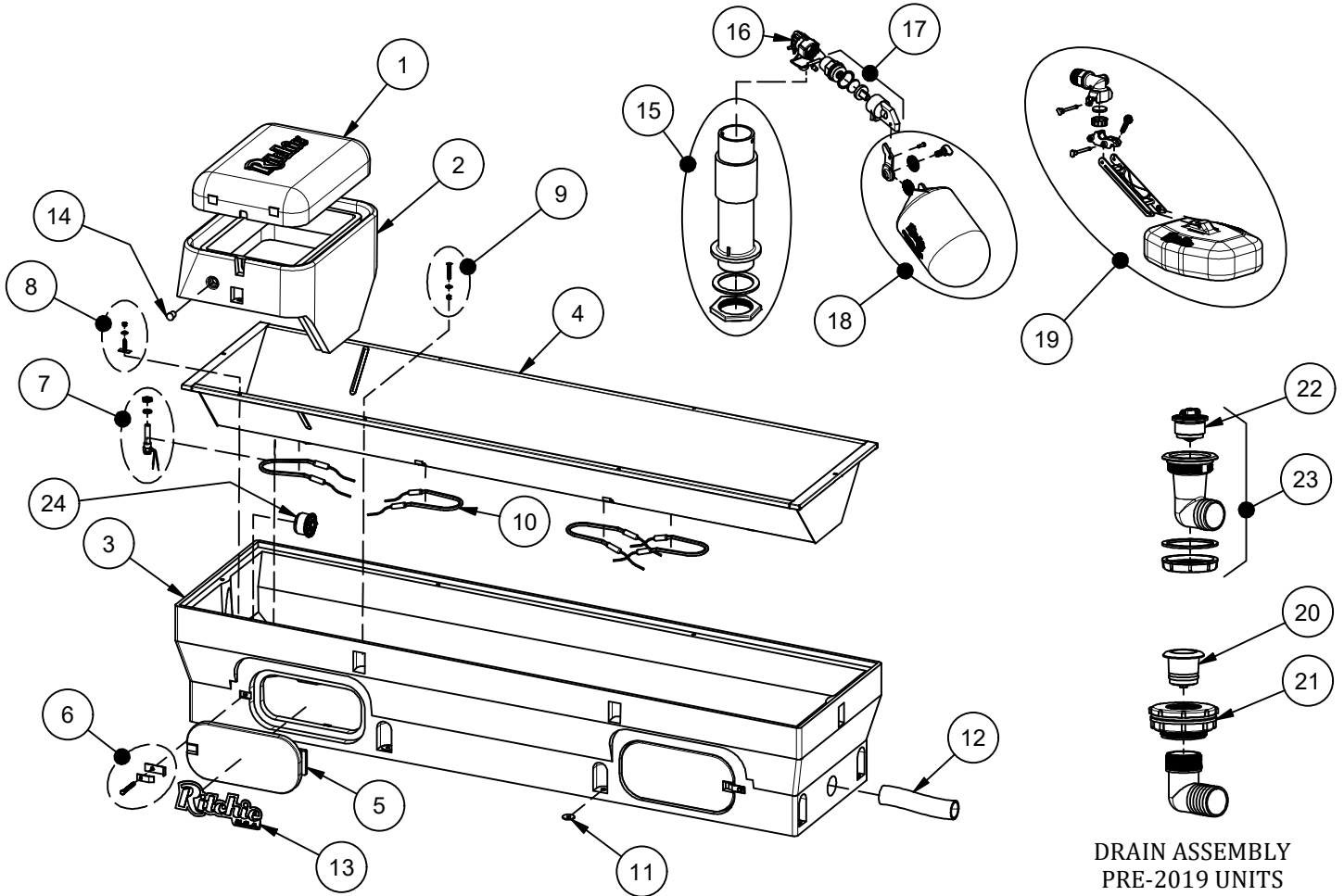
Part # 18252



Item	Part #	Description	Qty	Item	Part #	Description	Qty
1	18428	CM Cover	1	15	18181	CM Standpipe pkg	1 pkg
2	18349	CM Frame pkg	1 pkg	16	11514	Valve Bracket 3/4" pkg	1 pkg
	18350	CM Cover & Frame pkg	1 pkg	17	15377	Green Male Valve 3/4" pkg	1 pkg
3	18659	CM 1440 Casing	1	18	18314	Float with Hardware pkg	1 pkg
4	16791	CM 1440 Trough pkg	1 pkg	19	18832	HP 3/4" Valve Assembly	1 pkg
5	16621	Access Panel 6"x14"	3	20	18338	CM Drain Plug pkg	1 pkg
6	18147	Access Panel Hardware pkg	3 pkgs	21	17679	CM Bulkhead fitting 2"	1
7	16534	Fenwal Thermostat SS pkg	1 pkg	22	18849	Ritchie 2" Plug pkg	1 pkg
	18320	O-Ring Fenwal (6/pkg)	1 pkg	23	18852	CM Drain Assembly w/Plug	1 pkg
	18074	Nut Brass Fenwal (6/pkg)	1 pkg	NS	12583	Valve Supply Line w/Bracket	1 pkg
8	18266	Frame Bolt & Wshr SS(3/pkg)	1 pkg	NS	13830	Cable Htr 120V 48W (1/pkg)	1 pkg
9	18265	Trough Bolt & Nut SS (5/pkg)	2 pkgs	NS	18898	CM Accessory pkg	1 pkg
10	11419	Heater 120V 250W (1/pkg)	5 pkgs	NS	14866	Seal Foam 10' Roll	3
11	18318	Bolt Down Washer (4/pkg)	3 pkgs				
12	17677	Drain Tube 10"	1		18255	CM 1440 240V	
13	18653	Ritchie Decal 12" (1/pkg)	1 pkg	NS	11403	Heater 240V 300W (1/pkg)	3 pkgs
14	18633	Plug #3 - Water Channel (2/pkg)	1 pkg	NS	16424	Cable Htr 240V 48W (1/pkg)	1 pkg

CattleMaster 840

Part # 18235

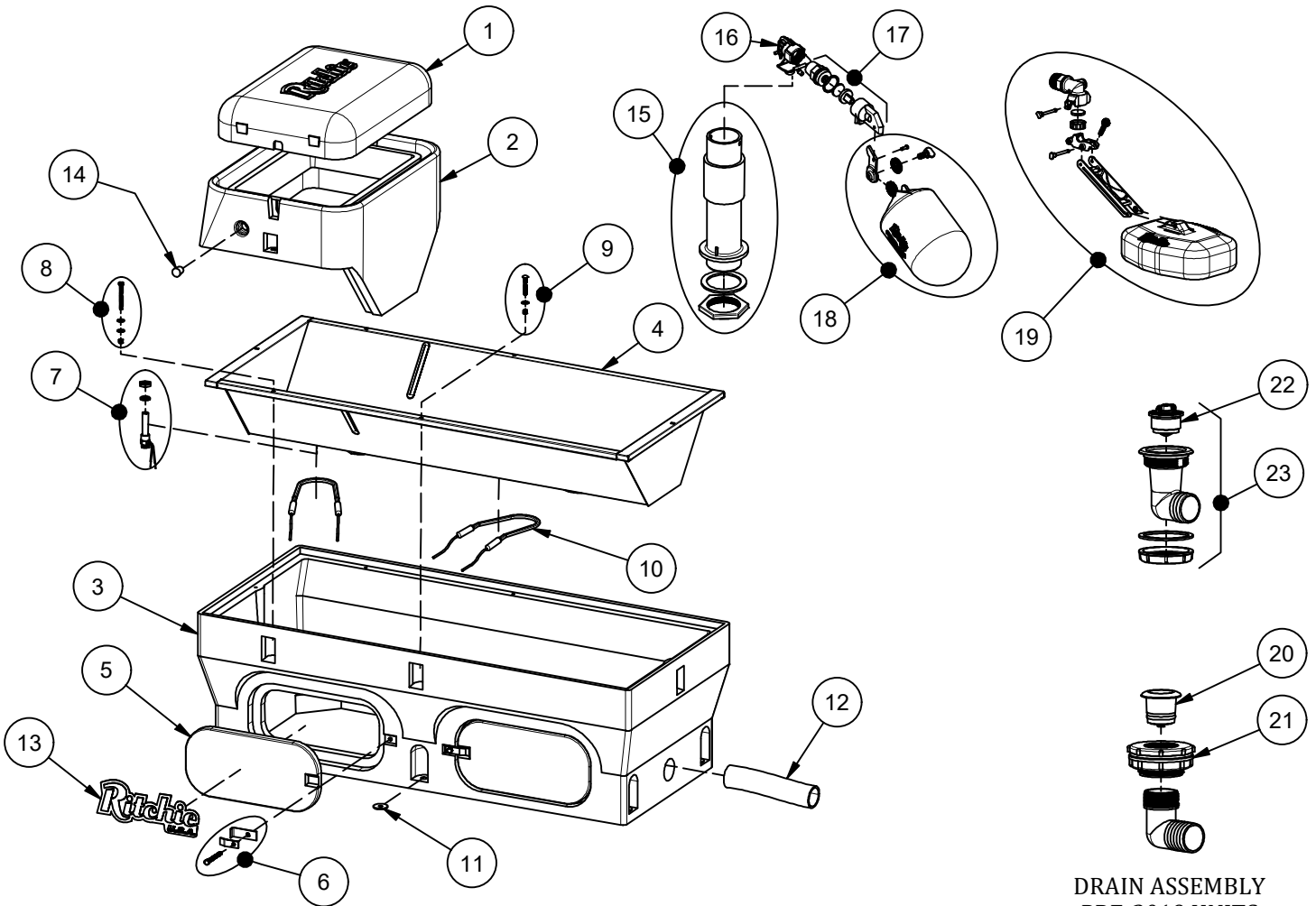


DRAIN ASSEMBLY
PRE-2019 UNITS

Item	Part #	Description	Qty	Item	Part #	Description	Qty
1	18428	CM Cover	1	15	18181	CM Standpipe pkg	1 pkg
2	18349	CM Frame pkg	1 pkg	16	11514	Valve Bracket 3/4" pkg	1 pkg
	18350	CM Cover & Frame pkg	1 pkg	17	15377	Green Male Valve 3/4" pkg	1 pkg
3	18240	CM 840 Casing	1	18	18314	Float with Hardware pkg	1 pkg
4	16786	CM 840 Trough pkg	1 pkg	19	18832	HP 3/4" Valve Assembly	1 pkg
5	16621	Access Panel 6"x14"	2	20	18338	CM Drain Plug pkg	1 pkg
6	18147	Access Panel Hardware pkg	2 pkgs	21	17679	CM Bulkhead fitting 2"	1
7	16534	Fenwal Thermostat SS pkg	1 pkg	22	18849	Ritchie 2" Plug pkg	1 pkg
	18320	O-Ring Fenwal (6/pkg)	1 pkg	23	18852	CM Drain Assembly w/Plug	1 pkg
	18074	Nut Brass Fenwal (6/pkg)	1 pkg	24	18470	Ritchie 3" Plug pkg	1
8	18266	Frame Bolt & Wshr SS(3/pkg)	1 pkg	NS	12583	Valve Supply Line w/Bracket	1 pkg
9	18265	Trough Bolt & Nut SS (5/pkg)	1 pkg	NS	13830	Cable Htr 120V 48W (1/pkg)	1 pkg
10	11419	Heater 120V 250W (1/pkg)	4 pkgs	NS	18898	CM Accessory pkg	1 pkg
11	18318	Bolt Down Washer (4/pkg)	2 pkgs	NS	14866	Seal Foam 10' Roll	2
12	17677	Drain Tube 10"	1		18243	CM 840 240V	
13	18653	Ritchie Decal 12" (1/pkg)	1 pkg	NS	11403	Heater 240V 300W (1/pkg)	3 pkgs
14	18633	Plug #3 - Water Channel (2/pkg)	1 pkg	NS	16424	Cable Htr 240V 48W (1/pkg)	1 pkg

CattleMaster 480

Part # 18248



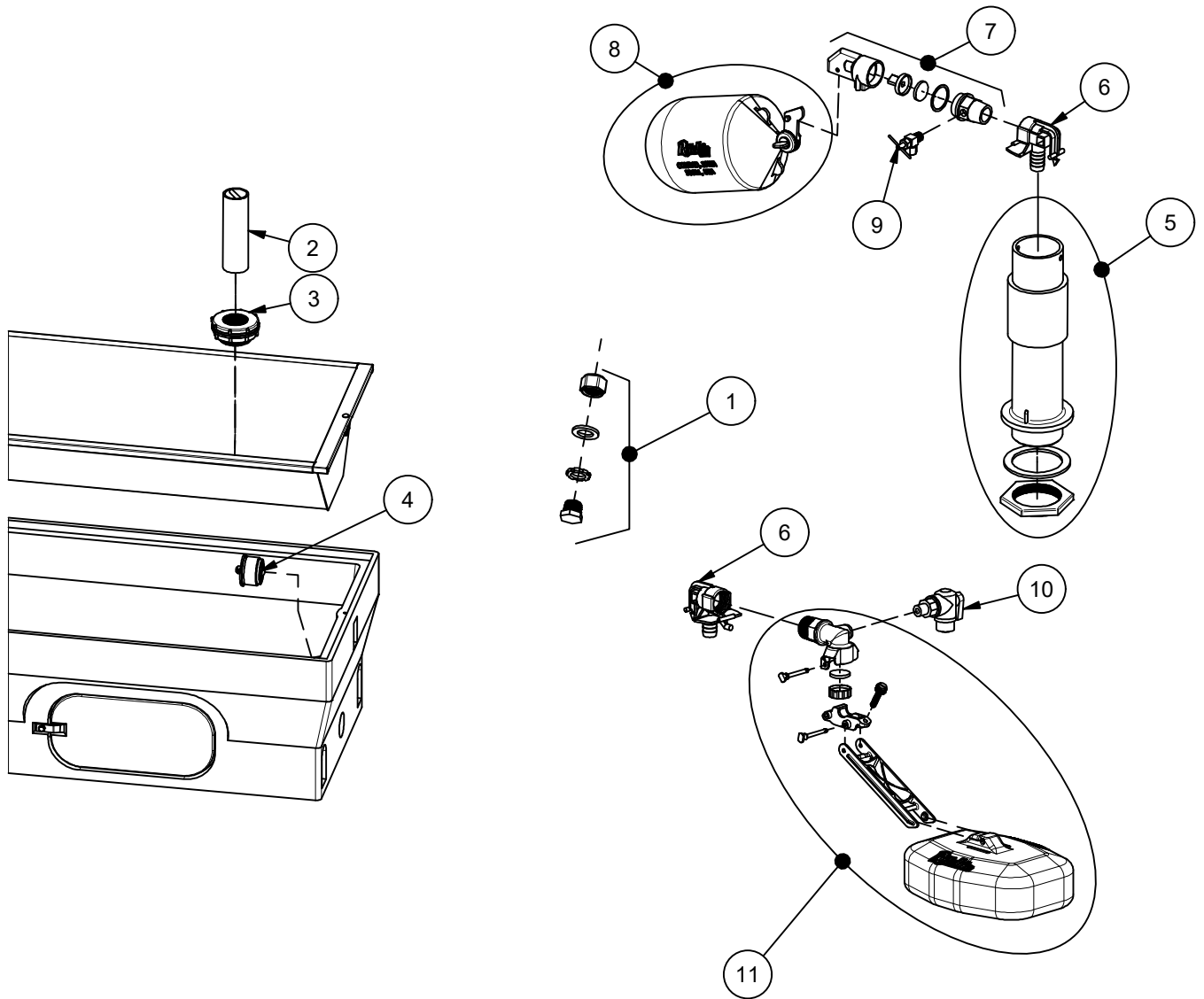
DRAIN ASSEMBLY
PRE-2019 UNITS

Item	Part #	Description	Qty	Item	Part #	Description	Qty
1	18428	CM Cover	1	15	18181	CM Standpipe pkg	1 pkg
2	18349	CM Frame pkg	1 pkg	16	11514	Valve Bracket 3/4" pkg	1 pkg
	18350	CM Cover & Frame pkg	1 pkg	17	15377	Green Male Valve 3/4" pkg	1 pkg
3	18250	CM 480 Casing	1	18	18314	Float with Hardware pkg	1 pkg
4	16780	CM 480 Trough pkg	1 pkg	19	18832	HP 3/4" Valve Assembly	1 pkg
5	16621	Access Panel 6"x14"	2	20	18338	CM Drain Plug pkg	1 pkg
6	18147	Access Panel Hardware pkg	2 pkgs	21	17679	CM Bulkhead fitting 2"	1
7	16534	Fenwal Thermostat SS pkg	1 pkg	22	18849	Ritchie 2" Plug pkg	1 pkg
	18320	O-Ring Fenwal (6/pkg)	1 pkg	23	18852	CM Drain Assembly w/Plug	1 pkg
	18074	Nut Brass Fenwal (6/pkg)	1 pkg	NS	12583	Valve Supply Line w/Bracket	1 pkg
8	18266	Frame Bolt & Wshr SS(3/pkg)	1 pkg	NS	13830	Cable Htr 120V 48W (1/pkg)	1 pkg
9	18265	Trough Bolt & Nut SS (5/pkg)	1 pkg	NS	18898	CM Accessory pkg	1 pkg
10	11419	Heater 120V 250W (1/pkg)	2 pkgs	NS	14866	Seal Foam 10' Roll	2
11	18318	Bolt Down Washer (4/pkg)	2 pkgs				
12	17677	Drain Tube 10"	1		18251	CM 480 240V	
13	18653	Ritchie Decal 12" (1/pkg)	1 pkg	NS	11403	Heater 240V 300W (1/pkg)	2 pkgs
14	18633	Plug #3 - Water Channel (2/pkg)	1 pkg	NS	16424	Cable Htr 240V 48W (1/pkg)	1 pkg

Constant Flow CattleMasters

480NH - 18784, 840NH - 18785, 10TNH - 18906, 1440NH - 18786

*Must Order CM CF Package #18905



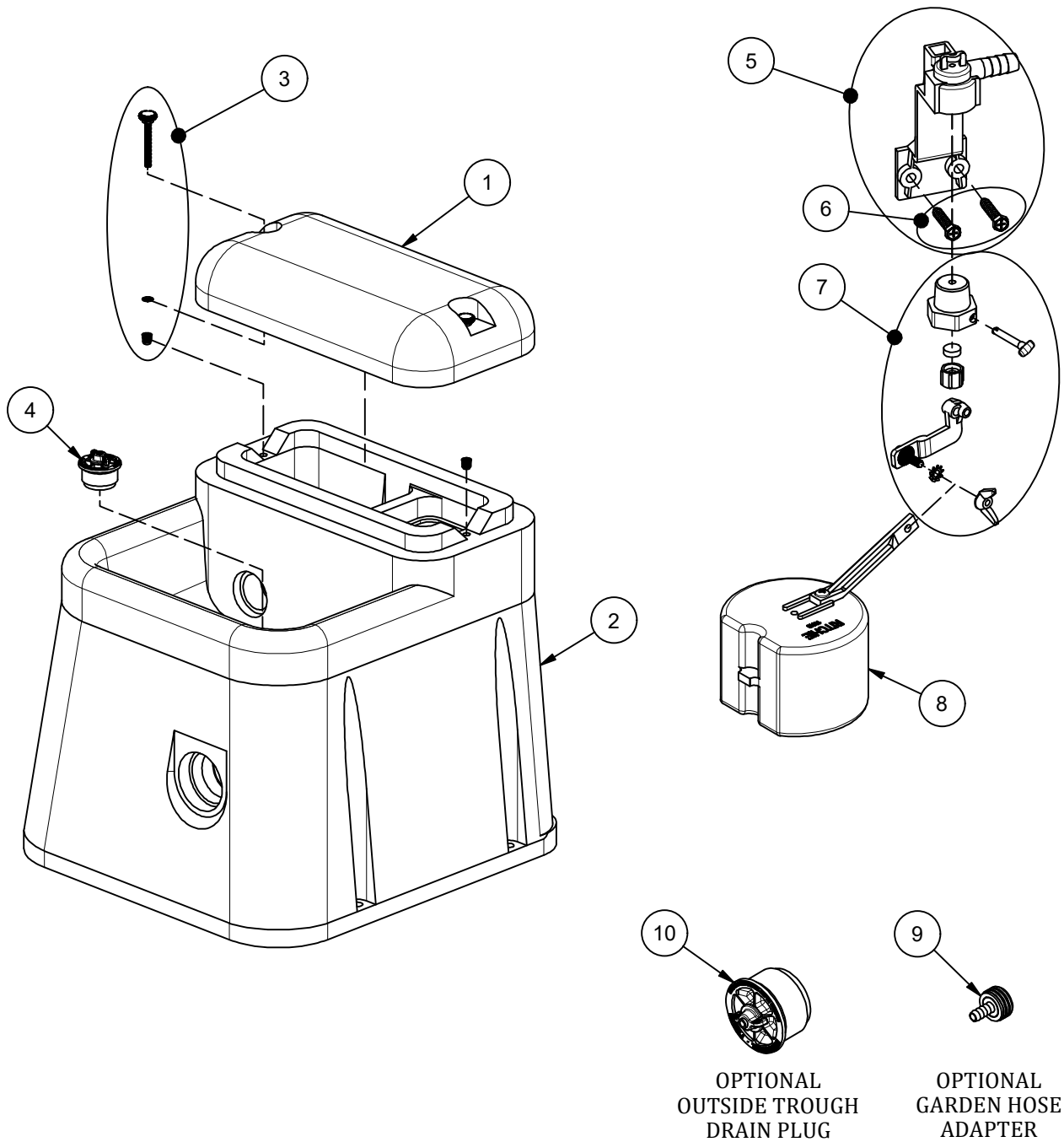
Refer to heated unit sheets for additional repair parts.

Item	Part #	Description	Qty	Item	Part #	Description	Qty
1	18316	Fenwal Replacement Plug pkg	1 pkg	7	16891	Red Male Valve w/ Petcock pkg	1 pkg
2	12154	Constant Flow Overflow Pipe 2"	1	8	18314	Float with Hardware pkg	1 pkg
3	17679	CM Bulkhead fitting 2"	1	9	11793	Petcock Valve pkg	1 pkg
4	18470	Drain Plug Ritchie 3"	1 pkg	10	18839	HP Petcock Valve pkg	1 pkg
5	18181	CM Standpipe pkg	1 pkg	11	18832	HP Valve Assembly pkg	1 pkg
6	11514	Valve Bracket 3/4" pkg	1 pkg				

CM_CF-RPI.dwg
11/14/2023

Genesis G-1

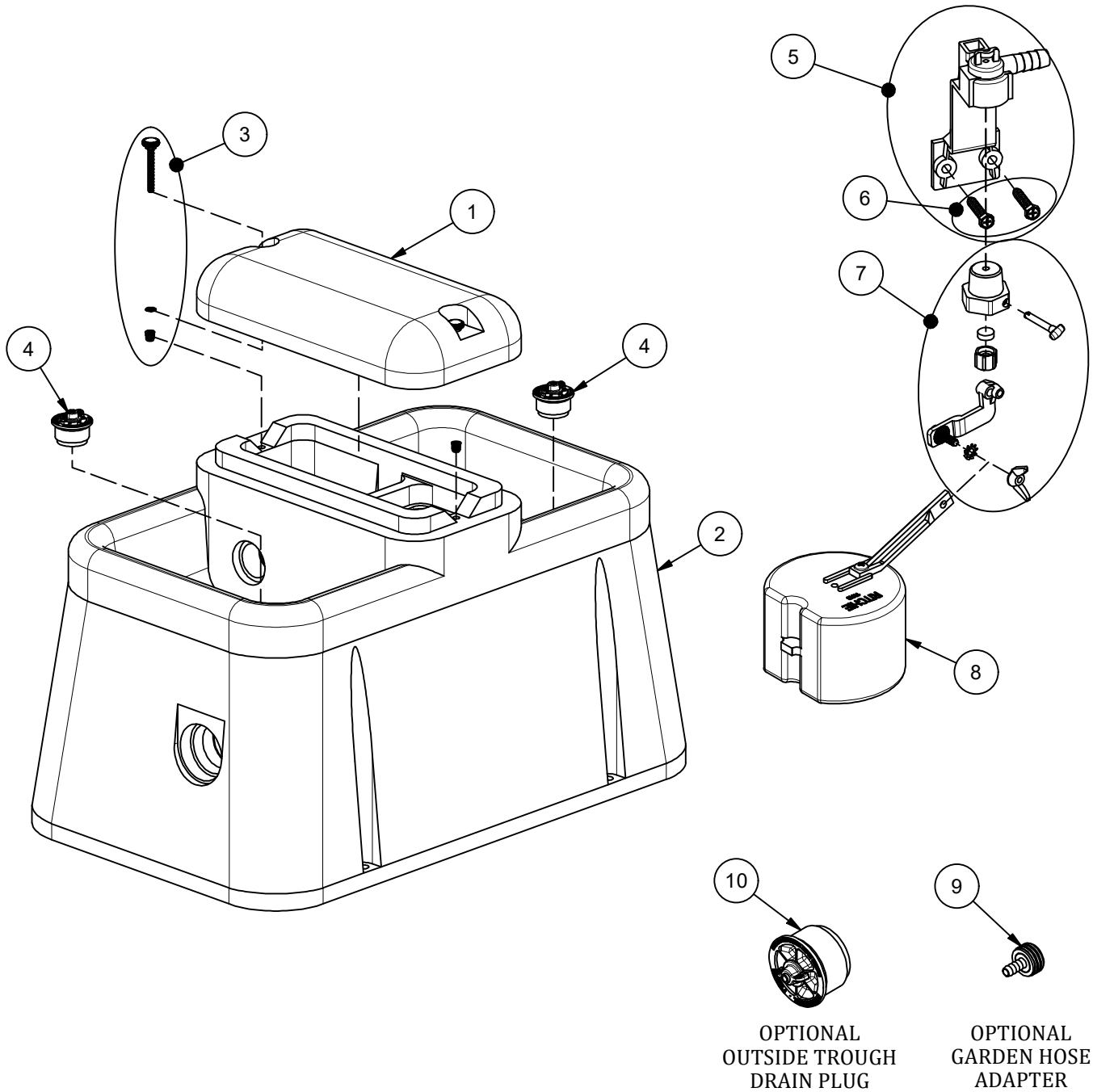
Part # 18880



Item	Part #	Description	Qty	Item	Part #	Description	Qty
1	18882	Genesis Cover	1	7	12575	Red Valve 1/2" pkg	1
2	18881	Genesis 1 Base	1	8	13613	Float with Short Arm pkg	1 pkg
3	18821	Cover Screw & Hardware (2/pkg)	1 pkg	9	18799	Garden Hose Hookup	1
4	18849	Ritchie 2" Plug pkg	1 pkg	10	18470	Ritchie 3" Plug pkg	1 pkg
5	11515	Valve Bracket w/screw pkg	1 pkg	NS	18888	G1/G2 Accessory pkg	1 pkg
6	18709	Screw Valve Mount (4/pkg)	1 pkg				

Genesis G-2

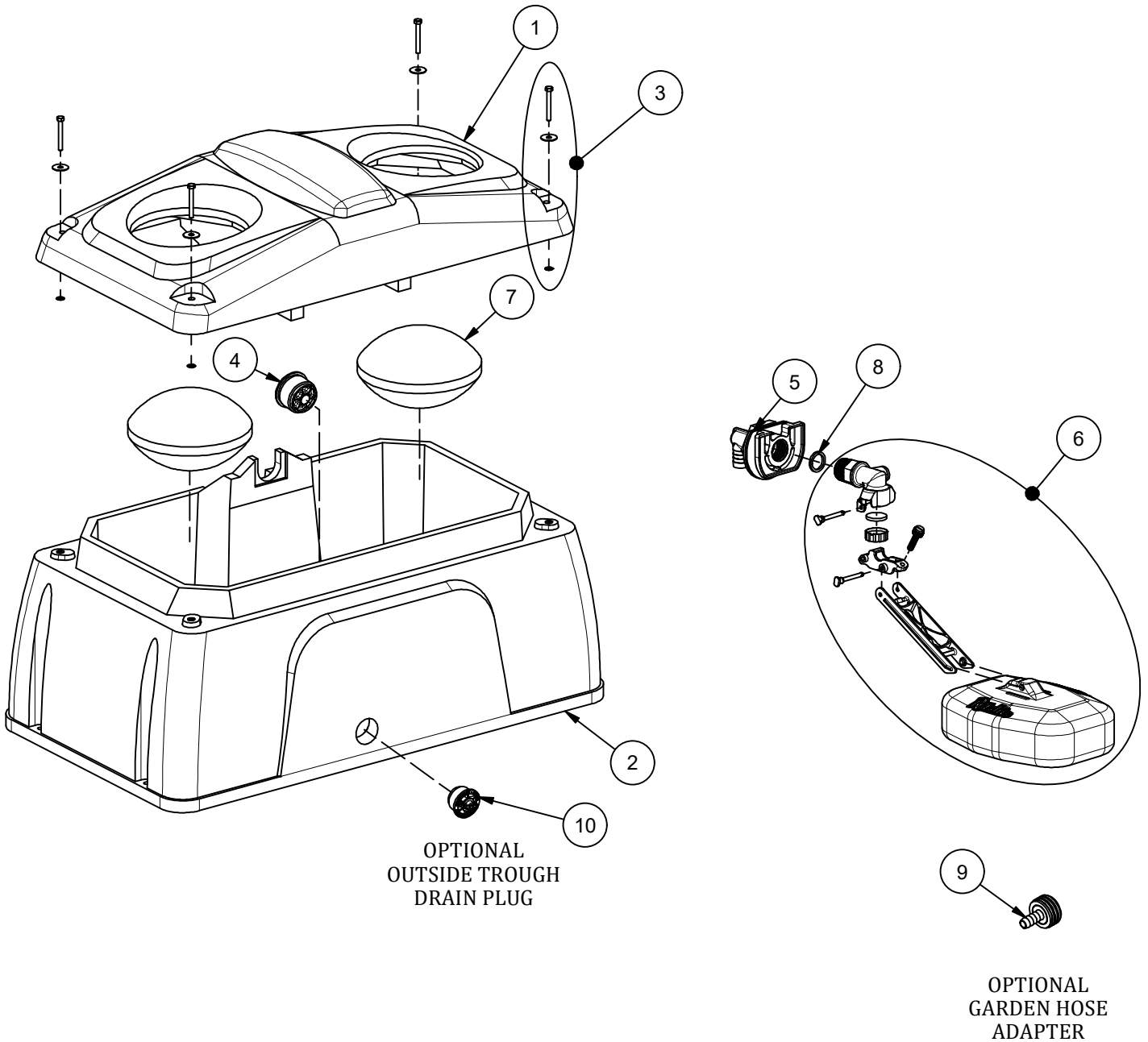
Part # 18885



Item	Part #	Description	Qty	Item	Part #	Description	Qty
1	18882	Genesis Cover	1	7	12575	Red Valve 1/2" pkg	1
2	18886	Genesis 2 Base	1	8	13613	Float with Short Arm pkg	1 pkg
3	18821	Cover Screw & Hardware (2/pkg)	1 pkg	9	18799	Garden Hose Hookup	1
4	18849	Ritchie 2" Plug pkg	2 pkgs	10	18470	Ritchie 3" Plug pkg	2 pkgs
5	11515	Valve Bracket w/ screw pkg	1 pkg	NS	18888	G1/G2 Accessory pkg	1 pkg
6	18709	Screw Valve Mount (4/pkg)	1 pkg				

Genesis GC-2

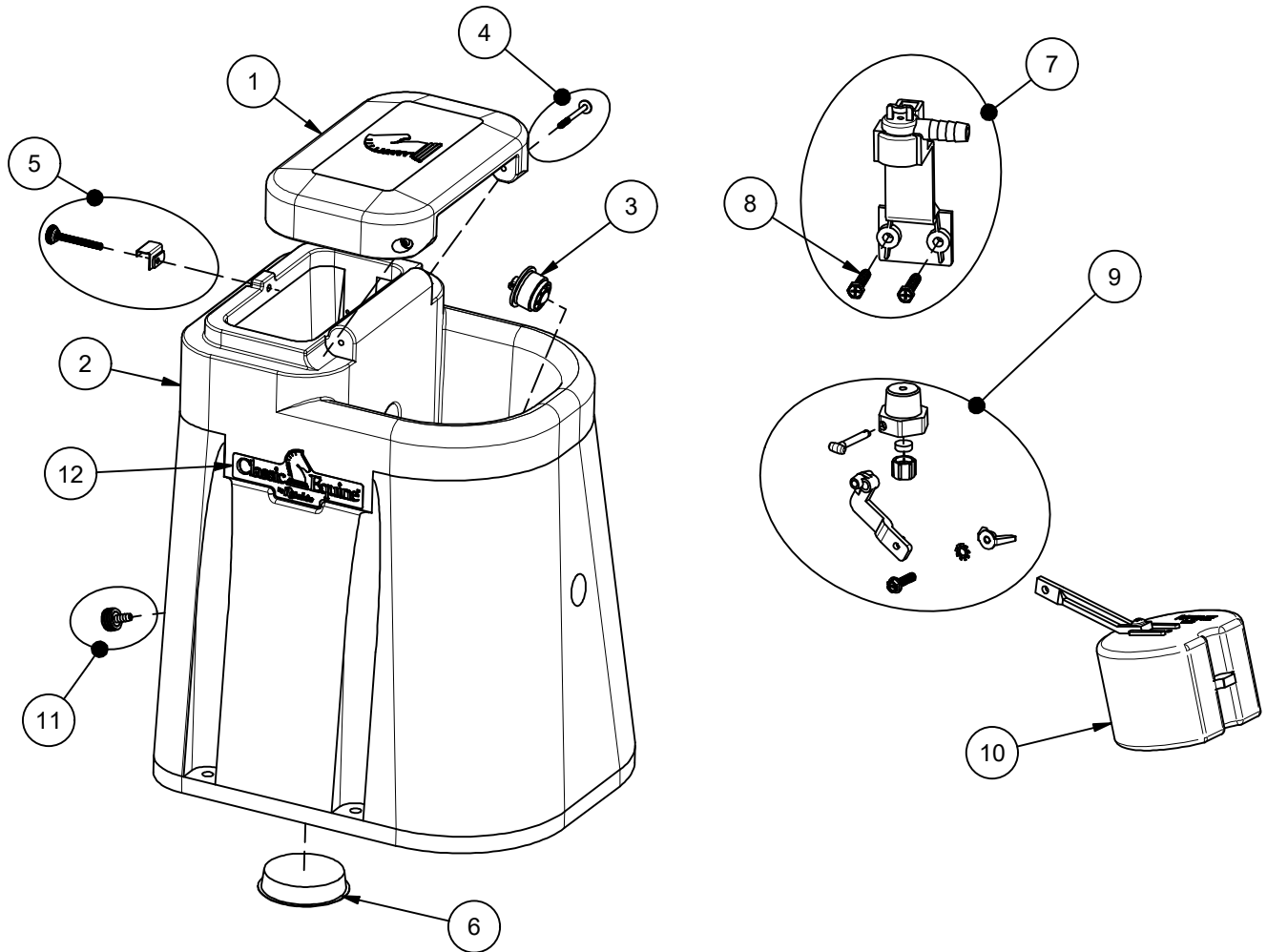
Part # 18890



Item	Part #	Description	Qty	Item	Part #	Description	Qty
1	18892	Genesis GC-2 Cover	1	7	18674	Elliptical Ball Enclosure (Blue)	2
2	18891	Genesis GC-2 Base	1	8	18475	O-Ring Valve Seal Pkg (4/pkg)	1
3	18858	Cover Hardware GC (4/pkg)	1 pkg	9	18696	Garden Hose Hookup	1
4	18470	Ritchie 3" Plug pkg	1 pkg	10	18849	Ritchie 2" Plug pkg (Optional)	1 pkg
5	18838	HP Valve Brkt Assy pkg	1 pkg	NS	18893	GC-2 Accessory pkg	1 pkg
6	18832	HP Valve Assembly pkg	1 pkg				

Classic Equine EZFOUNT

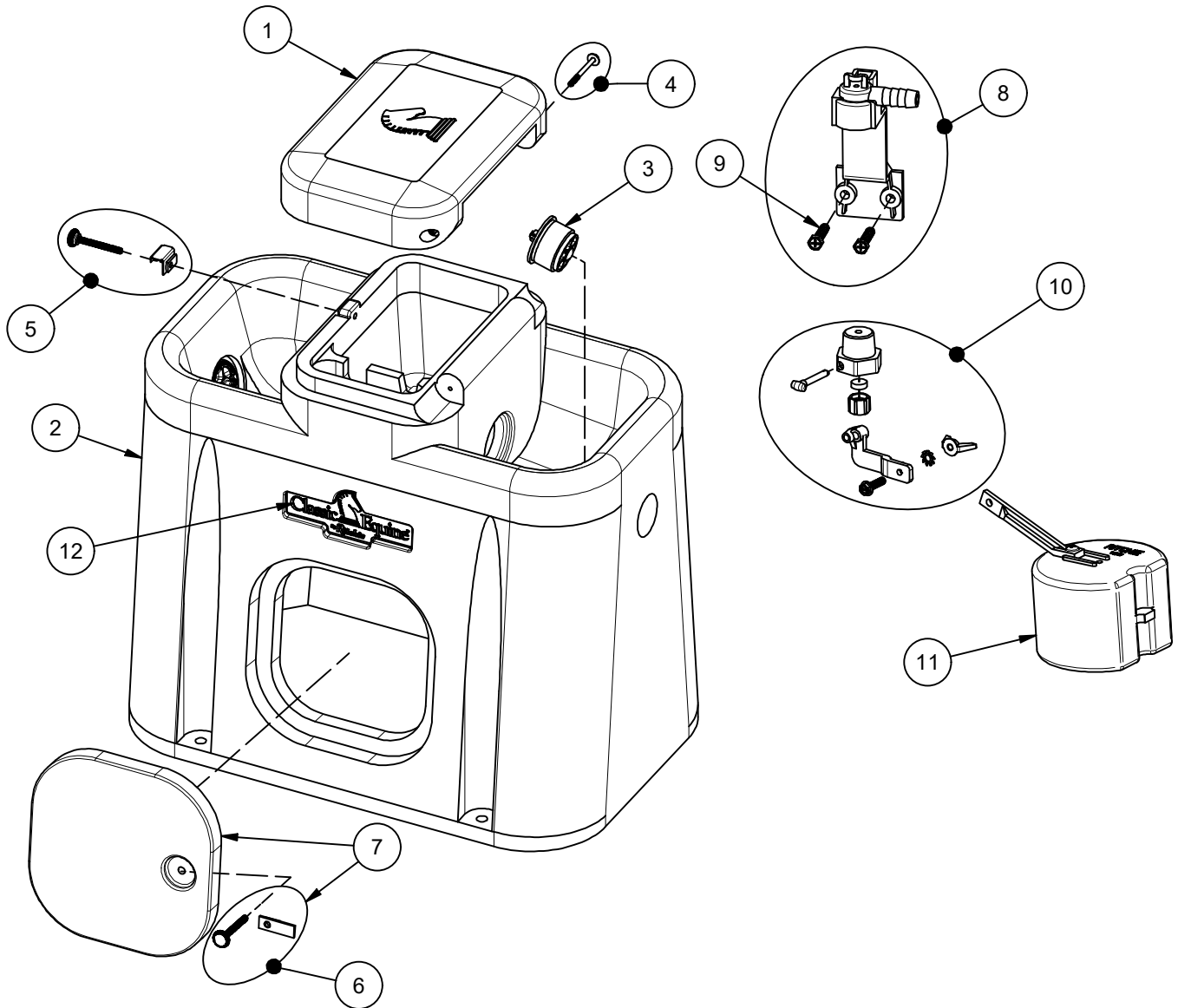
Part # 18710



Item	Part #	Description	Qty	Item	Part #	Description	Qty
1	18712	EZFOUNT Cover	1	9	13597	Green Valve 1/2" pkg	1 pkg
2	18714	EZFOUNT Base	1	10	13613	Float with Short Arm pkg	1 pkg
3	18849	Ritchie 2" Plug Package	1 pkg	11	18717	EZFOUNT Hose Adpt. Pkg	1 pkg
4	18716	Classic Equine Hinge Bolt (2/pkg)	1 pkg	12	18719	Classic Equine Logo pkg (2/pkg)	1 pkg
5	18718	Cover Latch Hardware pkg	1 pkg	NS	15931	Hose Clamp SS (5/pkg)	1 pkg
6	18727	Cap Pkg (2/pkg)	1 pkg	NS	18613	Adapter 1/2" x 3/8" HB	1 pkg
7	11515	Valve Bracket w/Screw pkg	1 pkg				
8	18709	Screw Valve Mount (4/pkg)	1 pkg				

Classic Equine AUTOFOUNT 2

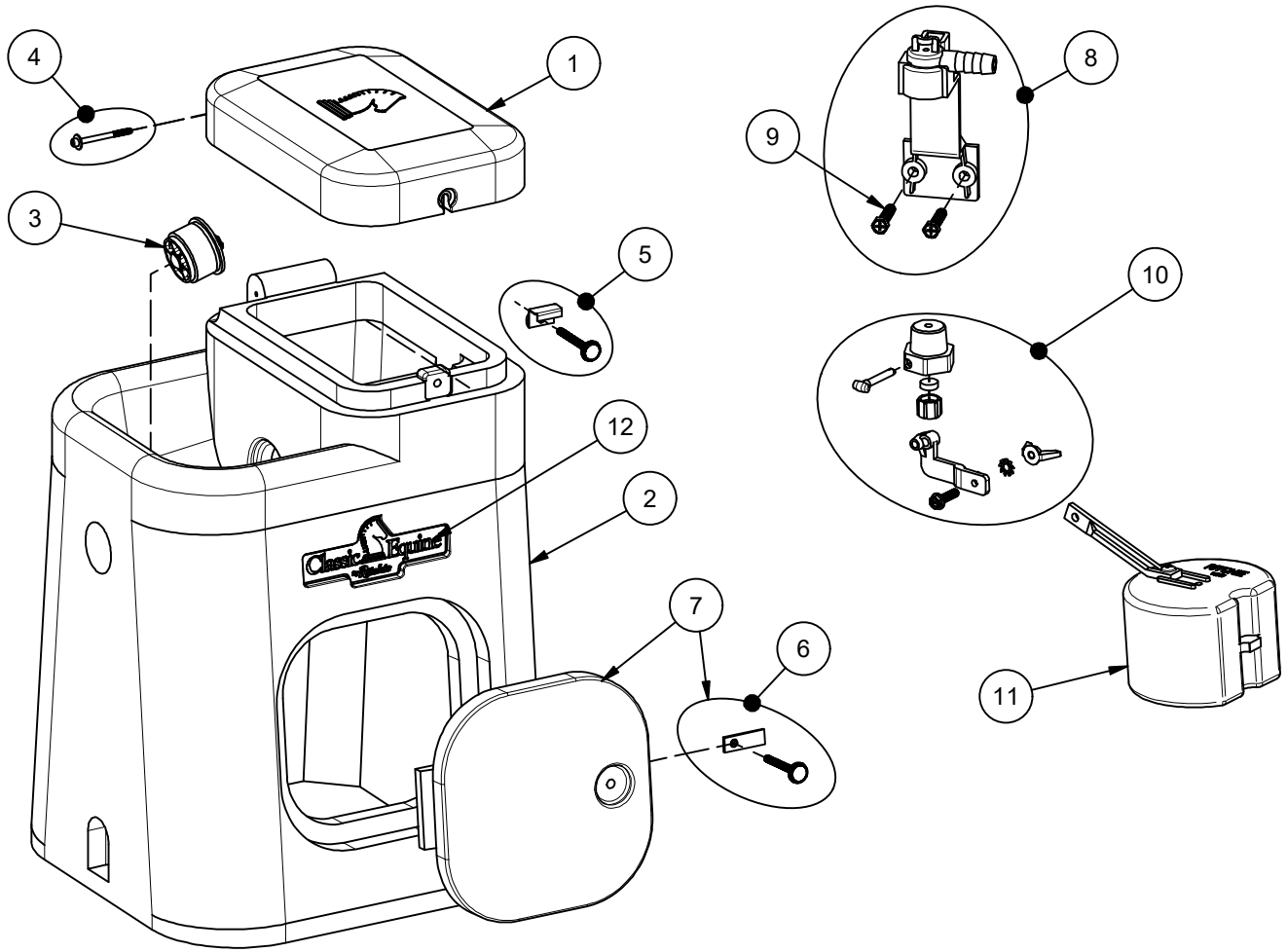
Part # 18720



Item	Part #	Description	Qty	Item	Part #	Description	Qty
1	18722	AUTOFOUNT Cover	1	9	18709	Screw Valve Mount (4/pkg)	1 pkg
2	18724	AUTOFOUNT Base	1	10	12575	Red Valve 1/2" pkg	1 pkg
3	18470	Drain Plug Ritchie 3"	2 pkgs	11	13613	Float with Short Arm pkg	1 pkg
4	18716	Classic Equine Hinge Bolt (2/pkg)	1 pkg	12	18719	Classic Equine Logo pkg (2/pkg)	1 pkg
5	18718	Cover Latch Hardware pkg	1 pkg	NS	15931	Hose Clamp SS (5/pkg)	1 pkg
6	18753	Access Panel Hardware Pkg	1 pkg	NS	18613	Adapter 1/2" x 3/8" HB	1 pkg
7	18726	Access Panel w/Hardware	1	NS	18739	AUTOFOUNT Accessory pkg	1 pkg
8	11515	Valve Bracket w/screw pkg	1 pkg	NS	14866	Seal Foam 10' Roll	1

Classic Equine AUTOFOUNT 1

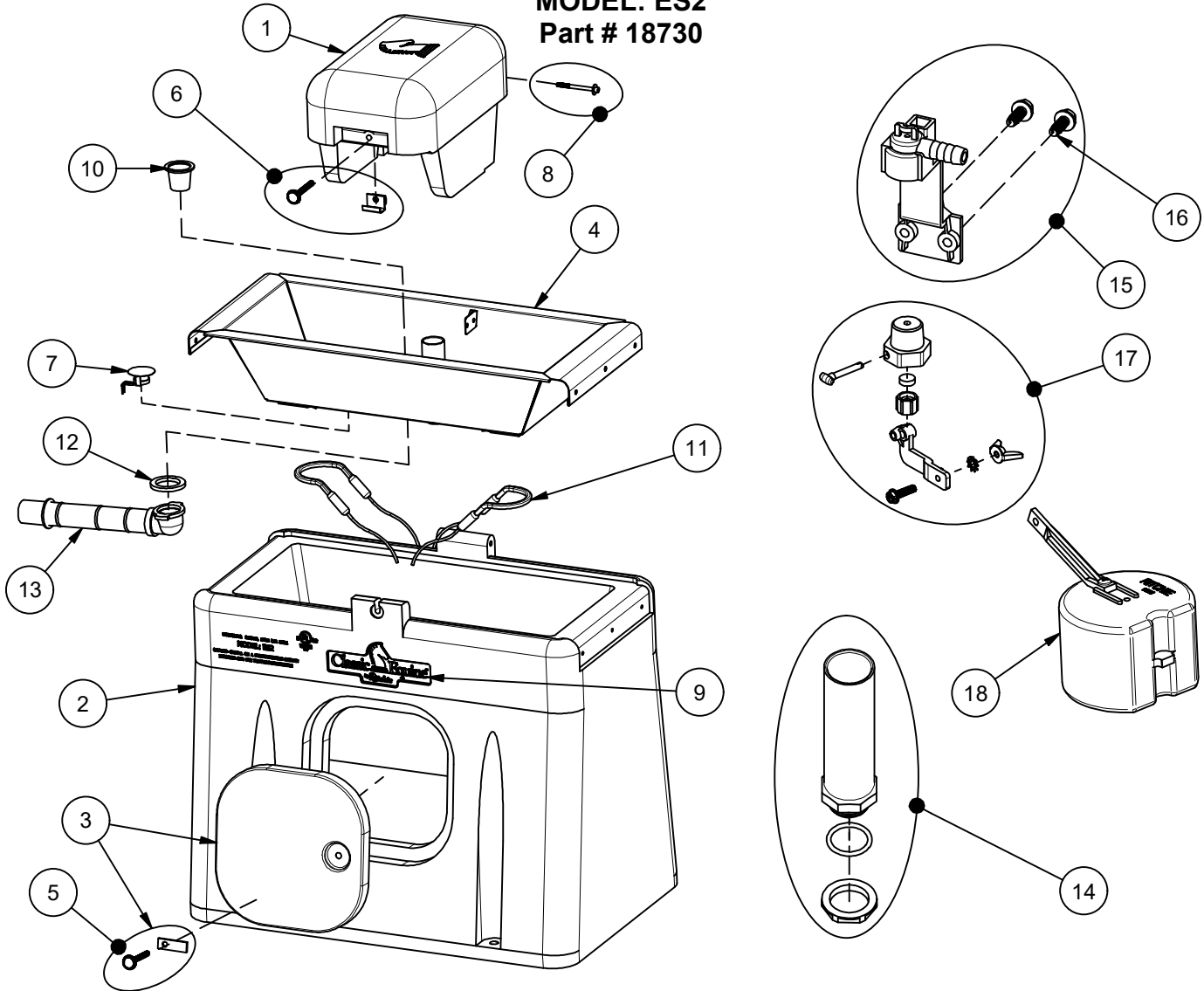
Part # 18770



Item	Part #	Description	Qty	Item	Part #	Description	Qty
1	18766	AUTOFOUNT 1 Cover	1	9	18709	Screw Valve Mount (4/pkg)	1 pkg
2	18768	AUTOFOUNT 1 Base	1	10	12575	Red Valve 1/2" pkg	1 pkg
3	18470	Drain Plug Ritchie 3"	1 pkg	11	13613	Float with Short Arm pkg	1 pkg
4	18716	Classic Equine Hinge Bolt (2/pkg)	1 pkg	12	18719	Classic Equine Logo pkg (2/pkg)	1 pkg
5	18718	Cover Latch Hardware pkg	1 pkg	NS	15931	Hose Clamp SS (5/pkg)	1 pkg
6	18753	Access Panel Hardware Pkg	1 pkg	NS	18613	Adapter 1/2" x 3/8" HB	1 pkg
7	18726	Access Panel w/hardware	1	NS	18739	AUTOFOUNT Accessory pkg	1 pkg
8	11515	Valve Bracket w/screws pkg	1 pkg	NS	14866	Seal Foam 10' Roll	1

Classic Equine ULTRAFOUNT

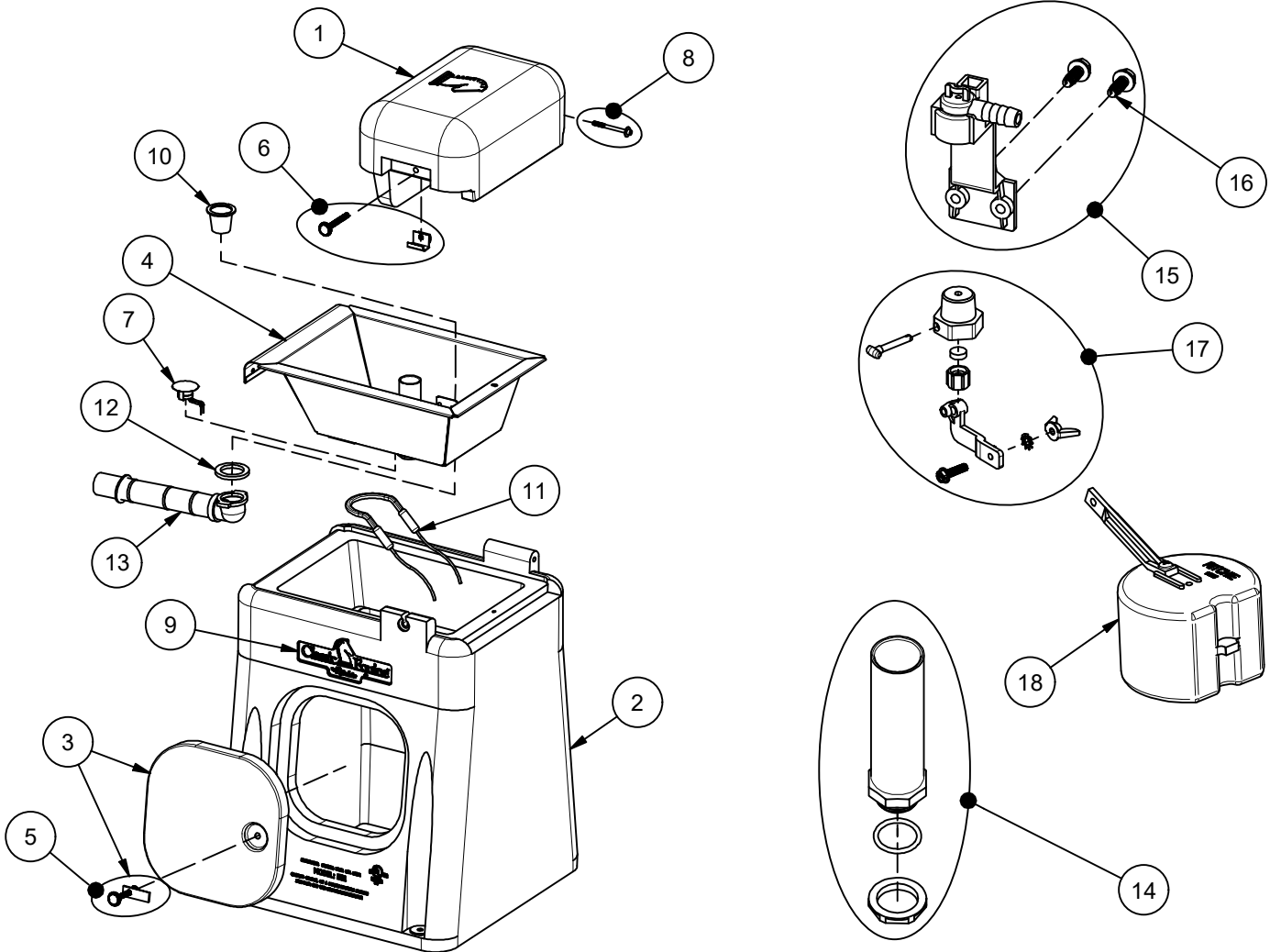
MODEL: ES2
Part # 18730



Item	Part #	Description	Qty	Item	Part #	Description	Qty
1	18734	ULTRAFOUNT Cover	1	14	16866	Standpipe pkg	1 pkg
2	18732	ULTRAFOUNT Casing	1	15	11515	Valve Bracket 1/2" w/ Scrws pkg	1 pkg
3	18726	Access Panel w/Hardware	1	16	15154	Screws Valve Bracket (10/ pkg)	1 pkg
4	18737	ULTRAFOUNT Trough	1	17	12575	Red Valve 1/2" pkg	1 pkg
5	18753	Access Panel Hardware Pkg	1 pkg	18	13613	Float with Short Arm pkg	1 pkg
6	18718	Cover Latch Hardware Pkg	1 pkg	NS	13830	Cable Htr 120V 48W (1/pkg)	1 pkg
7	11885	Disc Thermostat pkg	1 pkg	NS	18751	ULTRAFOUNT Accessory pkg	1 pkg
8	18716	Classic Equine Hinge Bolt (2/pkg)	1 pkg	NS	16523	Seal Foam 1/4"x3/4"x50' Roll	1
9	18719	Classic Equine Logo Pkg (2/pkg)	1 pkg	NS	14866	Seal Foam 10' Roll	1
10	18628	Drain Plug (2/pkg)	1 pkg				
11	14150	Heater 120V 125W (1/pkg)	2 pkgs				
12	18075	Drain Washer (6/pkg)					
13	11472	Drain Pipe with Elbow	1 pkg				

Classic Equine ULTRAFOUNT

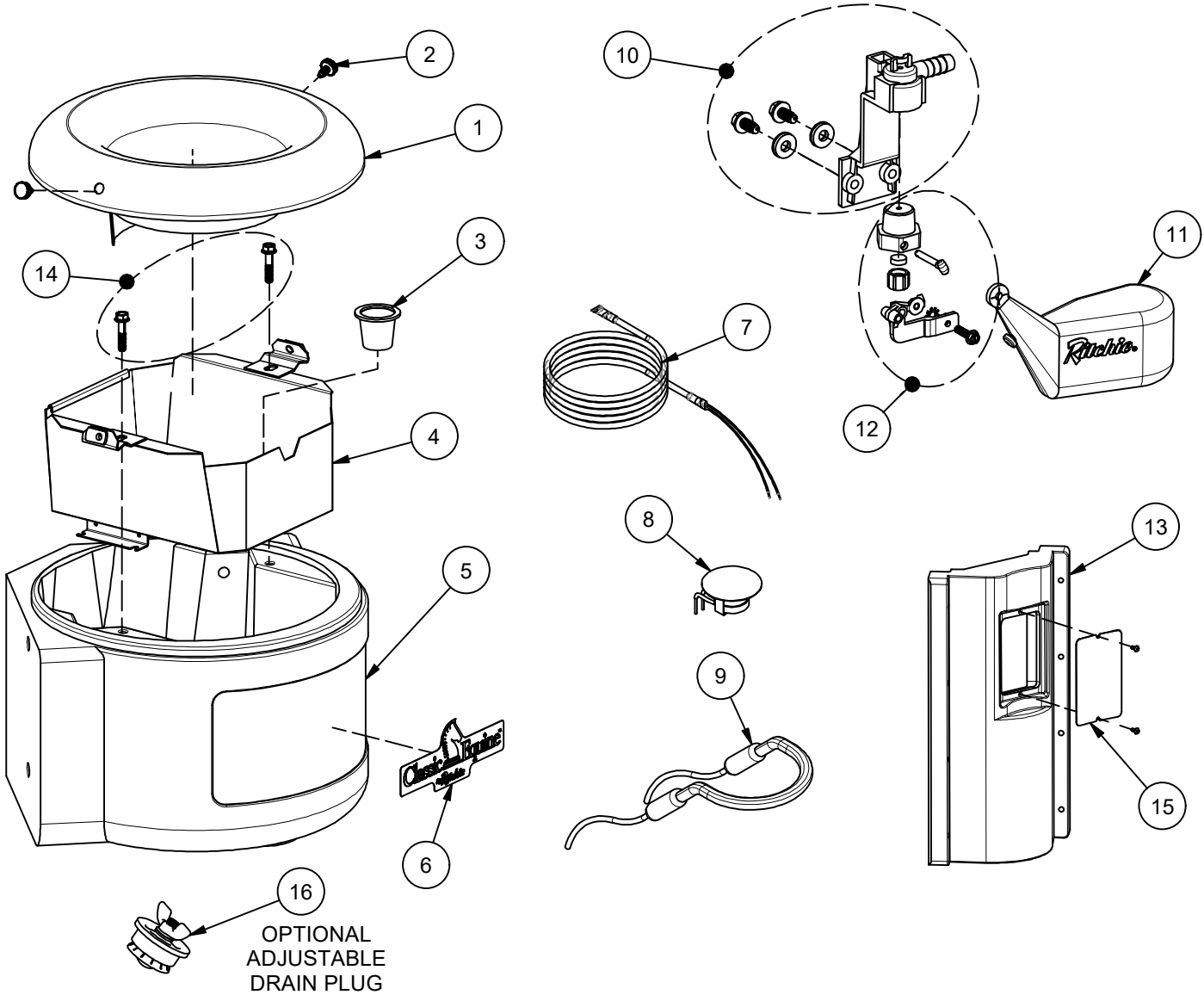
MODEL: ES1
Part # 18780



Item	Part #	Description	Qty	Item	Part #	Description	Qty
1	18778	ULTRAFOUNT ES1 Cover	1	14	16866	Standpipe pkg	1 pkg
2	18776	ULTRAFOUNT ES1 Casing	1	15	11515	Valve Bracket w/screws pkg	1 pkg
3	18726	Access Panel w/Hardware	1	16	15154	Screws Valve Bracket (10/pkg)	1 pkg
4	18775	ULTRAFOUNT ES1 Trough	1	17	12575	Red Valve 1/2" pkg	1 pkg
5	18753	Access Panel Hardware Pkg	1 pkg	18	13613	Float with Short Arm pkg	1 pkg
6	18718	Cover Latch Hardware Pkg	1 pkg	NS	13830	Cable Htr 120V 48W (1/pkg)	1 pkg
7	11885	Disc Thermostat pkg	1 pkg	NS	18751	ULTRAFOUNT Accessory pkg	1 pkg
8	18716	Classic Equine Hinge Bolt (2/pkg)	1 pkg	NS	16523	Seal Foam 1/4"x3/4"x50' Roll	1
9	18719	Classic Equine Logo Pkg (2/pkg)	1 pkg	NS	14866	Seal Foam 10' Roll	1
10	18628	Drain Plug (2/pkg)	1 pkg				
11	14150	Heater 120V 125W (1/pkg)	1 pkg				
12	18075	Drain Washer (6/pkg)					
13	11472	Drain Pipe with Elbow	1 pkg				

Classic Equine STALLFOUNT

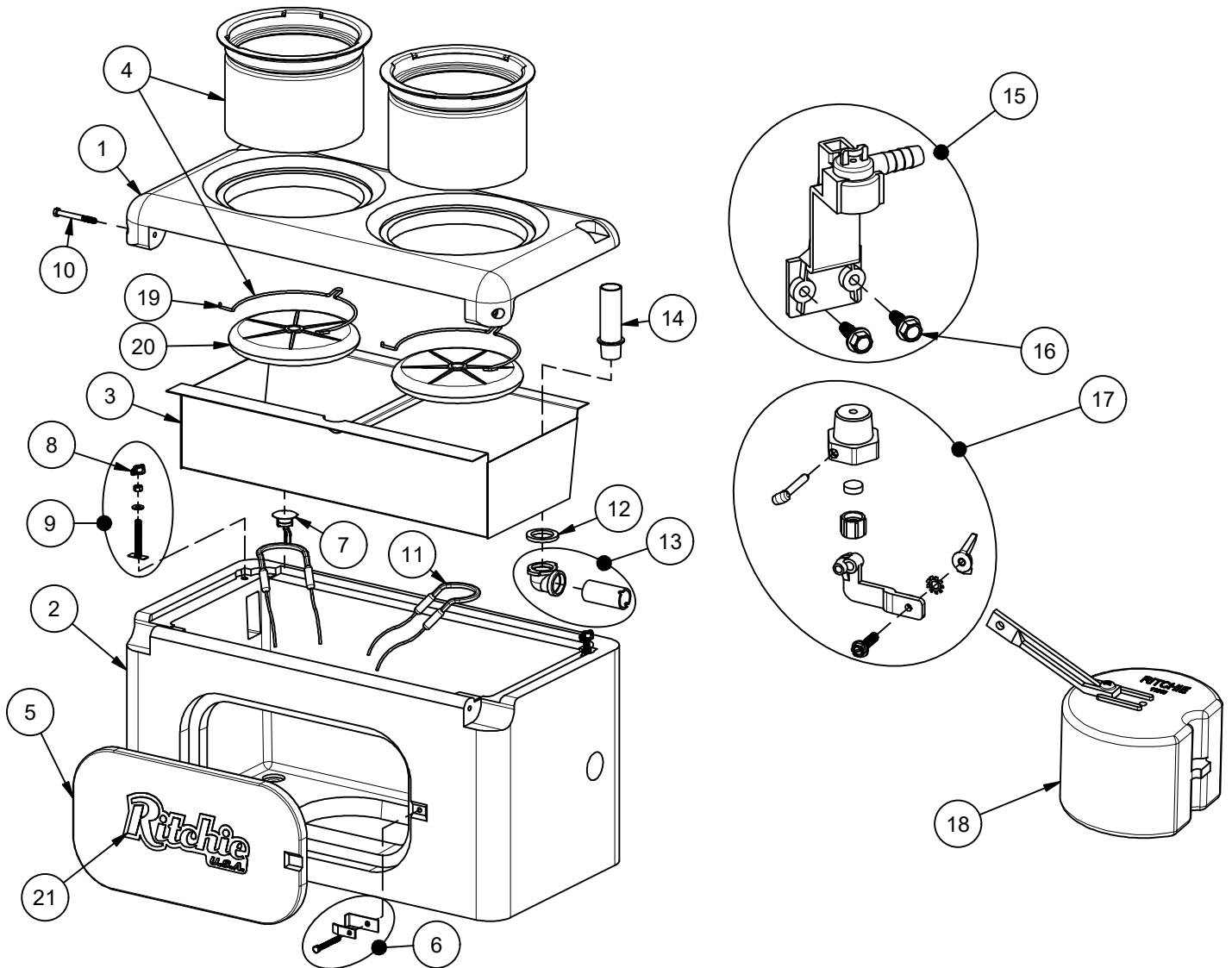
Part # 18740



Item	Part #	Description	Qty	Item	Part #	Description	Qty
1	18486	Cover	1	13	18746	Shroud 30"	1
2	18494	Screw PKG - SF Cover (2/pkg)	1 pkg	14	18878	Trough HD Screws (2/pkg)	1 pkg
3	18628	Drain Plug (2/pkg)	1 pkg	15	18695	Acc. Panel w/ screws (Equine SF)	1 pkg
4	18477	Trough (120V/240V)	1	16	18643	Drain Plug 1 1/2" Adj	1
5	18742	CE Stallfount Base	1	NS	18744	Shroud 20"	1
6	18719	Classic Equine Logo pkg (2/pkg)	1 pkg	NS	18613	Adapter 1/2" x 3/8 HB	1 pkg
7	13830	Cable Heater 120V 48 Watt	1 pkg	NS	15931	Hose Clamp (5/pkg)	1 pkg
8	11885	Disc Thermostat Pkg.	1 pkg	NS	18754	Equine SF Accessory Pkg.	1 pkg
9	14150	Heater 120V 125 Watt	1 pkg				
10	18641	Valve Bracket & Screws SF2	1 pkg		18748	CE Stallfount - No Heat	
11	18642	Float	1 pkg	NS	18487	Trough (No-Heat)	1
12	13597	Valve Pkg. Green	1 pkg				

EcoFount 2

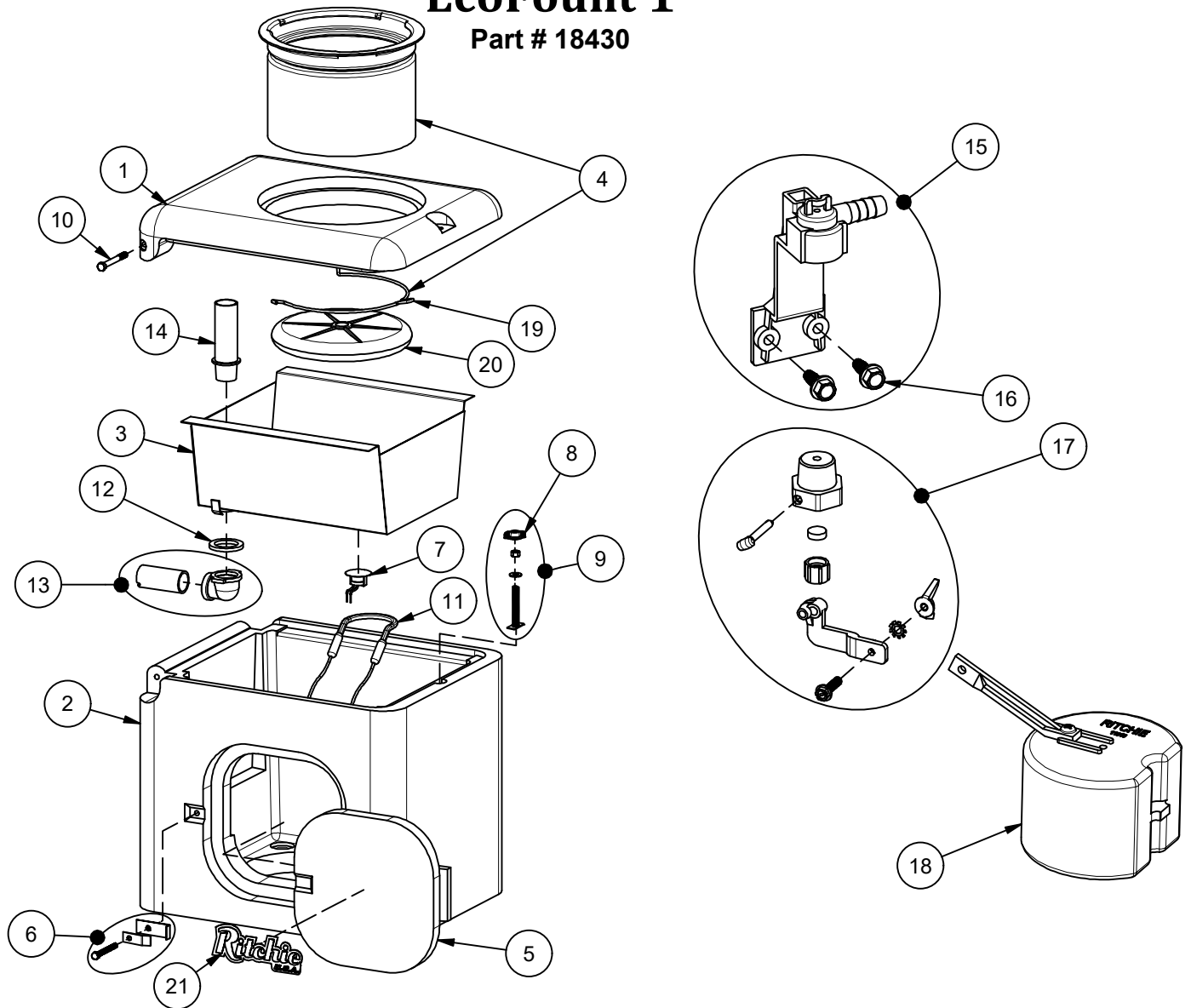
Part # 18440



Item	Part #	Description	Qty	Item	Part #	Description	Qty
1	18444	EcoFount 2 Top	1	16	15154	Screws Valve Bracket (10/ pkg)	1 pkg
2	18446	EcoFount 2 Casing	1	17	12575	Red Valve 1/2" pkg	1 pkg
3	18438	EcoFount 2 Trough	1 pkg	18	13613	Float with Short Arm pkg	1 pkg
4	18447	EcoFount Drinkwell W/ Ring pkg	2 pkgs	19	17963	Retaining Ring SS	2
5	16562	Access Panel 10" x 20"	1	20	14412	Thermal Cap	2
6	18147	Access Panel Hardware pkg	1 pkg	21	18653	Ritchie Decal 12" (1/pkg)	1 pkg
7	11885	Disc Thermostat pkg	1 pkg	NS	18318	Bolt Down Washer (4/pkg)	1 pkg
8	18451	Wing Nut 3/8" Nylon (4/pkg)	1 pkg	NS	13830	Cable Htr 120V 48W (1/pkg)	1 pkg
9	18448	T-Bolt w/Wingnut 3/8" pkg (2/pkg)	1 pkg	NS	18429	EcoFount Accessory pkg	1 pkg
10	18452	Bolt 3/8"x3" SS (2/pkg)	1 pkg	NS	14866	Seal Foam 10' Roll	1
11	14150	Heater 120V 125W (1/pkg)	2 pkgs				
12	18075	Drain Washer (6/pkg)	1 pkg		18441	EcoFount 2 240V	
13	18790	Drain Pipe with Elbow	1	NS	16664	Heater 240V 200W (1/pkg)	2 pkgs
14	14647	Drain Plug Overflow	1	NS	16424	Cable Htr 240V 48W (1/pkg)	1 pkg
15	11515	Valve Bracket w/screws pkg	1 pkg				

EcoFount 1

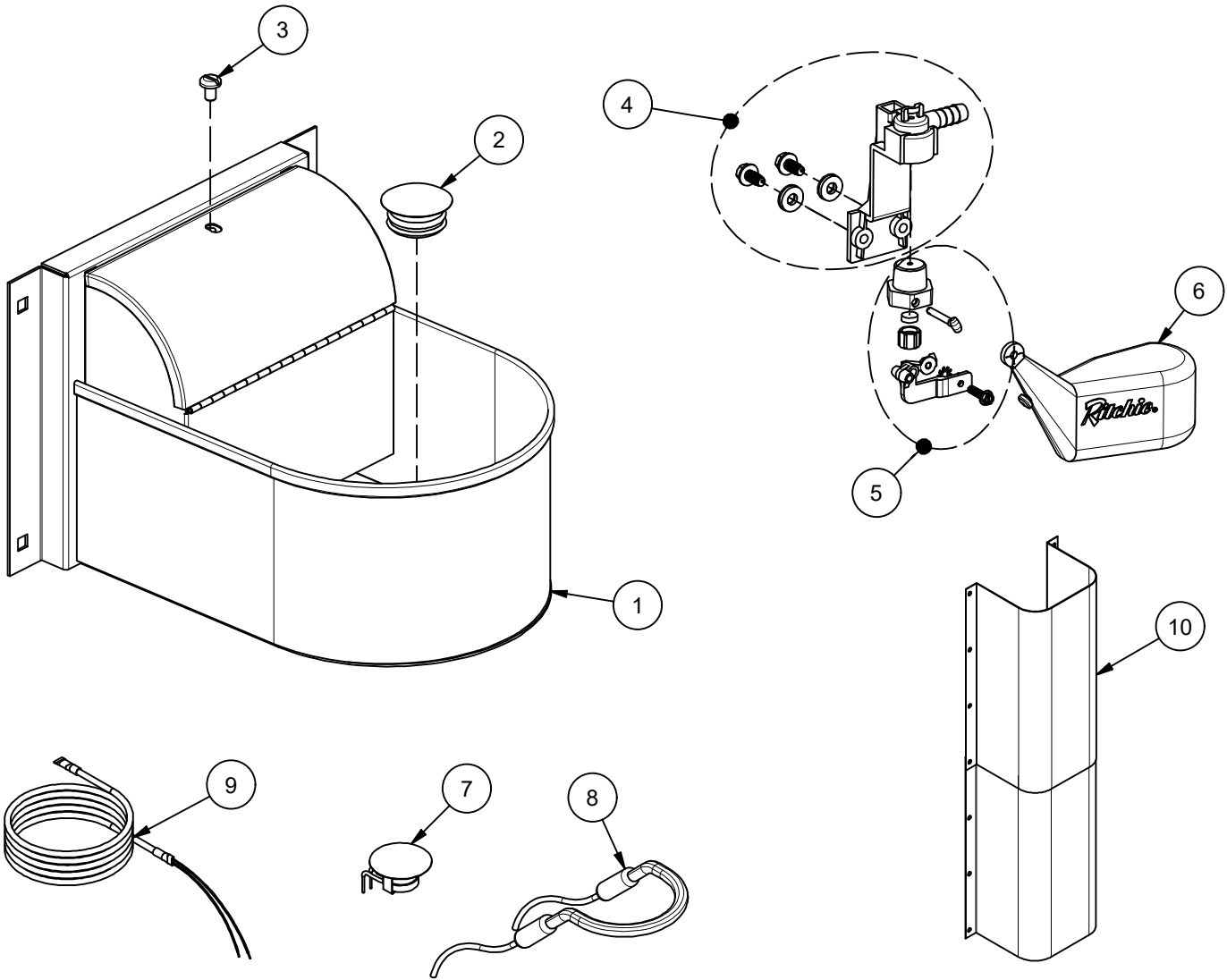
Part # 18430



Item	Part #	Description	Qty	Item	Part #	Description	Qty
1	18434	EcoFount 1 Top	1	16	15154	Screws Valve Bracket (10/ pkg)	1 pkg
2	18436	EcoFount 1 Casing	1	17	12575	Red Valve 1/2" pkg	1 pkg
3	18437	EcoFount 1 Trough	1 pkg	18	13613	Float with Short Arm pkg	1 pkg
4	18447	EcoFount Drinkwell W/ Ring pkg	1 pkg	19	17963	Retaining Ring SS	1
5	18370	Access Panel 10" x 10"	1	20	14412	Thermal Cap	1
6	18147	Access Panel Hardware pkg	1 pkg	21	18655	Ritchie Decal 7.5" (1/pkg)	1 pkg
7	11885	Disc Thermostat pkg	1 pkg	NS	18318	Bolt Down Washer (4/pkg)	1 pkg
8	18451	Wing Nut 3/8" Nylon (4/pkg)	1 pkg	NS	13830	Cable Htr 120V 48W (1/pkg)	1 pkg
9	18448	T-Bolt w/ Wingnut 3/8" (2/pkg)	1 pkg	NS	18429	EcoFount Accessory pkg	1 pkg
10	18452	Bolt 3/8"x3" SS (2/pkg)	1 pkg	NS	14866	Seal Foam 10' Roll	1
11	14150	Heater 120V 125W (1/pkg)	1 pkg				
12	18075	Drain Washer (6/pkg)	1 pkg		18431	EcoFount 1 240V	
13	18790	Drain Pipe with Elbow	1	NS	16664	Heater 240V 200W (1/pkg)	1 pkg
14	14647	Drain Plug Overflow	1	NS	16424	Cable Htr 240V 48W (1/pkg)	1 pkg
15	11515	Valve Bracket w/screws pkg	1 pkg				

StallFount 125

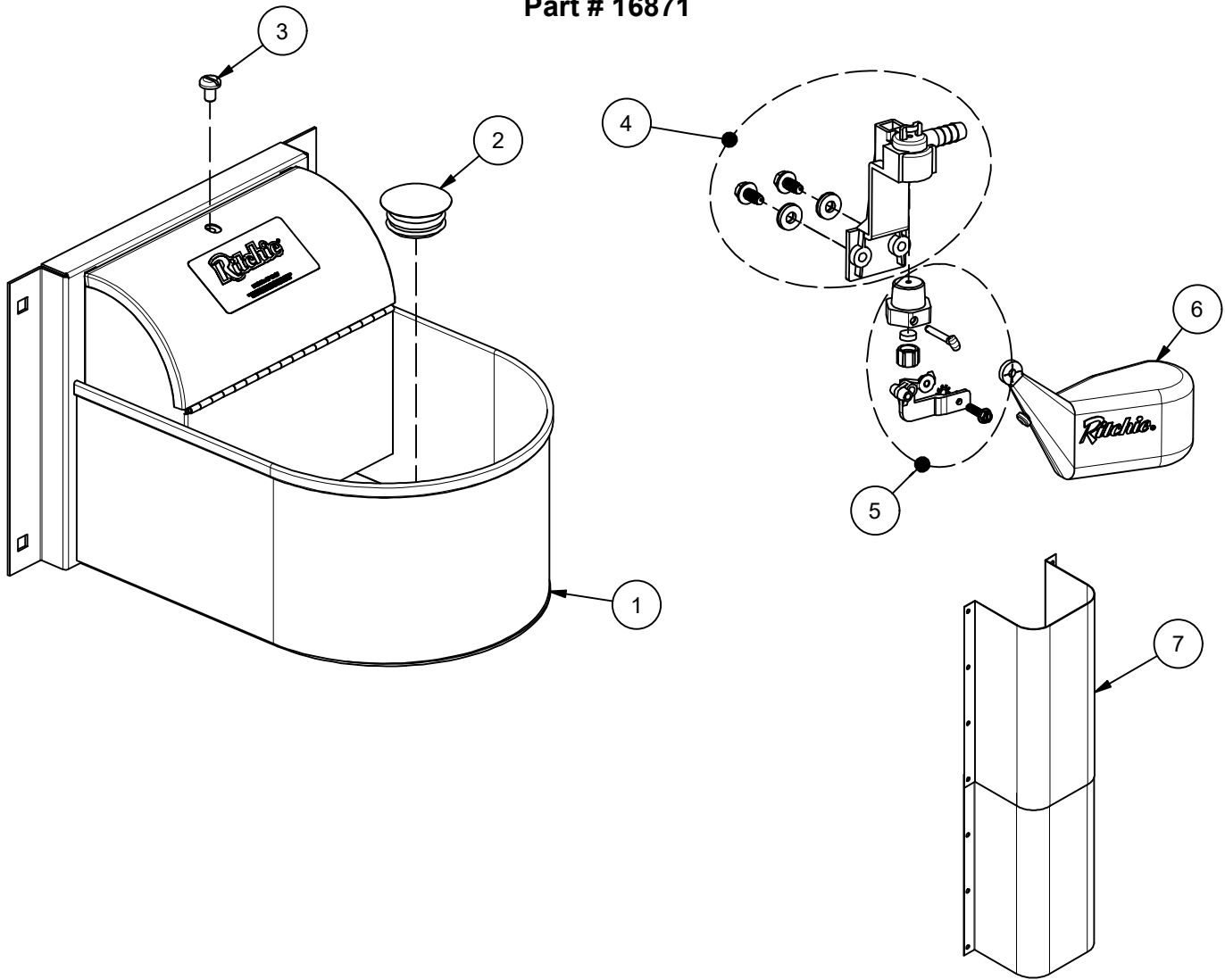
Part # 18082



Item	Part #	Description	Qty	Item	Part #	Description	Qty
1	18083	SF Trough Complete	1	10	18092	Shroud Set	1 pkg
2	18876	SF Trough Plug	1	NS	18613	Adapter 1/2" x 3/8" HB	1 pkg
3	18080	SF Cover Screw (6/pkg)	1 pkg	NS	15931	Hose Clamp SS (5/pkg)	1 pkg
4	11515	Valve Bracket w/ screw pkg	1 pkg	NS	18228	SF Accessory pkg	1 pkg
5	13597	Valve 1/2" pkg Green	1 pkg				
6	18642	Float	1 pkg		18415	SF 240 200W	
7	11885	Disc Thermostat pkg	1 pkg				
8	14150	Heater 120V 125W pkg	1 pkg	NS	16664	Heater 240V 200w (1/pkg)	1 pkg
9	13830	Cable Heater 120V 48W pkg	1 pkg	NS	16424	Cable Htr 240v 48W (1/pkg)	1 pkg

StallFount

Part # 16871



Item	Part #	Description	Qty	Item	Part #	Description	Qty
1	16877	SF Trough Complete	1	6	18642	Float	1 pkg
2	18876	SF Trough Plug	1	7	18092	Shroud Set Optional.	1 pkg
3	18080	SF Cover Screw (6/pkg)	1 pkg	NS	15931	Hose Clamp SS (5/pkg)	1 pkg
4	11515	Valve Bracket w/ screw pkg	1 pkg	NS	18228	SF Accessory pkg	1 pkg
5	13597	Green Valve 1/2" pkg	1 pkg				

Installation Variations

A stainless steel shroud may be purchased to protect the waterline between the floor and the Ritchie Stall Fount. Part number 18092 includes two sections of shroud, 19 ³/₄ inches long. This part is not required for the non-electric Stall Fount.

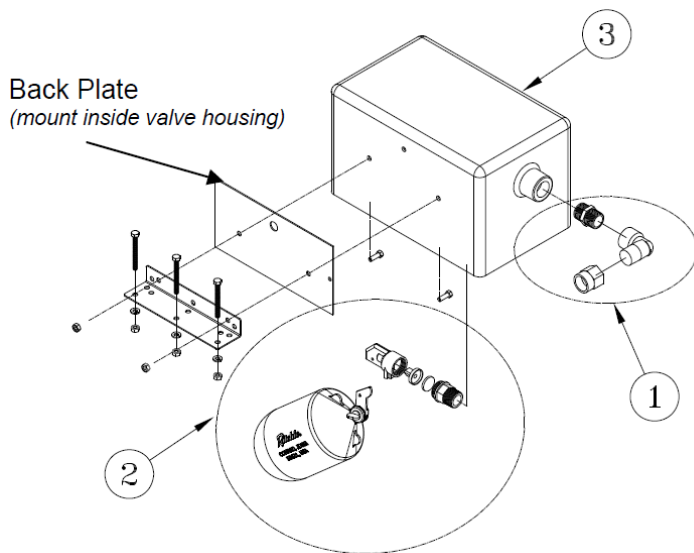
Installing the shroud - After the plumbing connections are made, install the optional shroud using 1/4" lag screws or bolts. When more than one section of shroud is used, the total length of the shroud can be adjusted in 6" increments by removing insulation as needed and moving top shroud down to align next set of holes.

Installation Instructions for Stock Tank Valve Part Number 18141



The Ritchie Stock Tank Valve is designed to fit on either plastic or steel tanks. The single bracket that is included can be orientated one of two ways depending on the tank you are mounting the unit to. The following describes how this bracket should be mounted for either type of tank installation.

1. Place the backing plate on the inside of the blue valve housing. Align all three holes and place the two short bolts through the two bottom holes from the inside out. Ensure that the center hole lines up with the hole on the valve housing, as it provides ventilation to prevent a vacuum from forming in the valve chamber.
2. Mount the angle bracket with the short side of the bracket touching the valve housing for plastic tanks, and long side touching the housing for steel tanks. The angle bracket should be mounted so the bend of the bracket is below the mounting holes, not on top.
3. Align the bolts sticking through the backing plate, housing, and angle bracket. Use the provided flanged nuts to fasten the assembly.
4. To mount the unit to the tank, use the outer and center holes to bolt to the bracket to the tank. For plastic tanks there are a pair of holes on each end and in the center you may use the set of holes closest to the valve housing, or further out on the bracket, whichever fits your tank better. For steel tanks there is only one set of holes. Use the angle bracket itself as a template to mark the three holes.
5. With a 5/16" bit, drill out the three pre-marked holes. NOTE: FOR STEEL TANKS, HOLES MAY HAVE TO BE DRILLED AT AN ANGLE TO GO ALL THE WAY THROUGH THE RIM SO BOLTS MAY BE INSTALLED.
6. Lay the bracket on top of the holes that you just drilled and insert the three 1/4-20 x 2 1/2 hex head bolts. Apply the remaining flange nuts to the bottom of the bolts and tighten.



The drawing at left shows the angle bracket oriented for use with plastic tanks. For use on steel tanks, orient as below:

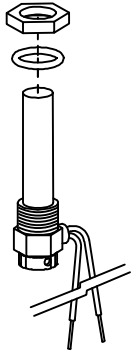


Item	Part #	Description
1	18144	Fittings
2	16993	Grn valve and float assembly
3	17685	Cover only

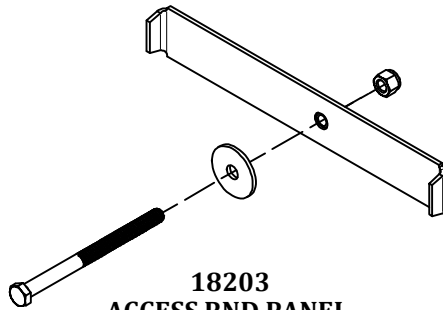
Discontinued Units and Parts

DESCRIPTION	DISCONTINUED DATE
Misc. Units	
Gas Burner Assembly (15424)	(01/2018)
3/4" Cattle Valve Configurations	(01/2019)
Omni Combination Conversion	(07/2022)
Stall Fount	
Stallfount 2	(01/2017)
Cattle/Combination Fountain	
#5E Cattle Fountain	(01/2013)
#3E Cattle Fountain	(01/2013)
#3 Combination Fount	(01/2013)
AC Series	
2 AC	(01/2013)
2 AC Special	(01/2013)
1 AC	(01/2013)
Thrifty King Hog	
HG-2	(07/2022)
HG-4	(07/2022)
Pork King	
Pork King 4	(07/2022)
Pork King 2-1	(07/2022)
Pork King 2	(07/2022)
Pork King 1	(07/2022)

OBSOLETE COMPONENTS

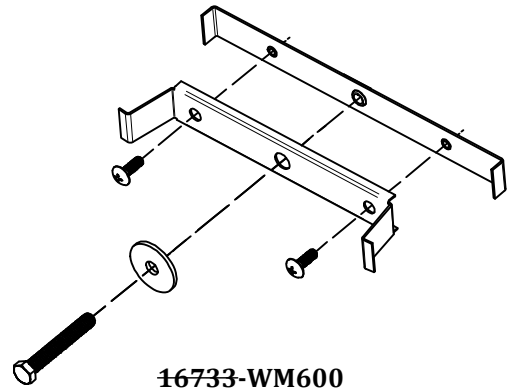


11422
BRASS FENWAL T-STAT



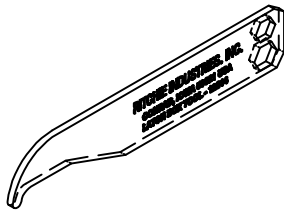
18203
ACCESS RND PANEL
HARDWARE PKG

Discontinued 2021

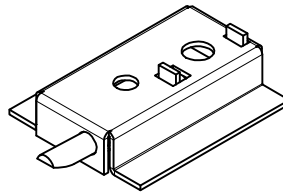


16733-WM600
18199 - WM1200
ACCESS RND PANEL
CONSTANT FLOW HARDWARE
PACKAGED WITH 16891 VALVE

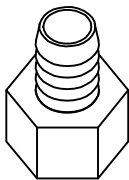
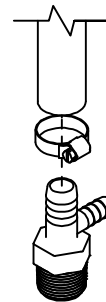
Discontinued 2021



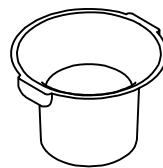
12814
LATCH BOX TOOL



11157
LATCH BOX ASSY PKG



18615
3/4" NPT FEMALE TO
5/8" HB SWIVEL NYLON



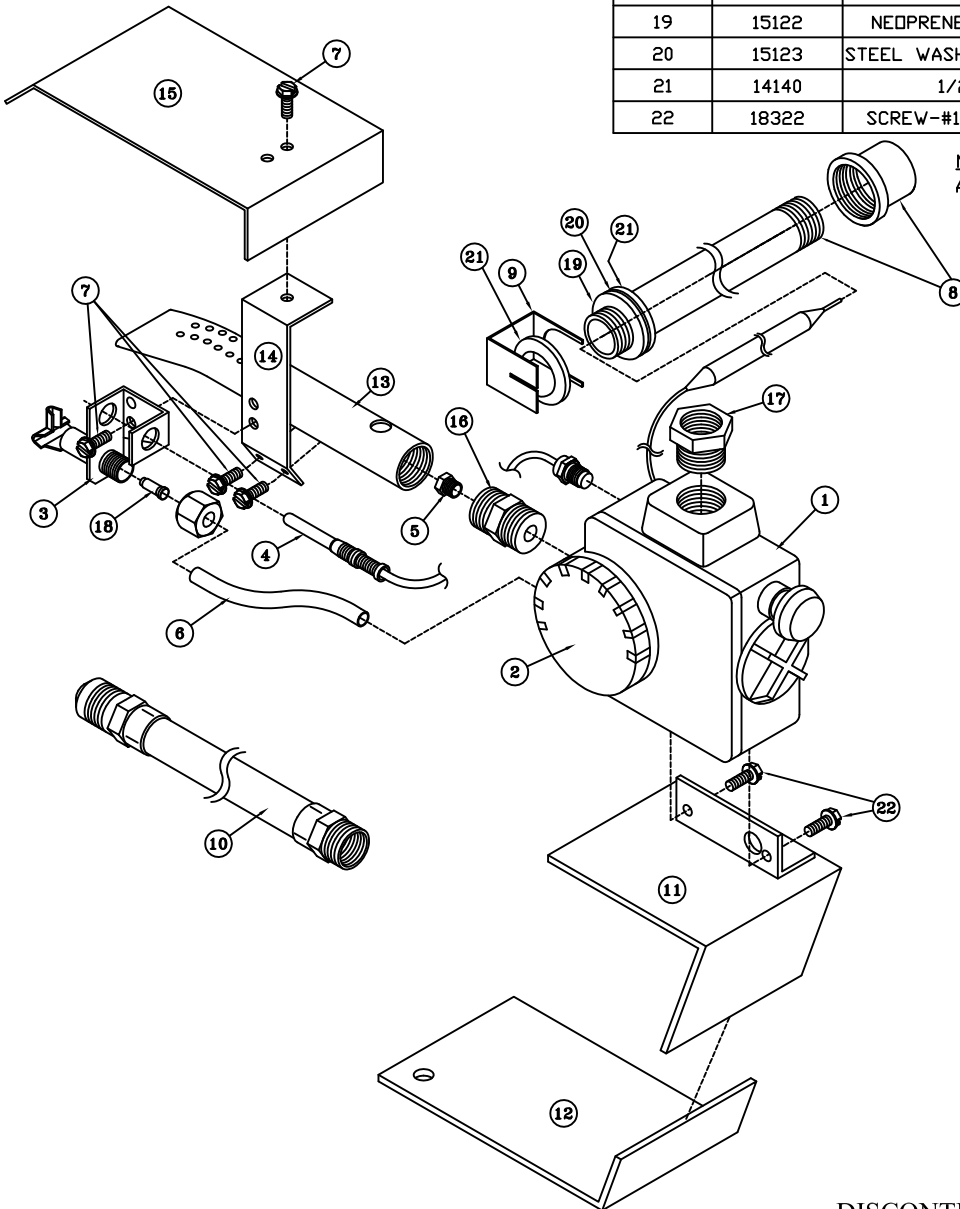
18603
DRAIN ADAPTER PKG
FOR COMB. UNITS

12582
UPPER TROUGH 18"
SUPPLY LINE ASSEMBLY
(FOR ALL COMB. UNITS)

GAS BURNER ASSEMBLY (15424)

INTRODUCED NOV. 1986

ITEM	PART NO.	DESCRIPTION	QTY
1	11869	110SS ROB-SHAW GAS VLV & THERM	1
2	15130	TEMP DIAL FOR 110SS Pkg	1 Pkg
3	14443	BRACKET AND PILOT ASSY	1
4	11797	THERMOCOUPLE 12"	1
5	14486	BURNER ORFICE LP AG82	1
6	15064	PILOT TUBE AG82	1
7	18321	SCREW 8-32 X 3/8 HH ZP 4/Pkg.	1 Pkg.
8	16980	PKG-PIPE NIPPLE AND CAP	1
9	18017	BRKT - THERMOSTAT TUBE	1
10	13988	BURNER HOSE ASSEMBLY 18"	1
11	15441	BASE-GAS BURNER	1
12	15442	STAND-GAS BURNER	1
13	15443	BURNER-GAS BURNER	1
14	15444	PILOT BRACKET-GAS BURNER	1
15	15445	COVER SHIELD-GAS BURNER	1
16	14487	ADPT 3/8-18 NPS X 11/16 BRASS	1
17	14495	BUSHING 3/8 X 1/2 STEEL	1
18	14200	.010 LP ORFICE PILOT	1
19	15122	NEOPRENE WASHER 3/4" 5/Pkg.	1 Pkg.
20	15123	STEEL WASHER 1 3/8 X 7/8 X .028	1
21	14140	1/2" CONDUIT NUT	1
22	18322	SCREW-#10-24 X 3/8 ZP 4/Pkg.	1 Pkg.



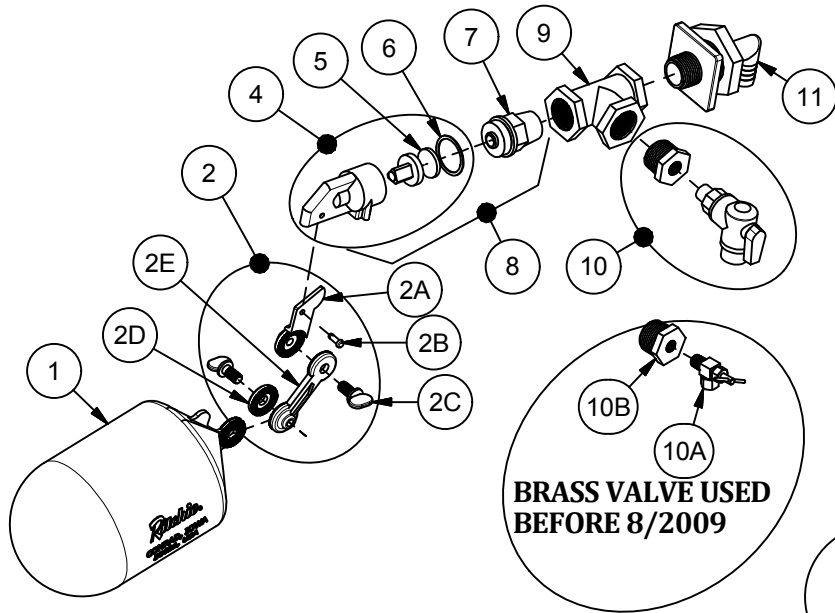
NOTE: BELLOWS TUBE AND MAGNET HOUSING ASSEMBLY ARE NOT AVAILABLE AS REPAIR PARTS.

DISCONTINUED 01/2018

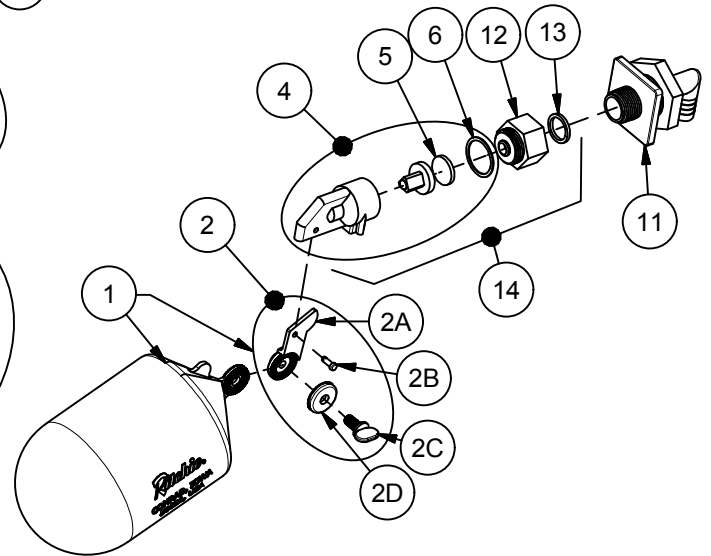
15424
1/2011

3/4" CATTLE VALVE & FLOAT CONFIGURATIONS

Obsolete



WaterMaster 96, 90, 54
2" Extension must be used on 96
and is optional on others

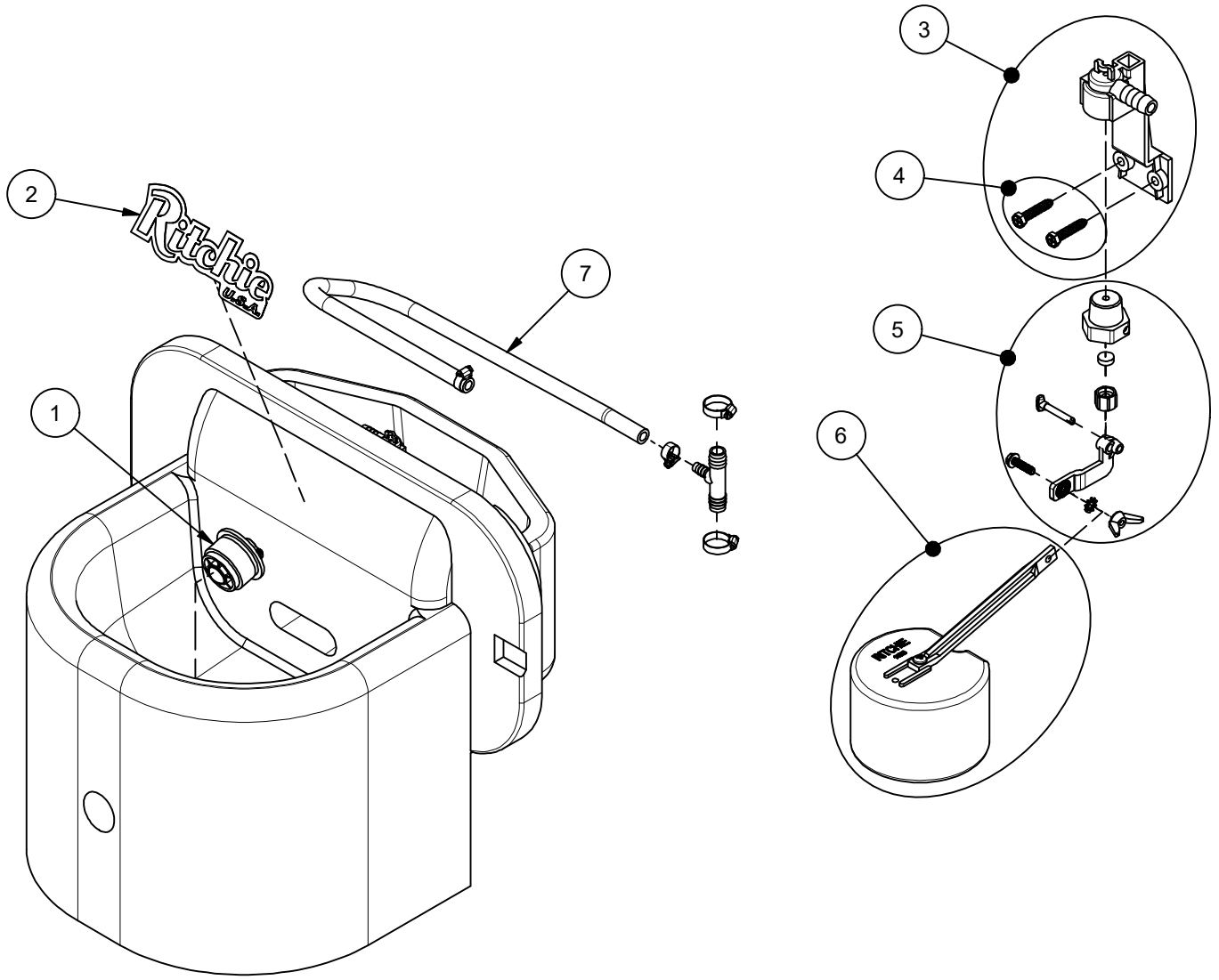


Thrifty King CT 6, and WaterMaster 800

Item	Part #	Description
1	18314	Float w/ Hardware pkg
2	18313	Hardware for Float pkg
2A	18629	Valve Cam (2/pkg)
2B	18631	Valve Pin (2/pkg)
2C	18630	Valve Screw (2/pkg)
2D	18450	Valve Washer (2/pkg)
2E	18636	Valve 2" Extension (2/pkg)
4	15259	Plunger, Rubber, Body, & Gasket pkg
5	15152	Valve Rubber 3/4" (10/pkg)
6	18397	Valve Gasket (5/pkg)
7	18606	Valve Red 3/4" Male pkg
	18622	Valve Green 3/4" Male pkg
	18626	Valve White 3/4" Male pkg
8	11101	Valve Red 3/4" Male with Body pkg
	15377	Valve Green 3/4" Male with Body pkg
	16697	Valve White 3/4" Male with Body pkg
9	16508	Adapter T-Fitting 3/4" pkg
10	18458	CF Adapter Valve PVC w/ Bushing pkg
10A	11793	CF Valve Brass 1/8" pkg
10B	16509	Reducer Bushing 1/8"x3/4" pkg
11	16422	Valve Bracket w/ Nut pkg
12	18605	Valve Red 3/4" Female pkg
	18623	Valve Green 3/4" Female pkg
13	18475	O-Ring Valve Seal pkg (4/pkg)
14	12570	Valve Red 3/4" Female w/ Body pkg
	16419	Valve Green 3/4" Female w/ Body pkg

Omni Combination Conversion

Part # 18800

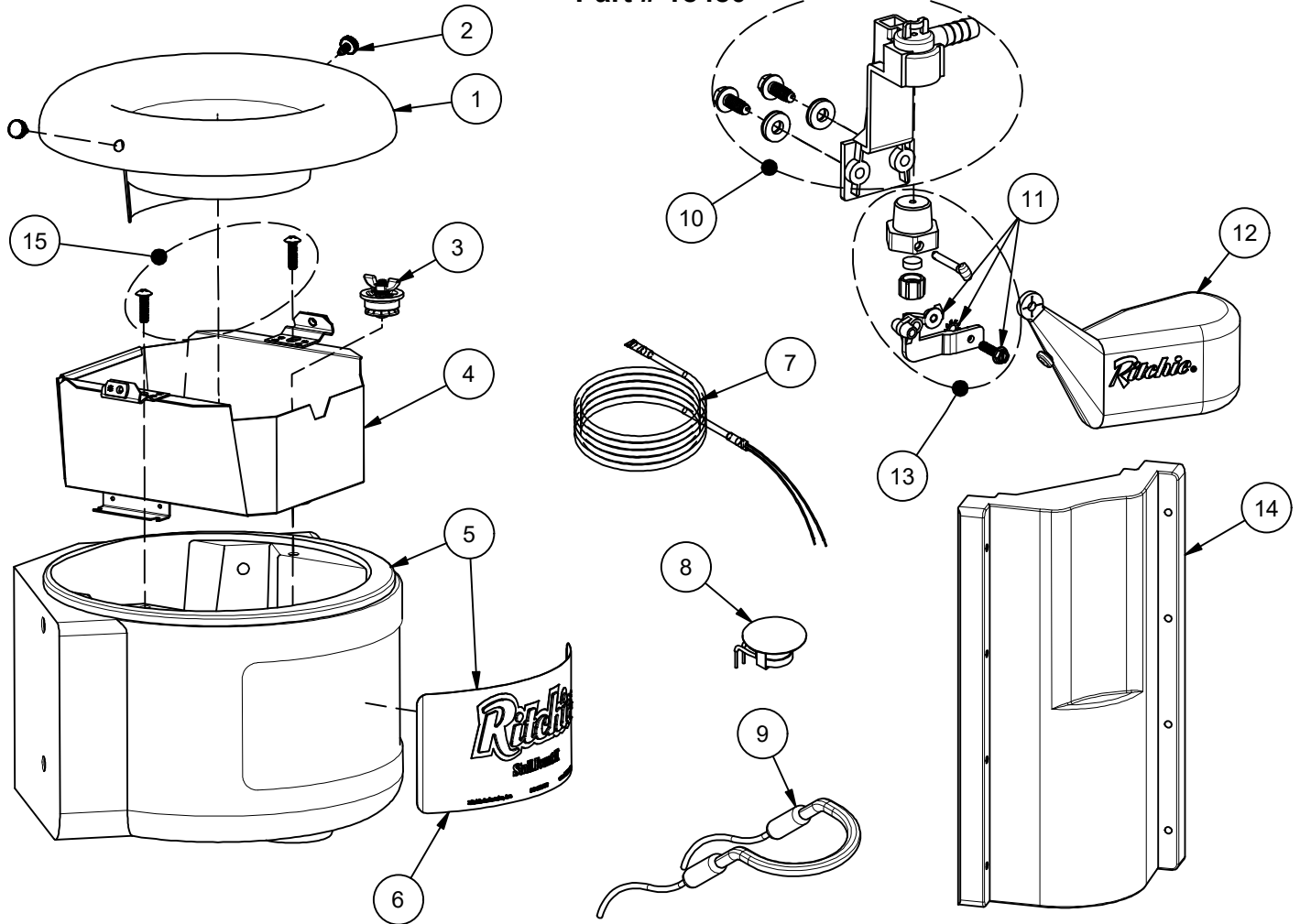


Item	Part #	Description	Qty	Item	Part #	Description	Qty
1	18849	Ritchie 2" Plug pkg	1 pkg	6	12836	Float with Long Arm pkg	1 pkg
2	18655	Ritchie Decal 7.5" (1/pkg)	1 pkg	7	18599	Hose 3/8" x 30" pkg	1 pkg
3	11515	Valve Bracket w/ screw pkg	1 pkg				
4	18709	Screw Valve Mount (4/pkg)	1 pkg	NS	15931	Hose Clamp SS (5/pkg)	1 pkg
5	12575	Red Valve 1/2" pkg	1 pkg	NS	18806	Omni Combo Accessory Pkg	1 pkg

DISCONTINUED 07/2022

Stall Fount II - 120V

Part # 18480

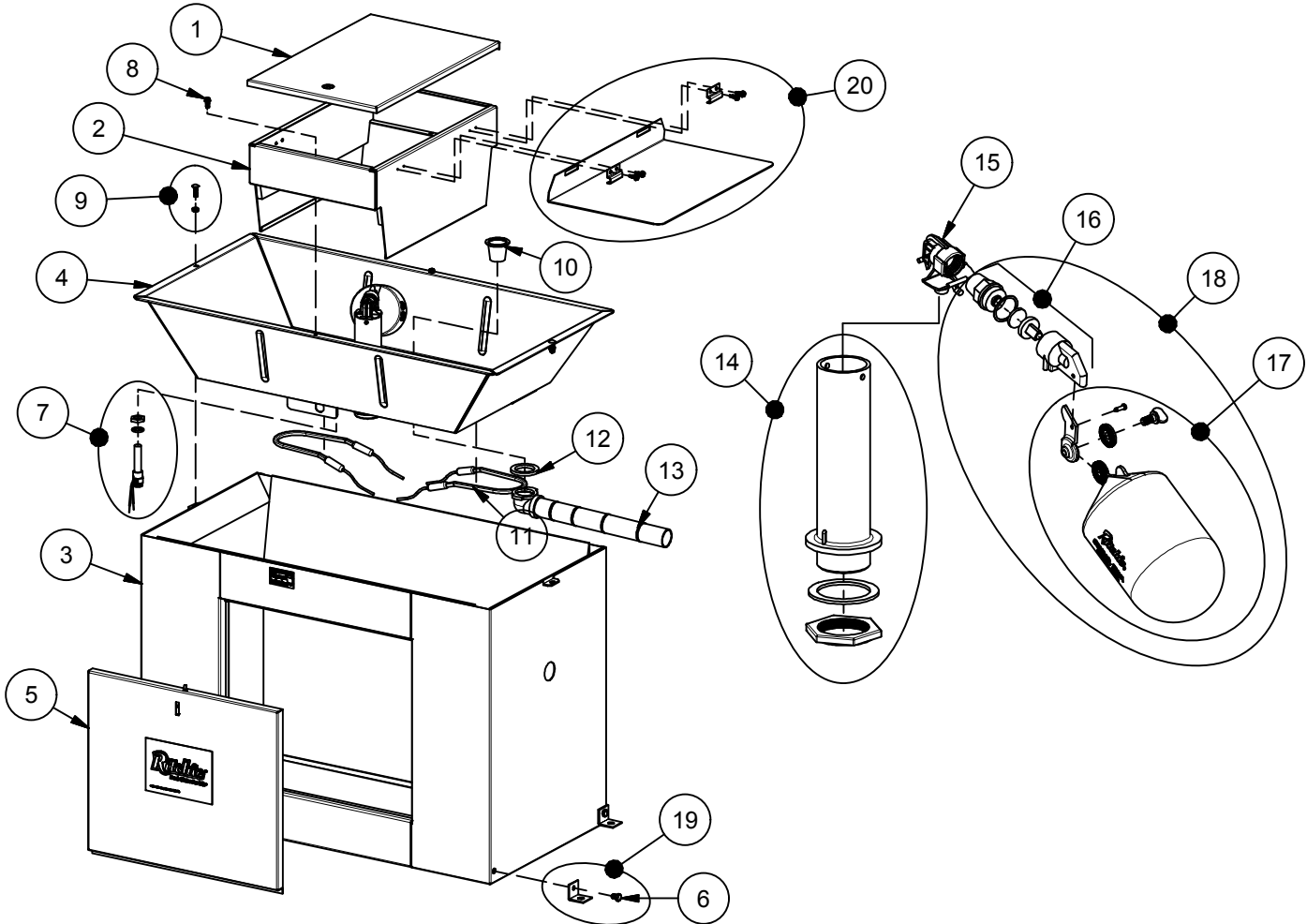


Item	Part #	Description	Qty	Item	Part #	Description	Qty
1	18486	Cover	1	12	18642	Float	1 pkg
2	18494	Screw Pkg - SF2 Cover (2/pkg)	1 pkg	13	13597	Valve Pkg. Green	1 pkg
3	18643	Drain Plug 1 1/2" Adj	1	14	18491	Shroud 30"	1
4	18477	Trough (120V/240V)	1	15	18878	Trough HD Screws (2/pkg)	1 pkg
	18487	Trough (No-Heat)	1	NS	18492	Shroud 20"	1
5	18482	Stall Fount II Base w/Label	1	NS	18613	Hose Barb Fitting	1 pkg
6	18644	Label SFII	1	NS	15931	Hose Clamp SS (5/pkg)	1 pkg
7	13830	Cable Heater 120V 48 Watt	1 pkg	NS	18488	Complete Accessory Pkg.	1 pkg
8	11885	Disc Thermostat Pkg.	1 pkg		18490	Stall Fount II - No Heat	
9	14150	Heater 120V 125 Watt	1 pkg		18481	Stall Fount II - 240V	
10	18641	Valve Bracket & Screws SF2	1 pkg	NS	16664	Heater 240V 200 Watt	1 pkg
11	12576	Wing Nut, Screw & Star Washer	1 pkg	NS	16424	Cable Heater 240V 48 Watt	1 pkg

DISCONTINUED 1/2017

#5E Cattle Fountain

Part # 16745

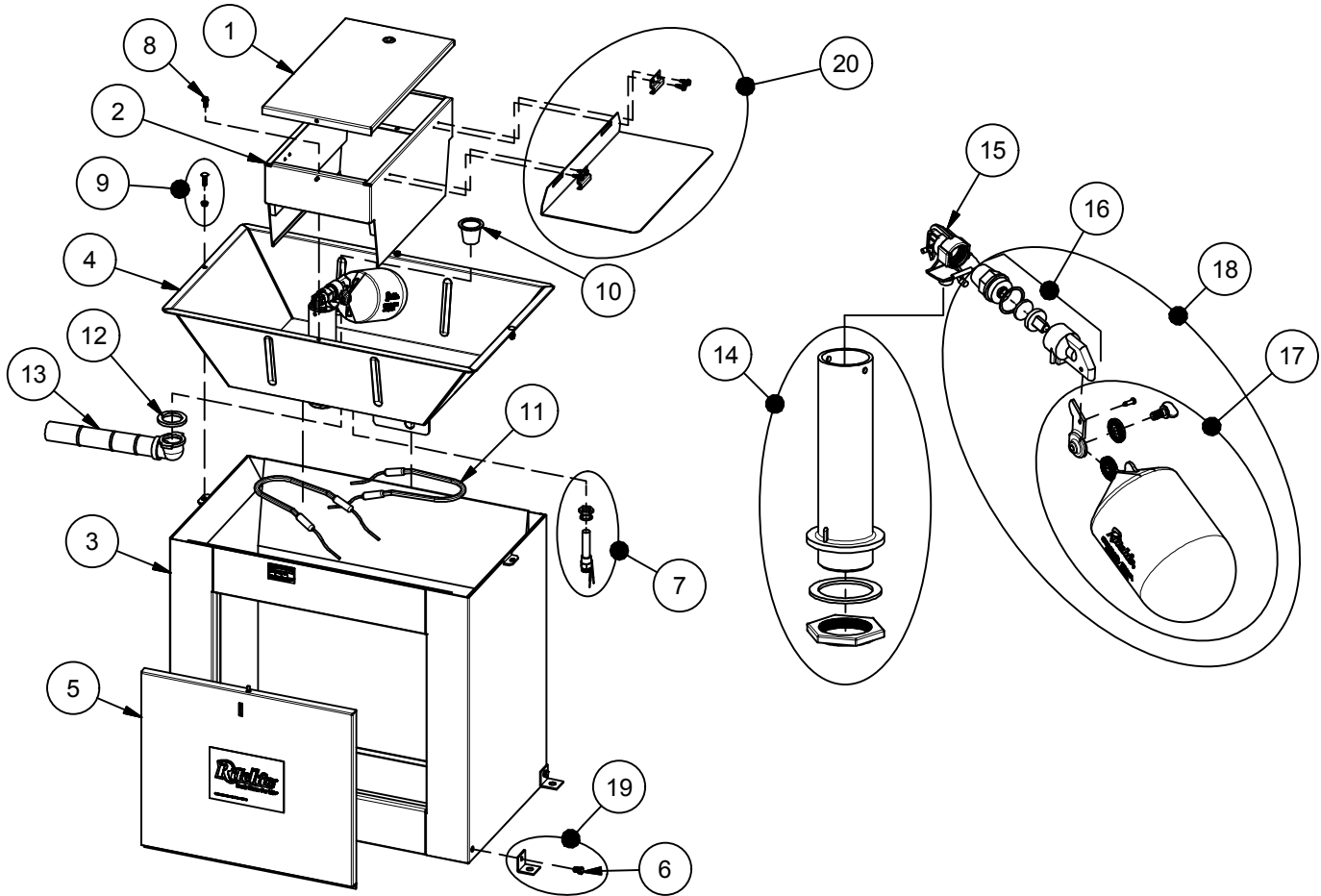


Item	Part #	Description	Qty	Item	Part #	Description	Qty
1	13374	5E Cover	1	15	11514	Valve Bracket 3/4" pkg	1 pkg
2	16590	5E Frame	1	16	15377	Green Male Valve 3/4" pkg	1 pkg
3	NA	5E Casing Pkg	1 pkg	17	18314	Float with Hardware pkg	1 pkg
4	16746	5E Trough pkg	1 pkg		18313	Hardware for Float pkg	1 pkg
5	11154	Access Pnl 17"x20" Assembled	1	18	16993	Green Valve & Float pkg	1 pkg
6	15299	Bolt 3/8"x1/2" SS (4/pkg)	1 pkg	19	13775	Hold Down Angle SS (4/pkg)	1 pkg
7	16534	Fenwal Thermostat SS pkg	1 pkg	20	16975	Flipper/Hinge (2/pkg) - Optional	1 PKG
	18320	O-Ring Fenwal (6/pkg)	1 pkg	NS	12583	Valve Supply Line pkg	1 pkg
	18074	Nut Brass Fenwal (6/pkg)	1 pkg	NS	13830	Cable Htr 120V 48W (1/pkg)	1 pkg
8	15154	Screw 1/4"x5/8" TC SS (10/pkg)	1 pkg	NS	NA	5E Casing Insulation pkg	1 pkg
9	18114	Trough Bolt & Nut (5/pkg)	1 pkg	NS	13790	5E Frame Insulation pkg	1 pkg
10	18628	Drain Plug (2/pkg)	1 pkg	NS	NA	5E Accessory pkg	1 pkg
11	11419	Heater 120V 250W (1/pkg)	2 pkg				
12	18075	Drain Washer (6/pkg)	1 pkg		16824	5E 240V	
13	11473	Drain Pipe with Elbow	1	NS	11403	Heater 240V 300W (1/pkg)	2 pkg
14	16629	Standpipe pkg	1 pkg	NS	16424	Cable Htr 240V 48W (1/pkg)	1 pkg

DISCONTINUED 1/2013

#3E Cattle Fountain

Part # 16743

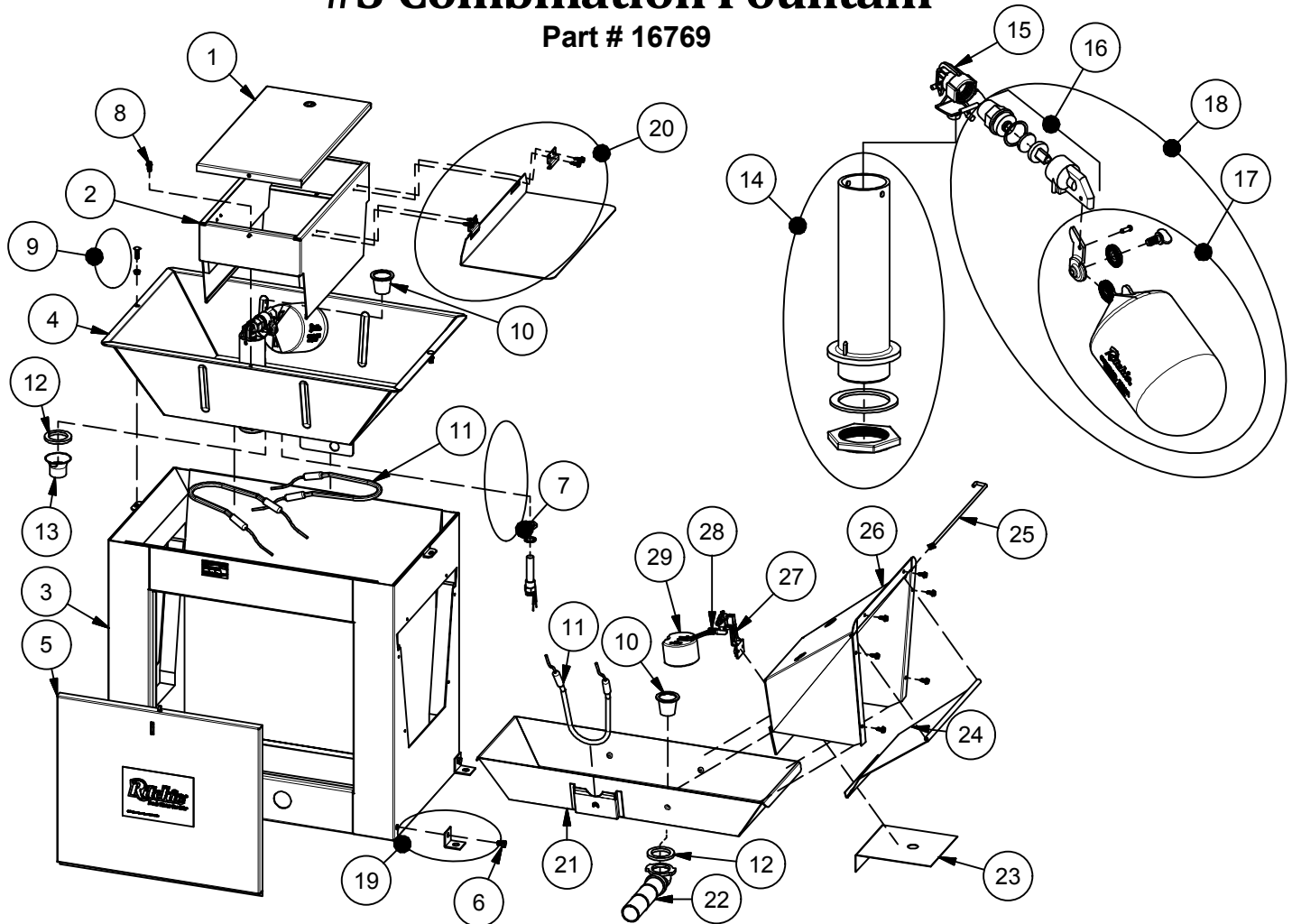


Item	Part #	Description	Qty	Item	Part #	Description	Qty	
1	13373	3E Cover	1	15	11514	Valve Bracket 3/4" pkg	1 pkg	
2	16589	3E Frame	1	16	15377	Green Male Valve 3/4" pkg	1 pkg	
3	NA	3E Casing Pkg	1 pkg	17	18314	Float with Hardware pkg	1 pkg	
4	16744	3E Trough pkg	1 pkg		18313	Hardware for Float pkg	1 pkg	
5	11154	Access Pnl 17"x20" Assembled	1	18	16993	Green Valve & Float pkg	1 pkg	
6	15299	Bolt 3/8"x1/2" SS (4/pkg)	1 pkg	19	13775	Hold Down Angle SS (4/pkg)	1 pkg	
7	16534	Fenwal Thermostat SS pkg	1 pkg	20	16974	Flipper/Hinge (2/pkg) - Optional	1 pkg	
	18320	O-Ring Fenwal (6/pkg)	1 pkg	NS	12583	Valve Supply Line pkg	1 pkg	
	18074	Nut Brass Fenwal (6/pkg)	1 pkg	NS	13830	Cable Htr 120V 48W (1/pkg)	1 pkg	
8	15154	Screw 1/4"x5/8" TC SS (10/pkg)	1 pkg	NS	NA	3E Casing Insulation pkg	1 pkg	
9	18114	Trough Bolt & Nut (5/pkg)	1 pkg	NS	13789	3E Frame Insulation pkg	1 pkg	
10	18628	Drain Plug (2/pkg)	1 pkg	NS	NA	3E Accessory pkg	1 pkg	
11	11419	Heater 120V 250W (1/pkg)	2 pkg		16826	3E 240V		
12	18075	Drain Washer (6/pkg)	1 pkg		NS	11403	Heater 240V 300W (1/pkg)	2 pkg
13	11472	Drain Pipe with Elbow	1	NS	16424	Cable Htr 240V 48W (1/pkg)	1 pkg	
14	16629	Standpipe pkg	1 pkg					

DISCONTINUED 1/2013

#3 Combination Fountain

Part # 16769

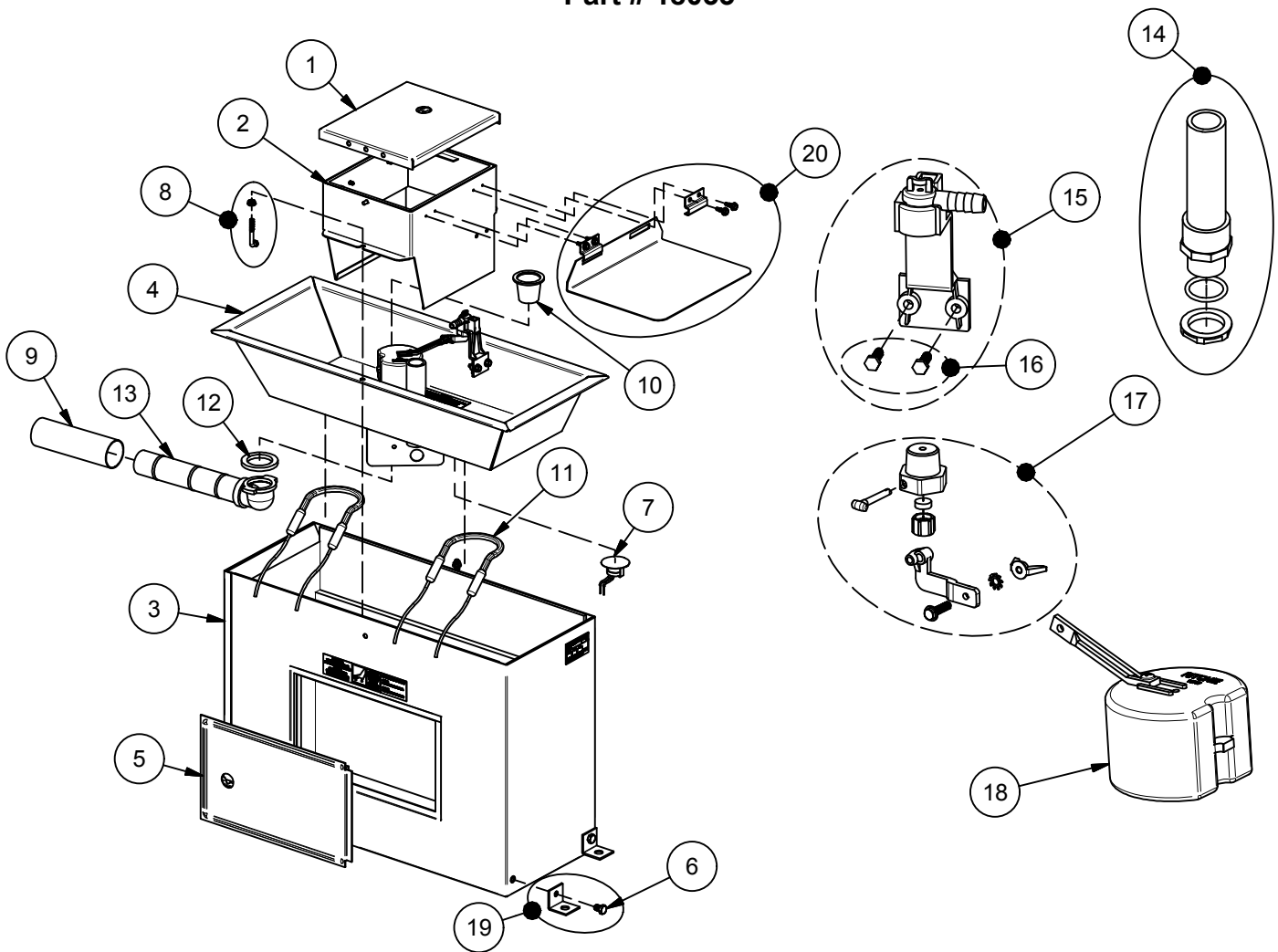


Item	Part #	Description	Qty	Item	Part #	Description	Qty
1	13373	3C Cover	1	18	16993	Green Valve & Float pkg	1 pkg
2	16589	3C Frame	1	19	13775	Hold Down Angle SS (4/pkg)	1 pkg
3	NA	3C Casing Pkg	1 pkg	20	16974	Flipper/Hinge (2/pkg) - Optional	1 pkg
4	16744	3C Trough pkg	1 pkg	21	16767	3C Lower Trough SS	1
5	11154	Access Pnl 17"x20" Assembled	1	22	11472	Drain Pipe with Elbow	1
6	15299	Bolt 3/8"x1/2" SS (4/pkg)	1 pkg	23	NA	Grate - Clean out	2
7	16534	Fenwal Thermostat SS pkg	1 pkg	24	12801	Swing Door w/Rod	2
	18320	O-Ring Fenwal (6/pkg)	1 pkg	25	13166	Rod with Nut for Swing Door	2
	18074	Nut Brass Fenwal (6/pkg)	1 pkg	26	NA	3C Innerhood	2
8	15154	Screw 1/4"x5/8" TC SS (10/pkg)	1 pkg	27	11515	Valve Bracket 1/2" w/ screws	1 pkg
9	18114	Trough Bolt & Nut (5/pkg)	1 pkg	28	12575	Red Valve 1/2"	1 pkg
10	18628	Drain Plug (2/pkg)	1 pkg	29	13613	Float with Short Arm	1 pkg
11	11419	Heater 120V 250W (1/pkg)	3 pkg	NS	12583	Valve Supply Line pkg	1 pkg
12	18075	Drain Washer (6/pkg)	1 pkg	NS	13830	Cable Htr 120V 48W (1/pkg)	1 pkg
13	18603	Drain Fitting Flared	1	NS	NA	3C Casing Insulation pkg	1 pkg
14	16629	Standpipe pkg	1 pkg	NS	13789	3E Frame Inulation pkg	1 pkg
15	11514	Valve Bracket 3/4" pkg	1 pkg	NS	18326	3C Accessory pkg	1 pkg
16	15377	Green Male Valve 3/4" pkg	1 pkg		16816	3C 240V	
17	18314	Float with Hardware pkg	1 pkg	NS	11403	Heater 240V 300W (1/pkg)	2 pkg
	18313	Hardware for Float pkg	1 pkg	NS	16424	Cable Htr 240V 48W (1/pkg)	1 pkg

DISCONTINUED 1/2013

2AC

Part # 18033

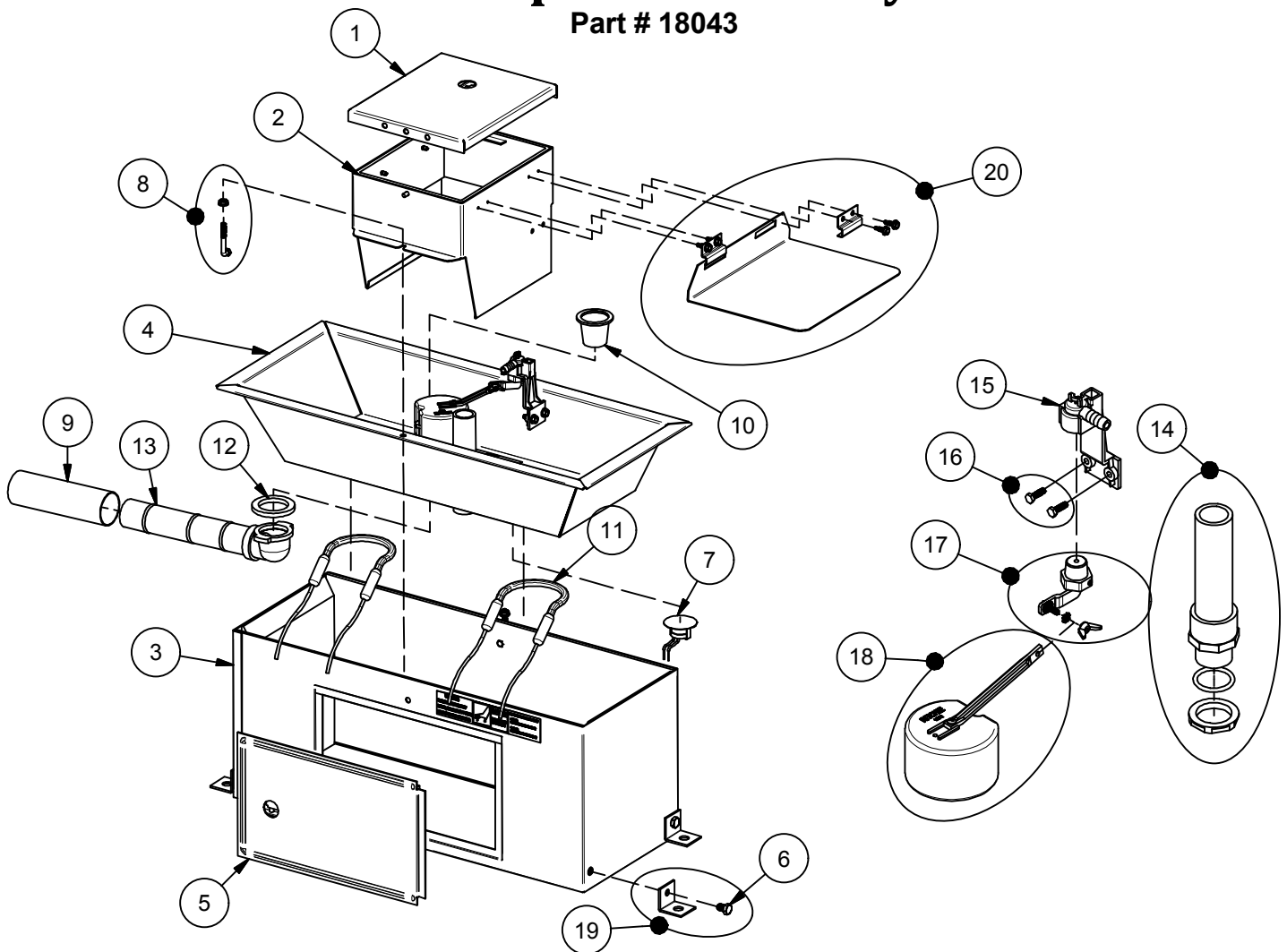


Item	Part #	Description	Qty	Item	Part #	Description	Qty
1	13379	2AC Cover	1	15	11515	Valve Bracket 1/2" w/ Scrws pkg	1 pkg
2	13449	2AC Frame pkg	1 pkg	16	15154	Screws Valve Bracket (6/ pkg)	1 pkg
3	NA	2AC Casing	1 pkg	17	12575	Red Valve 1/2" pkg	1 pkg
4	18036	2AC Trough	1 pkg	18	13613	Float with Short Arm pkg	1 pkg
5	12140	Access Panel 8" Assembly	1	19	13775	Hold Down Angle SS (4/pkg)	1 pkg
6	15299	Bolt 3/8"x1/2" SS (4/pkg)	1 pkg	20	16973	Flipper/Hinge (2/pkg) - Optional	1 pkg
7	11885	Disc Thermostat pkg	1 pkg	NS	13830	Cable Htr 120V 48W (1/pkg)	1 pkg
8	15158	J-Bolt & Nut ZP (10/pkg)	1 pkg	NS	18323	2AC Accessory pkg	1 pkg
9	17500	Drain Pipe Guard	1	NS	NA	2AC Casing Insulation pkg	1 pkg
10	18628	Drain Plug (2/pkg)	1 pkg	NS	13850	2AC Frame Insulation pkg	1 pkg
11	14150	Heater 120V 125W (1/pkg)	2 pkg				
12	18075	Drain Washer (6/pkg)	1 pkg		16839	2AC 240V	
13	11471	Drain Pipe with Elbow	1	NS	16664	Heater 240V 200W (1/pkg)	2 pkg
14	16866	Standpipe pkg	1 pkg	NS	16424	Cable Htr 240V 48W (1/pkg)	1 pkg

DISCONTINUED 1/2013

2AC Special Assembly

Part # 18043

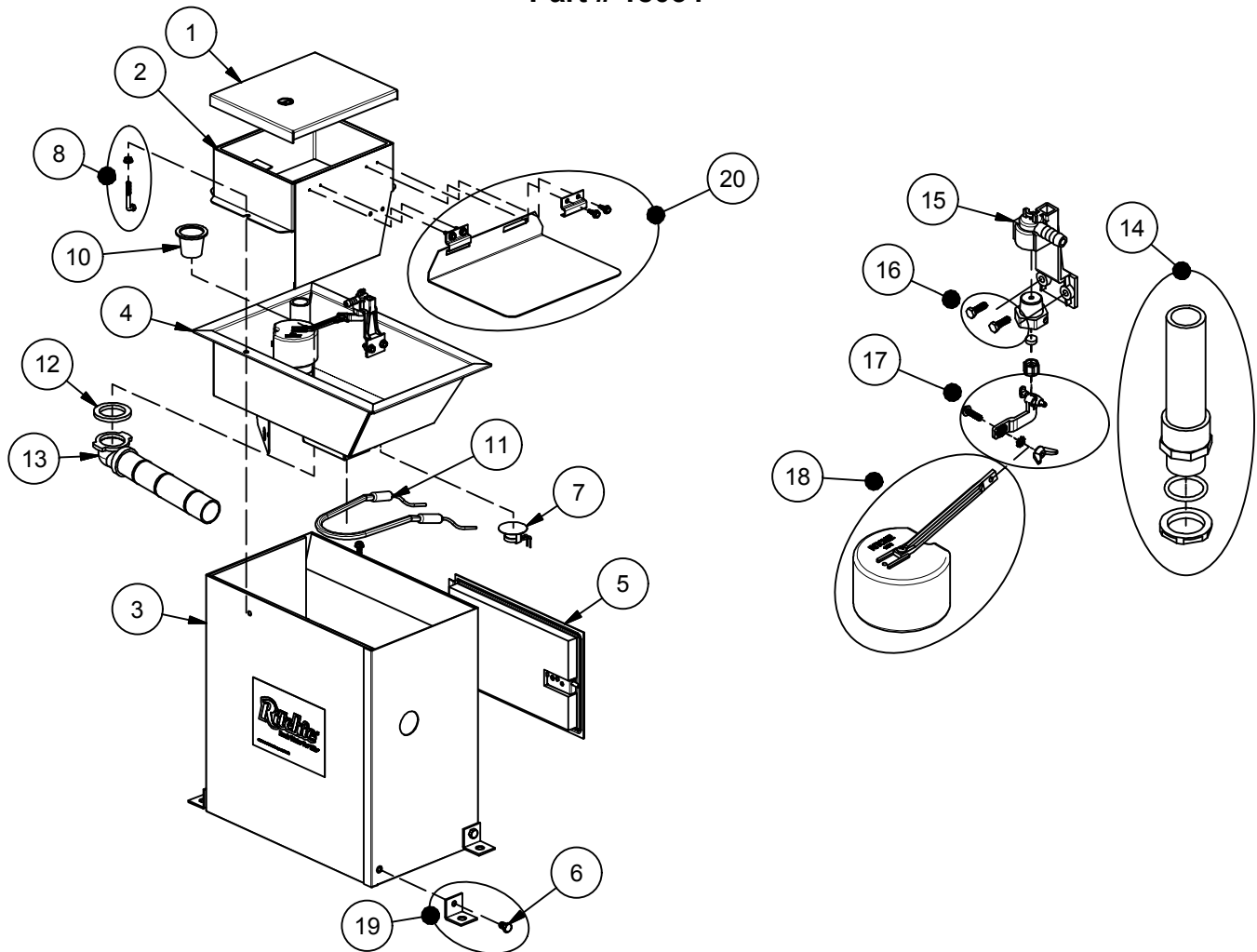


Item	Part #	Description	Qty	Item	Part #	Description	Qty
1	13379	2AC Cover	1	15	11515	Valve Bracket 1/2" w/ Scrws pkg	1 pkg
2	13449	2AC Frame pkg	1 pkg	16	15154	Screws Valve Bracket (6/ pkg)	1 pkg
3	18058	2AC SP Casing	1 pkg	17	12575	Red Valve 1/2" pkg	1 pkg
4	18036	2AC Trough	1 pkg	18	13613	Float with Short Arm pkg	1 pkg
5	12140	Access Panel 8" Assembly	1	19	13775	Hold Down Angle SS (4/pkg)	1 pkg
6	15299	Bolt 3/8"x1/2" SS (4/pkg)	1 pkg	20	16973	Flipper/Hinge (2/pkg) - Optional	1 pkg
7	11885	Disc Thermostat pkg	1 pkg	NS	13830	Cable Htr 120V 48W (1/pkg)	1 pkg
8	15158	J-Bolt & Nut ZP (10/pkg)	1 pkg	NS	18323	2AC Accessory pkg	1 pkg
9	17500	Drain Pipe Guard	1	NS	18059	2AC SP Casing Insulation pkg	1 pkg
10	18628	Drain Plug (2/pkg)	1 pkg	NS	13850	2AC Frame Insulation pkg	1 pkg
11	14150	Heater 120V 125W (1/pkg)	2 pkg				
12	18075	Drain Washer (6/pkg)	1 pkg		18420	2AC Special 240V	
13	11471	Drain Pipe with Elbow	1	NS	16664	Heater 240V 200W (1/pkg)	2 pkg
14	16866	Standpipe pkg	1 pkg	NS	16424	Cable Htr 240V 48W (1/pkg)	1 pkg

DISCONTINUED 1/2013

1AC

Part # 18034

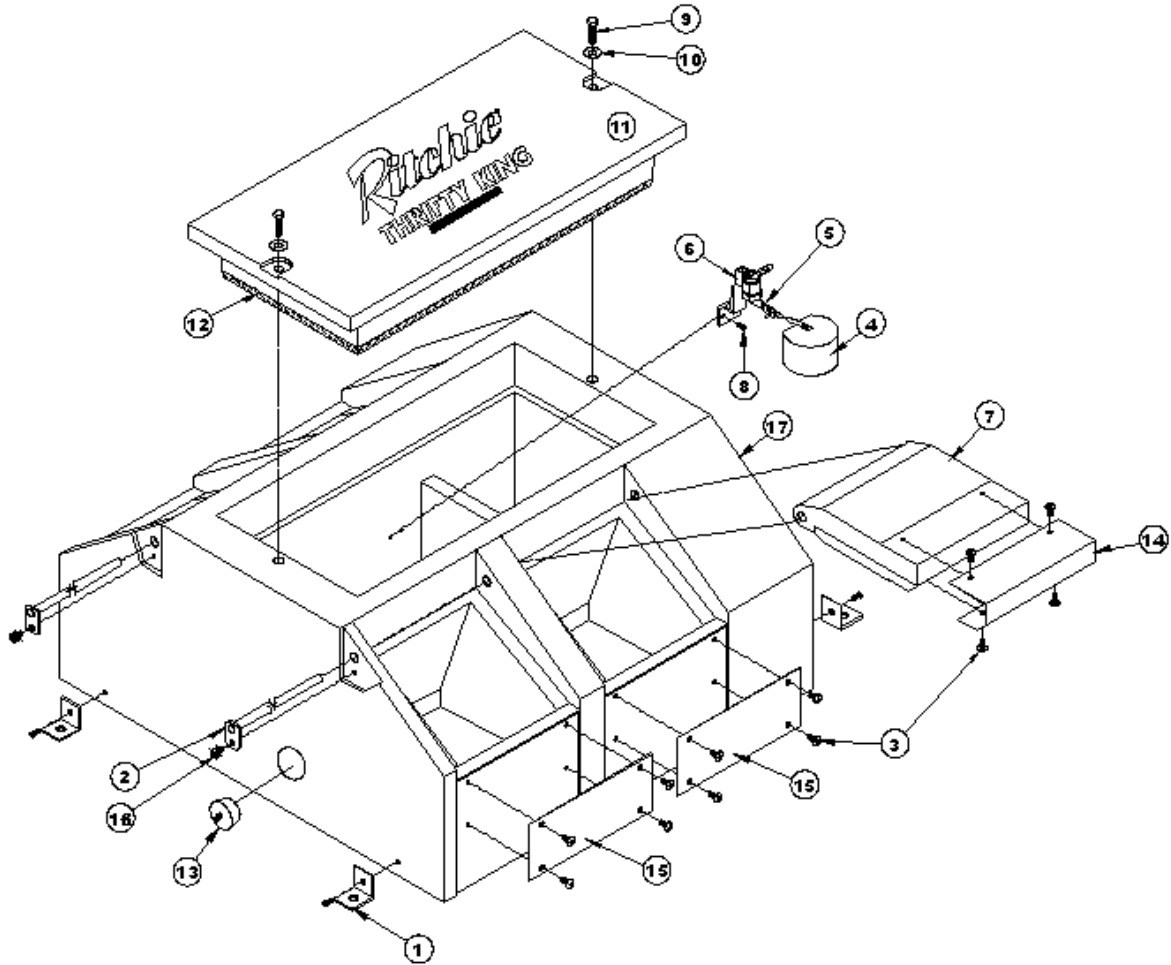


Item	Part #	Description	Qty	Item	Part #	Description	Qty
1	13379	1AC Cover	1	16	15154	Screws Valve Bracket (6/ pkg)	1 pkg
2	18039	1AC Frame pkg	1 pkg	17	12575	Red Valve 1/2" pkg	1 pkg
3	18037	1AC Casing	1 pkg	18	13613	Float with Short Arm pkg	1 pkg
4	18038	1AC Trough	1 pkg	19	13775	Hold Down Angle SS (4/pkg)	1 pkg
5	12140	Access Panel 8" Assembly	1	20	16972	Flipper/Hinge (1/pkg) - Optional	1 pkg
6	15299	Bolt 3/8"x1/2" SS (4/pkg)	1 pkg	NS	13830	Cable Htr 120V 48W (1/pkg)	1 pkg
7	11885	Disc Thermostat pkg	1 pkg	NS	18323	1AC Accessory pkg	1 pkg
8	15158	J-Bolt & Nut ZP (10/pkg)	1 pkg	NS	15651	1AC Casing Insulation pkg	1 pkg
10	18628	Drain Plug (2/pkg)	1 pkg	NS	13850	1AC Frame Insulation pkg	1 pkg
11	11419	Heater 120V 250W (1/pkg)	1 pkg				
12	18075	Drain Washer (6/pkg)	1 pkg		16841	1AC 240V	
13	11471	Drain Pipe with Elbow	1	NS	11403	Heater 240V 300W (1/pkg)	1 pkg
14	16866	Standpipe pkg	1 pkg	NS	16424	Cable Htr 240V 48W (1/pkg)	1 pkg
15	11515	Valve Bracket 1/2" w/ Scrws pkg	1 pkg				

DISCONTINUED 1/2013

Thrifty King for Swine HG4

Part # 16260



Item	Part #	Description	Qty	Item	Part #	Description	Qty
1	13775	SS Hold Down Angles. (4/Pkg)	1 Pkg.	12	14866	Weather Stripping 10' Roll	2
2	16325	Hinge Rod – TKHG4	2	13	18219	Drain #11 Plug Pkg.	1 Pkg.
3	18071	¼-20 x ½ Truss Head Screw 6/Pkg.	1 Pkg.	14	16264	Guard – Lid TK Hog	4
4	13613	Float W/ Short Arm	1 Pkg.	15	16265	Guard – Base Hog	4
5	12575	½" Red Valve Pkg.	1 Pkg.	16	15155	¼-20 x ½ Hex Head Screw 10/Pkg.	1 Pkg.
6	11515	½" Valve Bracket Pkg.	1 Pkg.	17	16579	Foamed HG4 Base	1
7	16266	Lifting Lid-TKHG W/Guard	4	NS	15930	3/8" Hose Clamp Pkg. SS	1 Pkg.
8	18066	10-24 x ¾ Hex Head Screw SS 6/Pkg.	1 Pkg.	NS	12420	Hose – 3/8" x 25 ft	1
9	18069	3/8-16 x 1-1/4 Bolt SS 6/Pkg.	1 Pkg.	NS	14859	Pipe Insulation TK	1
10	18073	3/8" Flat Washer SS 6/Pkg.	1 Pkg.	NS	16263	Complete Accessory Pkg.	1 Pkg.
11	16268	Access Cover TKHG 4 W/Seal	1	NS	14261	3/8" Anchor Bolt SS-Not Included	2Pkg.

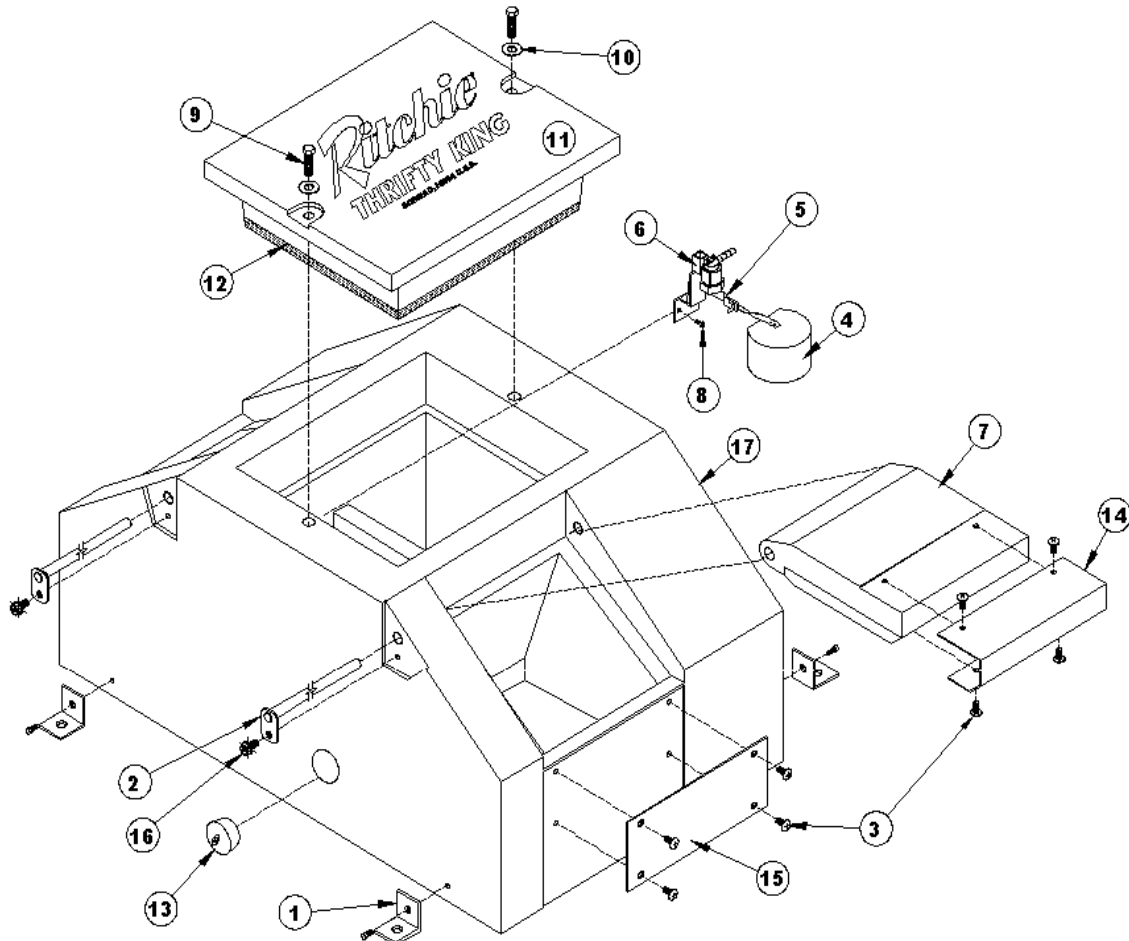
NS = Not Shown

Italicized text = Not Included or optional configuration add-ons

DISCONTINUED 07/2022

Thrifty King for Swine HG2

Part # 16259



Item	Part #	Description	Qty	Item	Part #	Description	Qty
1	13775	SS Hold Down Angles. (4/Pkg)	1 Pkg.	12	14866	Weather Stripping 10 ft Roll	1
2	16324	Hinge Rod – TKHG2	2	13	18219	Drain #11 Plug Pkg.	1 Pkg.
3	18071	¼-20 x ½ Truss Head Screw 6/Pkg.	1 Pkg.	14	16264	Guard – Lid TK Hog	2
4	13613	Float W/ Short Arm	1 Pkg.	15	16265	Guard – Base TK Hog	2
5	12575	½" Red Valve Pkg.	1 Pkg.	16	15155	¼-20 x ½ Hex Head Screw 10/Pkg.	1 Pkg.
6	11515	½" Valve Bracket Pkg.	1 Pkg.	17	16577	Foamed Base	1
7	16266	Lifting Lid-TKHG W/Guard	2	NS	15930	3/8" Hose Clamp Pkg. SS	1 Pkg.
8	18066	10-24 x ¾ Hex Head Screw SS 6/Pkg.	1 Pkg.	NS	12420	Hose – 3/8" x 25 ft	1
9	18069	3/8"-16 x 1-1/4 Bolt SS 6/Pkg.	1 Pkg.	NS	14859	Pipe Insulation TK	1
10	18073	3/8" Flat Washer SS 6/Pkg.	1 Pkg.	NS	16263	Complete Accessory Pkg.	1 Pkg.
11	16267	Access Cover TKHG2 W/Seal	1	NS	14261	3/8" Anchor Bolt SS-Not Included	2Pkg.

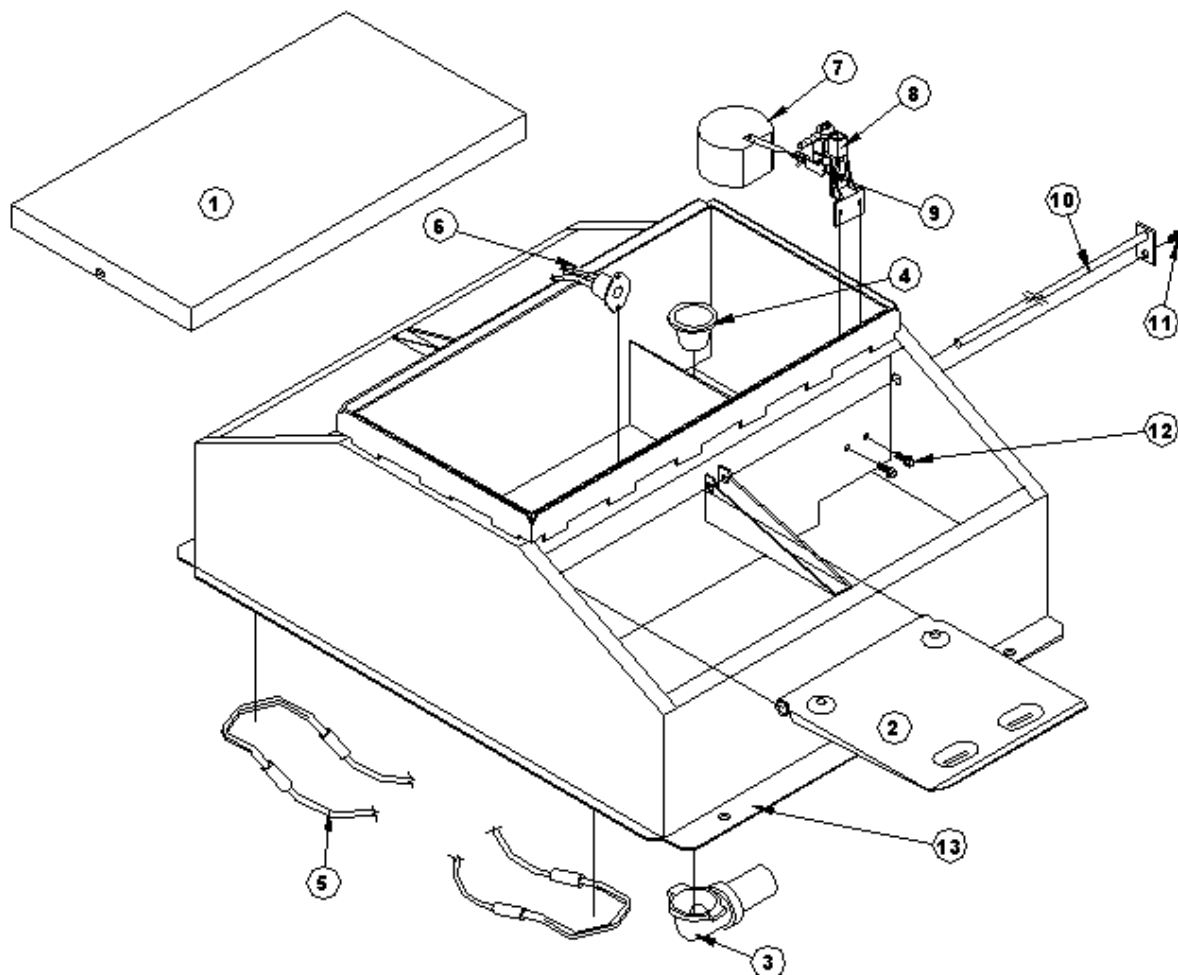
NS = Not Shown

Italicized text = Not Included or optional configuration add-ons

DISCONTINUED 07/2022

Pork King 4

Part # 16459



Item	Part #	Description	Qty	Item	Part #	Description	Qty
1	16451	Cover – PK 4	1	12	15154	Screw – Valve Bracket (10/Pkg.)	1 Pkg.
2	16092	Lifting Lid Only PK	4	13	16576	Casing W/Insulation	1
3	16172	Drain W/Elbow	1	NS	16366	Insulation Pkg.	1 Pkg.
4	18628	Drain Plug (2/Pkg.)	1 Pkg.	NS	13830	48W Cable Heater (120 Volt)	1 Pkg.
5	14150	125W Element (120 Volt)	4 Pkg.	NS	12584	Supply Hose Assembly	1 Pkg.
6	11885	Disc Thermostat	1 Pkg.	NS	18075	Drain Washers (6/Pkg.)	1 Pkg.
7	13613	Float W/ Short Arm	1 Pkg.	NS	16128	Complete Accessory Pkg.	1 Pkg.
8	11515	Valve Bracket 1/2" Pkg.	1 Pkg.	For 240 Volt Pork King 4 Part #16845, See Parts Below			
9	12575	Red Valve 1/2" Pkg.	1 Pkg.				
10	16326	Hinge Rod Only PK4	2	NS	16664	200W Element (240 Volt)	4 Pkg.
11	15155	Screw – Hinge Rod (10/Pkg.)	1 Pkg.	NS	16424	48W Cable Heater (240 Volt)	1 Pkg.

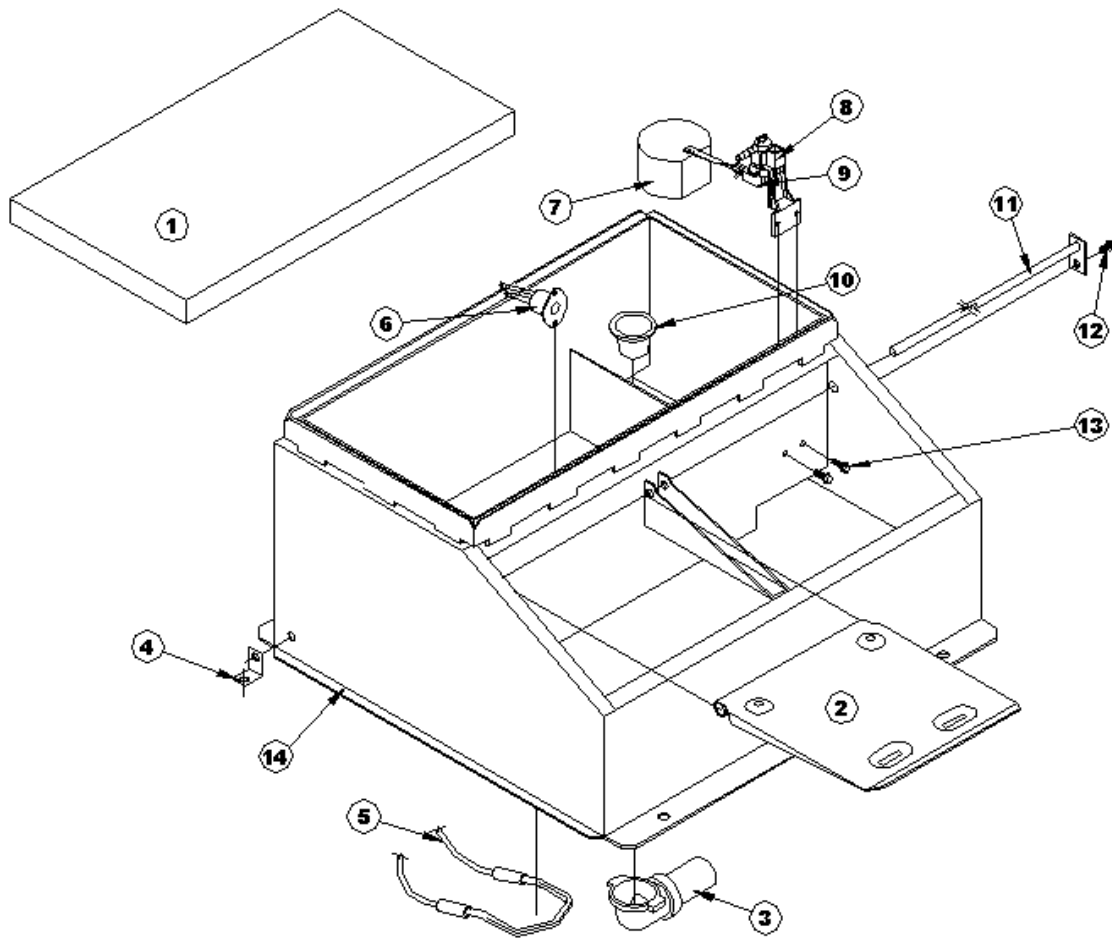
NS = Not Shown

Italicized text = Not included or optional configuration add-ons

DISCONTINUED 07/2022

Pork King 2-1

Part # 16458

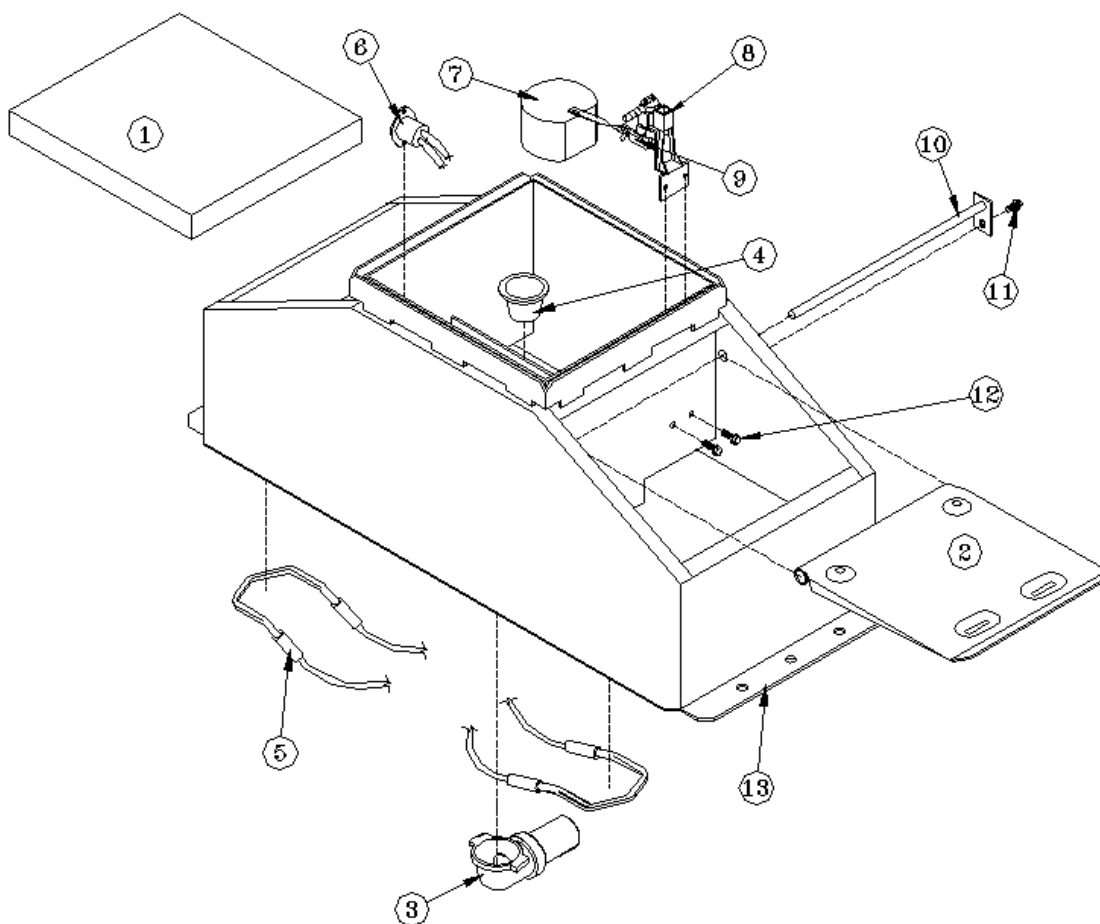


Item	Part #	Description	Qty	Item	Part #	Description	Qty
1	16451	Cover – PK 2-1	1	12	15155	Screw Hinge Rod (10/Pkg.)	1 Pkg.
2	16092	Lifting Lid Only – PK	2	13	15154	Screw – Valve Bracket (10/Pkg.)	1 Pkg.
3	16172	Drain W/Elbow	1	14	16575	Casing W/Insulation	1
4	13775	SS Hold Down W/Bolt (4/Pkg.)	1 Pkg.	NS	16365	Insulation Pkg.	1 Pkg.
5	14150	125 W Element (120 Volt)	2 Pkg.	NS	13830	48W Cable Heater (120 Volt)	1 Pkg.
6	11885	Disc Thermostat	1 Pkg.	NS	12584	Supply Hose Assembly	1 Pkg.
7	13613	Float W/ Short Arm	1 Pkg.	NS	18075	Drain Washers (6/Pkg.)	1 Pkg.
8	11515	½” Valve Bracket Pkg.	1 Pkg.	NS	16123	Complete Accessory Pkg.	1 Pkg.
9	12575	½” Red Valve Pkg.	1 Pkg.	For 240 Volt Pork King 2-1 Part #16846, See Parts Below			
10	18628	Drain Plug (2/Pkg.)	1 Pkg.	NS	16664	200W Element (240 Volt)	2 Pkg.
11	16326	Hinge Rod Only PK 2-1	1	NS	16424	48W Cable Heater (240 Volt)	1 Pkg.

DISCONTINUED 07/2022

Pork King 2

Part # 16457



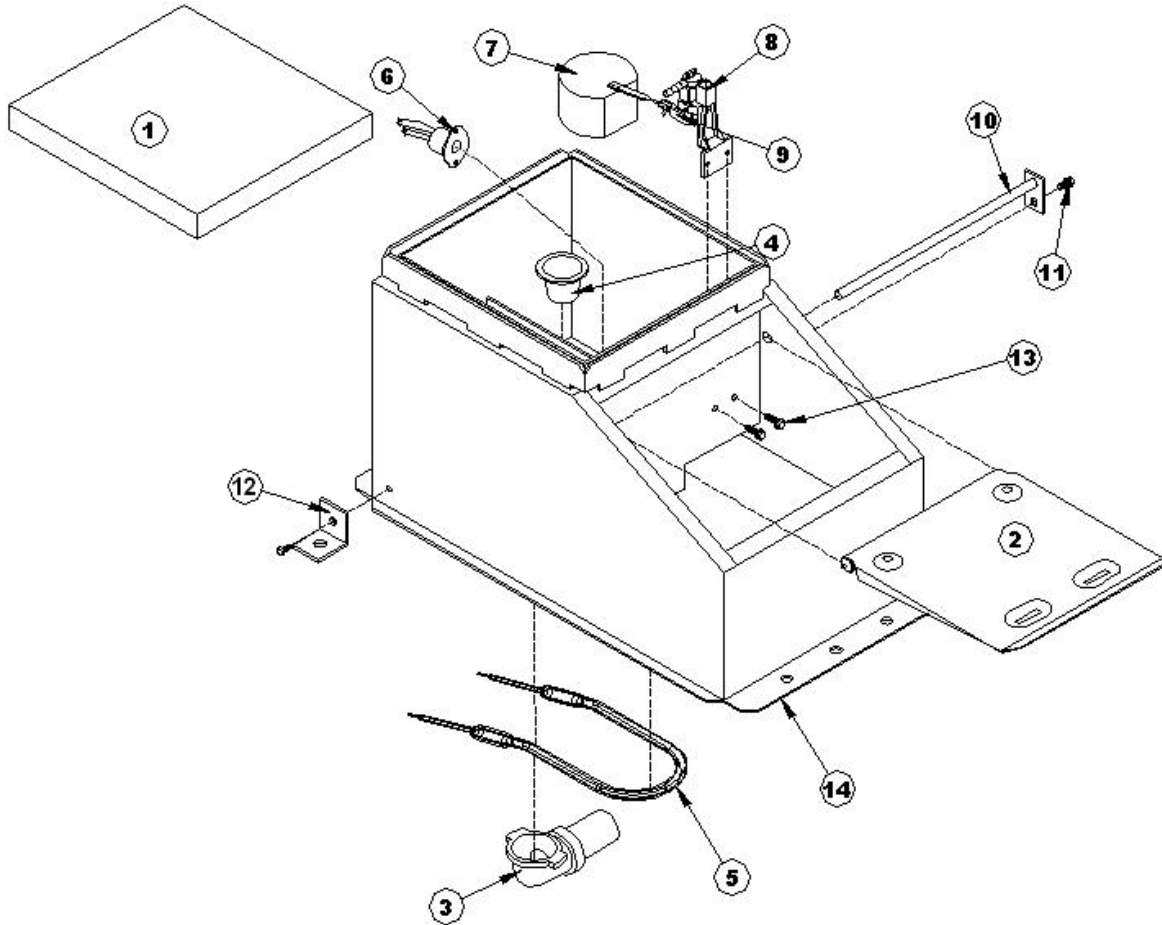
Item	Part #	Description	Qty	Item	Part #	Description	Qty
1	16449	Cover – PK2	1	12	15154	Screw – Valve Bracket (10/Pkg.)	1 Pkg.
2	16092	Lifting Lid Only – PK	2	13	16574	Casing W/Insulation	1
3	16172	Drain W/Elbow	1	NS	16364	Insulation Pkg.	1 Pkg.
4	18628	Drain Plug (2/Pkg.)	1 Pkg.	NS	13830	48W Cable heater (120 Volt)	1 Pkg.
5	14150	125 W Element (120 Volt)	2 Pkg.	NS	12584	Supply Hose Assembly	1 Pkg.
6	11885	Disc Thermostat	1 Pkg.	NS	18075	Drain Washers (6/Pkg.)	1 Pkg.
7	13613	Float W/ Short Arm	1 Pkg.	NS	16128	Complete Accessory Pkg.	1 Pkg.
8	11515	½” Valve Bracket Pkg.	1 Pkg.	For 240 Volt Pork King 2 Part #16847, See Parts Below			
9	12575	½” Red Valve Pkg.	1 Pkg.				
10	16093	Hinge Rod Only – PK2	2	NS	16664	200W Element (240 Volt)	2 Pkg.
11	15155	Screw – Hinge Rod (10/Pkg.)	1 Pkg.	NS	16424	48W Cable Heater (240 Volt)	1 Pkg.

NS= Not Shown *Italicized text = Not included or optional configuration add-ons*

DISCONTINUED 07/2022

Pork King 1

Part # 16456



Item	Part #	Description	Qty	Item	Part #	Description	Qty
1	16449	Cover – PK1	1	12	13775	SS Hold Down W/Bolt (4/Pkg.)	1 Pkg.
2	16092	Lifting Lid Only – PK	1	13	15154	Screw – Valve Bracket (10 Pkg.)	1 Pkg.
3	16172	Drain W/Elbow	1	14	16573	Casing W/Insulation	1
4	18628	Drain Plug (2/Pkg.)	1 Pkg.	NS	16363	Insulation Pkg.	1 Pkg.
5	11419	250W Element (120 Volt)	1 Pkg.	NS	12584	Supply Hose Assembly	1 Pkg.
6	11885	Disc Thermostat	1 Pkg.	NS	18075	Drain Washers (6/Pkg.)	1 Pkg.
7	13613	Float W/ Short Arm	1 Pkg.	NS	16123	Complete Accessory Pkg..	1 Pkg.
8	11515	½" Valve Bracket Pkg.	1 Pkg.	For 240 Volt Pork King 1 Part #16848, See Parts Below			
9	12575	½" Red Valve Pkg.	1 Pkg.	NS	11403	300W Element (240 Volt)	1 Pkg.
10	16093	Hinge Rod Only – PK1	1	NS	16424	48W Cable Heater (240 Volt)	1 Pkg.
11	15155	Screw – Hinge Rod (10/Pkg.)	1 Pkg.				

NS = Not Shown

Italicized text = Not included or optional configuration add-ons

DISCONTINUED 07/2022